

HYOSUNG



TE 50

ATV • (WOW 50)

Reserveedele

Scanmi varenr.: 9001061



ScanMI APS

SCANDINAVIAN MACHINERY IMPORT

Skovbyvej 99, Skovby

6470 Sydals

Telefon: +45 73 15 11 00

Fax: +45 73 15 11 01

E-mail: info@scanmi.dk

www.scanmi.dk

CVR: 27 73 31 07

REFERENCE

1.The detailed specifications of each model are referred by the persons who are in charge of overseas marketing team, Hyosung.

2.Special demand

When you order any colored parts, please add color code to the end of parts number and it will be helpful to register your parts order.

※ Color code

CBY : BLUE + YELLOW

CSY : COLORED SCIENCE YELLOW

CYB : YELLOW + BLACK

HYOSUNG

FIG 1

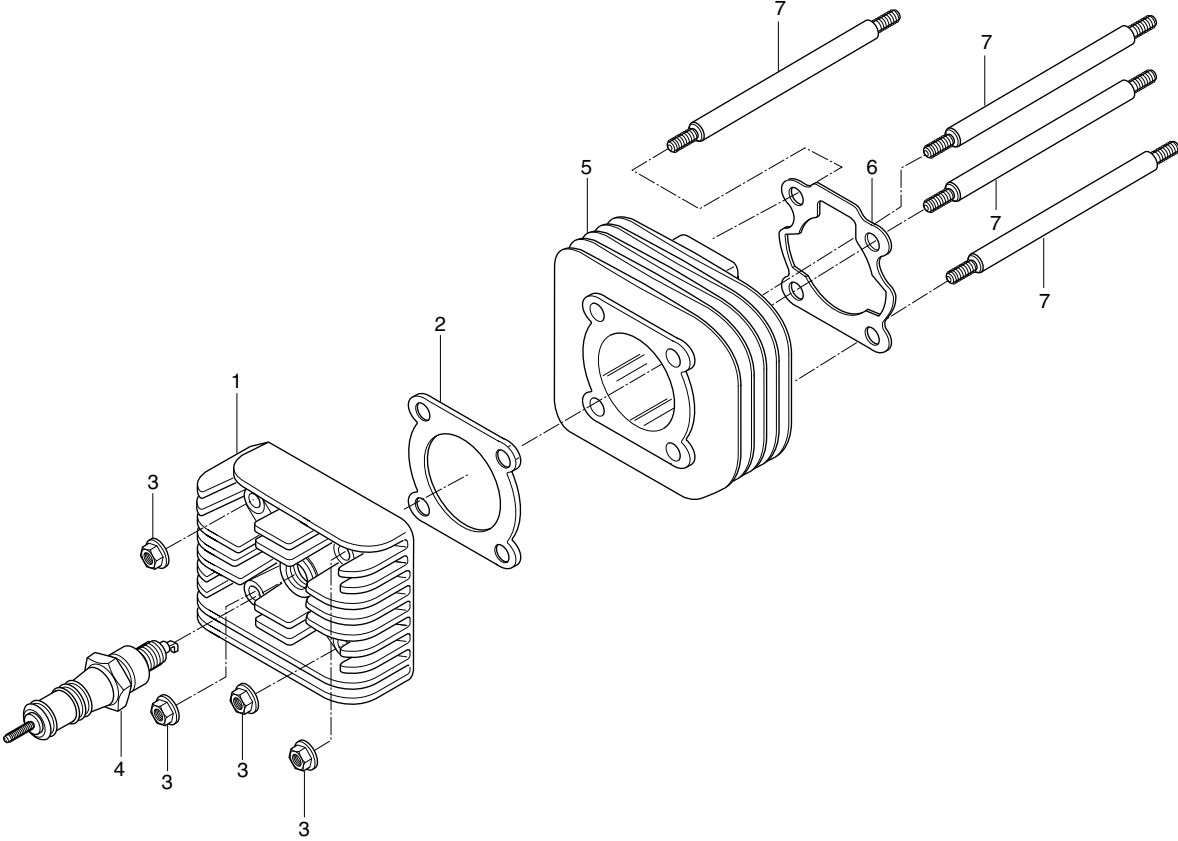


FIG 1. CYLINDER

REF. NO. DOMESTIC	PARTS NUMBER.							PART NAME	USAGEREMARKS (PCS)	REC.Q'TY (PCS)
	ST01	LNE01	LUS01	NUS02	STR	ST2				
1	11111H11200	11111H11200	11111H11200	11111H11200	11111H11200	11111H11200	11111H11200	CYLINDER HEAD	1	2
2	11141-02110	11141-02110	11141-02110	11141-02110	11141-02110	11141-02110	11141-02110	GASKET,cylinder head	1	10
3	08316-16068	08316-16068	08316-16068	08316-16068	08316-16068	08316-16068	08316-16068	NUT,cylinder head(M6)	4	
4	09482-01059	09482-01059	09482-01059	09482-01059	09482-01059	09482-01059	09482-01059	PLUG,spark(BP6HS)	1	25
5	11211HG2602PCY	11211HG2602PCY	11211HG2602PCY	11211HG2602PCY	11211HG2602PCY	11211HG2602PCY	11211HG2602PCY	CYLINDER	1	
6	11241HF1602	11241HF1602	11241HF1602	11241HF1602	11241HF1602	11241HF1602	11241HF1602	GASKET,cylinder	1	10
7	01421-06858	01421-06858	01421-06858	01421-06858	01421-06858	01421-06858	01421-06858	STUD BOLT,cylinder (M6*85)	4	

FIG 2

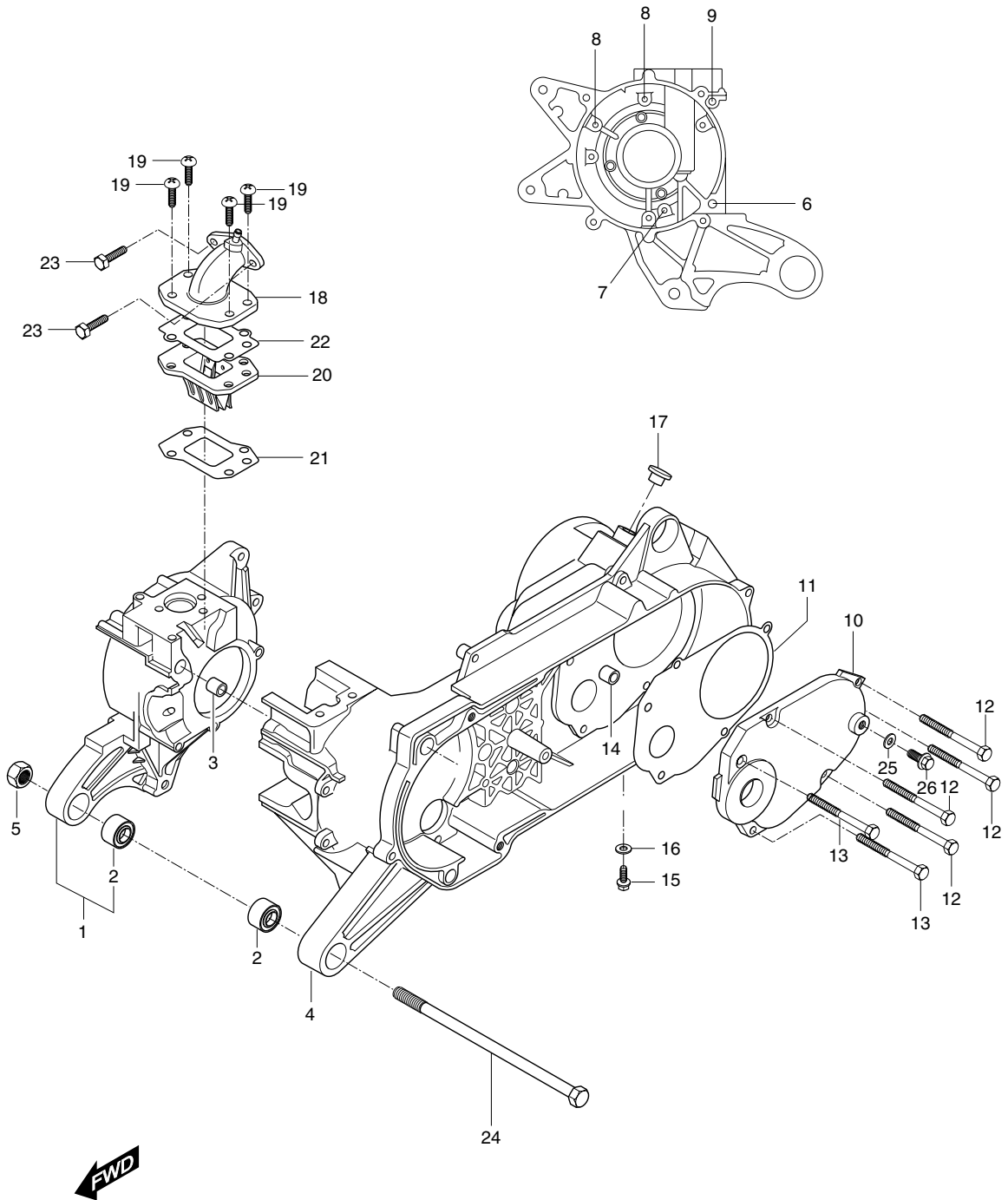


FIG 2. CRANK CASE

REF.	PARTS NUMBER.							PARTS NAME	USAGREMARKS (PCS)	REC.Q'TY (PCS)
	NO. DOMESTIC	ST01	LNE01	LUS01	NUS02	STR	ST2			
1	11310H11207PCC	11310H11207PCC	11310H11207PCC	11310H11207PCC	11310H11207PCC	11310H11207PCC	11310H11207PCC	CASE,crank R	1	
2	09319-10027	09319-10027	09319-10027	09319-10027	09319-10027	09319-10027	09319-10027	BUSH,engine mounting	2	
3	04213-09129	04213-09129	04213-09129	04213-09129	04213-09129	04213-09129	04213-09129	KNOCK PIN,crank case	2	
4	11320HK3103PCC	11320HK3103PCC	11320HK3103PCC	11320HK3103PCC	11320HK3103PCC	11320HK3103PCC	11320HK3103PCC	CASE,crank L	1	1
5	08316-26108	08316-26108	08316-26108	08316-26108	08316-26108	08316-26108	08316-26108	NUT,engine mount(M10)	1	
6	02112-06508	02112-06508	02112-06508	02112-06508	02112-06508	02112-06508	02112-06508	SCREW,crank case(M6*50)	1	5
7	02112-06458	02112-06458	02112-06458	02112-06458	02112-06458	02112-06458	02112-06458	SCREW,crank case(M6*45)	1	
8	02112-06408	02112-06408	02112-06408	02112-06408	02112-06408	02112-06408	02112-06408	SCREW,crank case(M6*40)	2	
9	02112-06558	02112-06558	02112-06558	02112-06558	02112-06558	02112-06558	02112-06558	SCREW,crank case(M6*55)	1	
10	11431HD2100PCR	11431HD2100PCR	11431HD2100PCR	11431HD2100PCR	11431HD2100PCR	11431HD2100PCR	11431HD2100PCR	COVER,gear box	1	1
11	11484H11203	11484H11203	11484H11203	11484H11203	11484H11203	11484H11203	11484H11203	GASKET,gear box cover	1	3
12	01547-06208	01547-06208	01547-06208	01547-06208	01547-06208	01547-06208	01547-06208	BOLT,gear box cover(M6*20)	4	
13	01547-06308	01547-06308	01547-06308	01547-06308	01547-06308	01547-06308	01547-06308	BOLT,gear box cover(M6*30)	2	
14	04213-09129	04213-09129	04213-09129	04213-09129	04213-09129	04213-09129	04213-09129	KNOCK PIN,gear box cover	2	
15	09247-100A8	09247-100A8	09247-100A8	09247-100A8	09247-100A8	09247-100A8	09247-100A8	PLUG,oil drain	1	2
16	09168H10003	09168H10003	09168H10003	09168H10003	09168H10003	09168H10003	09168H10003	GASKET,oil drain bolt	1	2
17	09250H11005	09250H11005	09250H11005	09250H11005	09250H11005	09250H11005	09250H11005	PLUG,oil filler	1	2
18	13110HK3100	13110HK3100	13110HK3100	13110HK3100	13110HK3100	13110HK3100	13110HK3100	PIPE COMP,intake	1	2
19	02112-96256	02112-96256	02112-96256	02112-96256	02112-96256	02112-96256	02112-96256	SCREW,intake pipe(M6*25)	4	12
20	13150HF1600	13150HF1600	13150HF1600	13150HF1600	13150HF1600	13150HF1600	13150HF1600	VALVE ASS'Y,reed	1	5
21	13125HF1601	13125HF1601	13125HF1601	13125HF1601	13125HF1601	13125HF1601	13125HF1601	GASKET,reed valve	1	5
22	13126HF1601	13126HF1601	13126HF1601	13126HF1601	13126HF1601	13126HF1601	13126HF1601	GASKET,intake pipe	1	5
23	09137H06021	09137H06021	09137H06021	09137H06021	09137H06021	09137H06021	09137H06021	SCREW,carburetor(M6/20)	2	
24	09103H10122	09103H10122	09103H10122	09103H10122	09103H10122	09103H10122	09103H10122	BOLT,engine mount(M10*195)	1	
25	09168-08008	09168-08008	09168-08008	09168-08008	09168-08008	09168-08008	09168-08008	GASKET,oil level bolt	1	2
26	01514-08128	01514-08128	01514-08128	01514-08128	01514-08128	01514-08128	01514-08128	BOLT,oil level(M8*12)	1	2

FIG 3

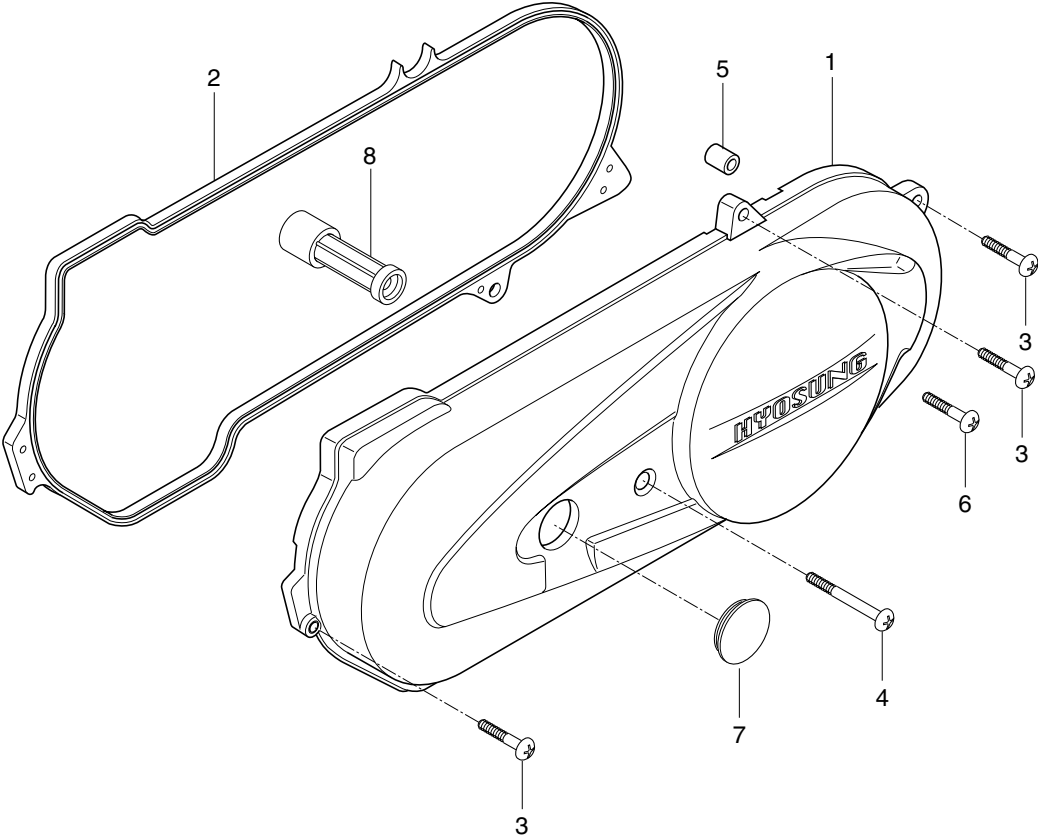
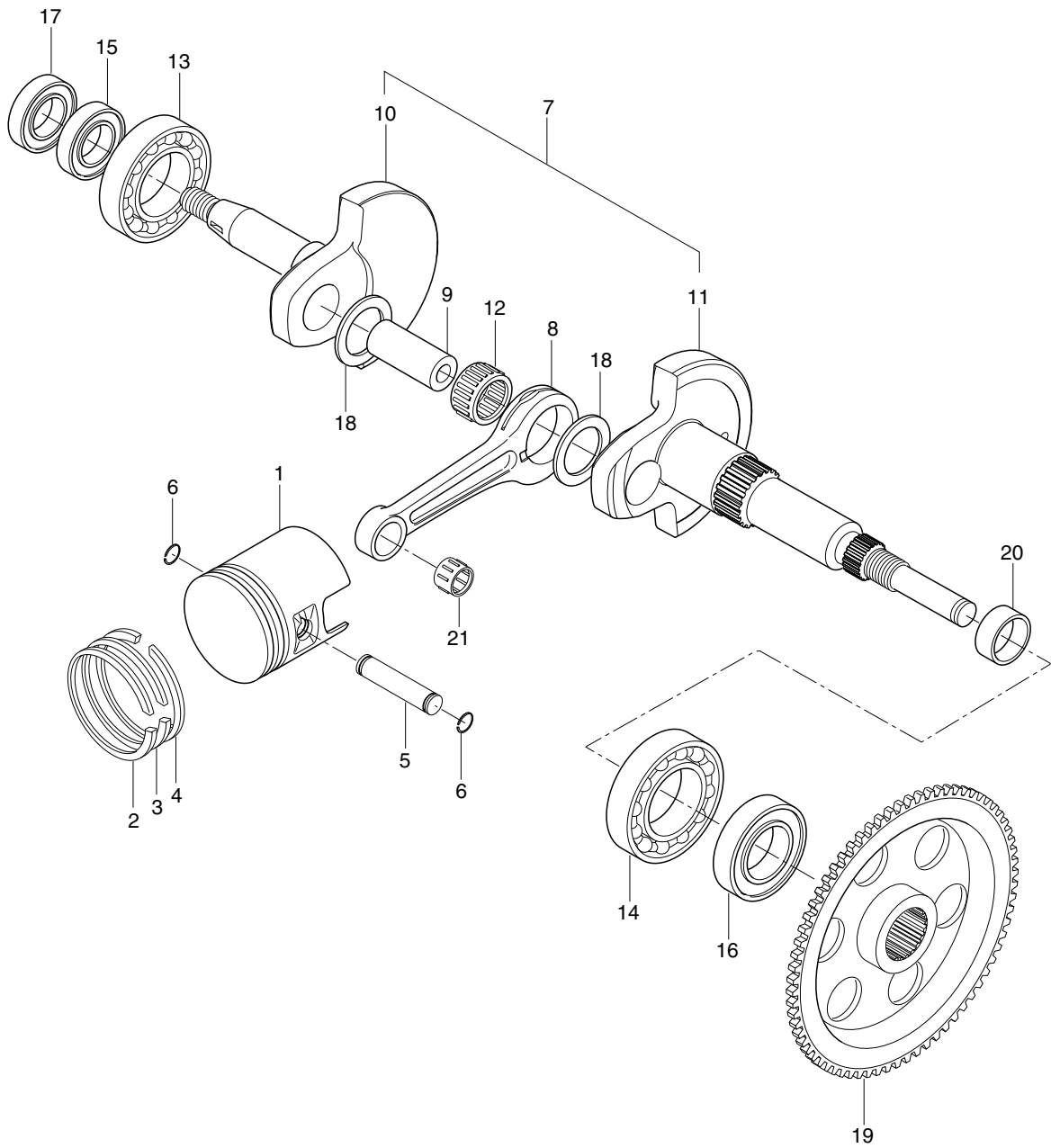


FIG 3. CLUTCH

REF. NO. DOMESTIC	PARTS NUMBER.						PARTS NAME	USAGEREMARKS (PCS)	REC.Q'TY (PCS)
	ST01	LNE01	LUS01	NUS02	STR	ST2			
1	11340HK3100	11340HK3100	11340HK3100	11340HK3100	11340HK3100	11340HK3100	11340HK3100	COVER,clutch	1
2	11452HF1602	11452HF1602	11452HF1602	11452HF1602	11452HF1602	11452HF1602	11452HF1602	GASKET,clutch cover	1
3	02112-06255	02112-06255	02112-06255	02112-06255	02112-06255	02112-06255	02112-06255	SCREW,clutch cover(M6*65)	3
4	02112-06605	02112-06605	02112-06605	02112-06605	02112-06605	02112-06605	02112-06605	SCREW,clutch cover(M6*65)	1
5	09180H06013	09180H06013	09180H06013	09180H06013	09180H06013	09180H06013	09180H06013	SPACE,clutch cover	1
6	02112-06505	02112-06505	02112-06505	02112-06505	02112-06505	02112-06505	02112-06505	SCREW,clutch cover(M6*50)	1
7	11345HK3100	11345HK3100	11345HK3100	11345HK3100	11345HK3100	11345HK3100	11345HK3100	CAP,clutch cover	1
8	11346HK3100	11346HK3100	11346HK3100	11346HK3100	11346HK3100	11346HK3100	11346HK3100	SPACER,clutch cover center	1

FIG 4



FWD

FIG 4. CRANK SHAFT

REF. NO.	PARTS NUMBER.							PARTS NAME	USAGREMARKS (PCS)	REC.Q'TY (PCS)
	DOMESTIC	ST01	LNE01	LUS01	NUS02	STR	ST2			
1	12110H11214PSA	12110H11214PSA	12110H11214PSA	12110H11214PSA	12110H11214PSA	12110H11214PSA	12110H11214PSA	PISTON,comp	1	3
2	12141-35010	12141-35010	12141-35010	12141-35010	12141-35010	12141-35010	12141-35010	RING,piston 1st	1	15
3	12142-29C10	12142-29C10	12142-29C10	12142-29C10	12142-29C10	12142-29C10	12142-29C10	RING,piston 2nd	1	
4	12149-29C10	12149-29C10	12149-29C10	12149-29C10	12149-29C10	12149-29C10	12149-29C10	RING,piston expander	1	
5	12151-46501	12151-46501	12151-46501	12151-46501	12151-46501	12151-46501	12151-46501	PIN,piston	1	5
6	09381-10006	09381-10006	09381-10006	09381-10006	09381-10006	09381-10006	09381-10006	CIRCLIP,piston pin	2	10
7	12200H11200HPA	12200H11200HPA	12200H11200HPA	12200H11200HPA	12200H11200HPA	12200H11200HPA	12200H11200HPA	CRANKSHAFT,assy	1	
8	12161-37B02	12161-37B02	12161-37B02	12161-37B02	12161-37B02	12161-37B02	12161-37B02	ROD,connecting	1	3
9	12211H11201888	12211H11201888	12211H11201888	12211H11201888	12211H11201888	12211H11201888	12211H11201888	PIN,crank	1	2
10	12221H11201CSA	12221H11201CSA	12221H11201CSA	12221H11201CSA	12221H11201CSA	12221H11201CSA	12221H11201CSA	CRANKSHAFT,R	1	
11	12261H11A00CSA	12261H11A00CSA	12261H11A00CSA	12261H11A00CSA	12261H11A00CSA	12261H11A00CSA	12261H11A00CSA	CRANKSHAFT,L	1	
12	09263H16004	09263H16004	09263H16004	09263H16004	09263H16004	09263H16004	09263H16004	BEARING,crank pin(16*22*12)	1	
13	09262H250A2	09262H250A2	09262H250A2	09262H250A2	09262H250A2	09262H250A2	09262H250A2	BEARING,crank shaft R(28*68*18)	1	4
14	09262H250A2	09262H250A2	09262H250A2	09262H250A2	09262H250A2	09262H250A2	09262H250A2	BEARING,crank shaft L(28*68*18)	1	
15	09283-25083	09283-25083	09283-25083	09283-25083	09283-25083	09283-25083	09283-25083	SEAL,crankshaft oil L(25*37*6)	1	
16	09283-25083	09283-25083	09283-25083	09283-25083	09283-25083	09283-25083	09283-25083	SEAL,crankshaft oil R No.2(25*37*6)	1	
17	09284-20051	09284-20051	09284-20051	09284-20051	09284-20051	09284-20051	09284-20051	SEAL,crankshaft oil R No.1(20*42*6)	1	
18	09160H16040	09160H16040	09160H16040	09160H16040	09160H16040	09160H16040	09160H16040	WASHER,connecting rod thrust	1	
19	12620H11A00	12620H11A00	12620H11A00	12620H11A00	12620H11A00	12620H11A00	12620H11A00	GEAR,starter driven	1	
20	09180H18005	09180H18005	09180H18005	09180H18005	09180H18005	09180H18005	09180H18005	SPACER,crankshaft oil seal	1	
21	09263H10003	09263H10003	09263H10003	09263H10003	09263H10003	09263H10003	09263H10003	BEARING,piston pin(10*14*12.5)	1	

FIG 5

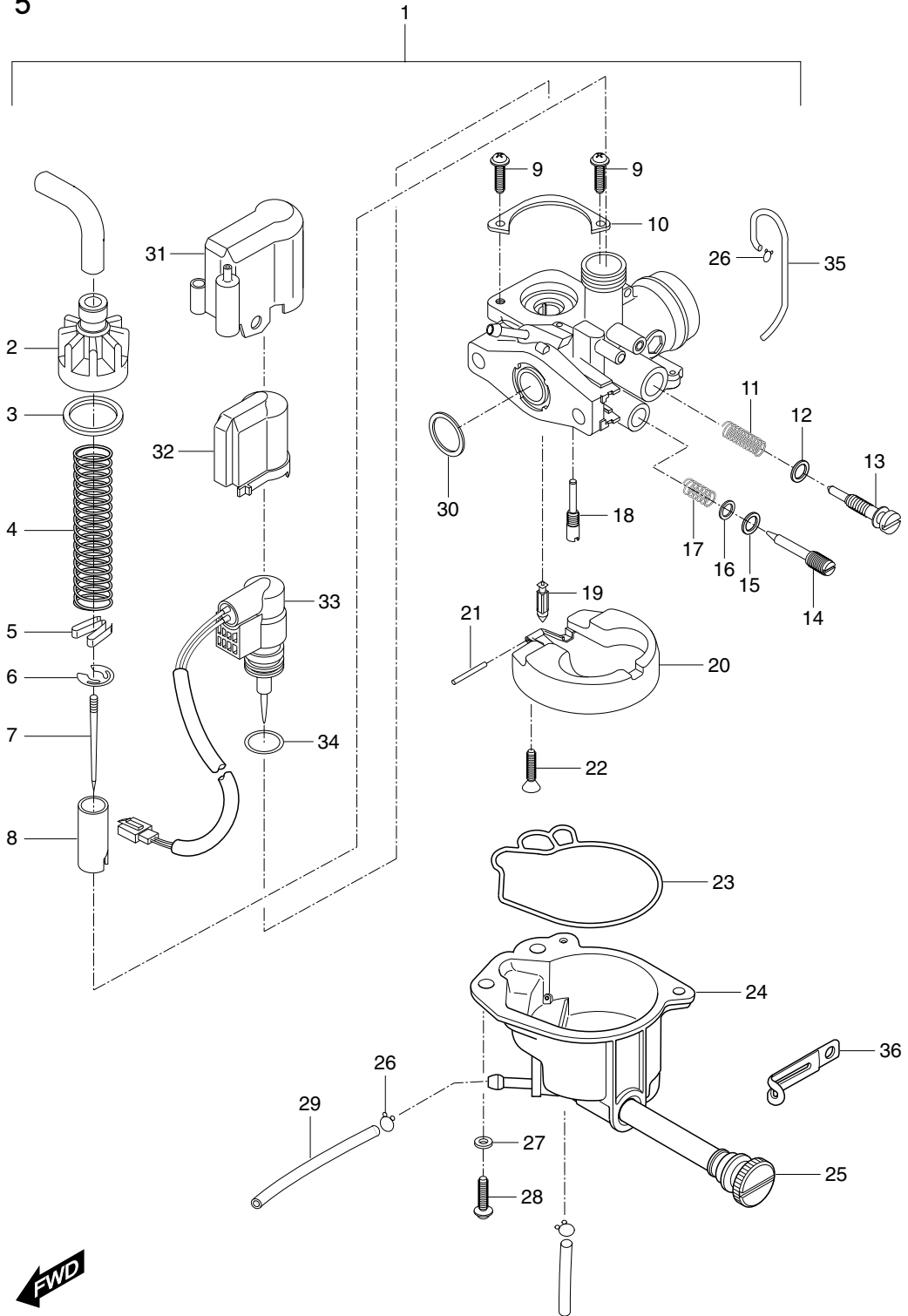


FIG 5. CARBURETOR ASS'Y

REF.	PARTS NUMBER.							PARTS NAME	USAGREMARKS (PCS)	REC.Q'TY (PCS)
	NO. DOMESTIC	ST01	LNE01	LUS01	NUS02	STR	ST2			
1	13091HK3100	13091HK3100	13091HK3100	13091HK3100	13091HK3100	13091HK3100	13091HK3100	CARURETOR,assy	1	1
2	13681HF1600	13681HF1600	13681HF1600	13681HF1600	13681HF1600	13681HF1600	13681HF1600	CAP,carburetor top	1	
3	13249HF1600	13249HF1600	13249HF1600	13249HF1600	13249HF1600	13249HF1600	13249HF1600	GASKET,top cover	1	
4	13573HF1600	13573HF1600	13573HF1600	13573HF1600	13573HF1600	13573HF1600	13573HF1600	SPRING, throttle valve	1	
5	13581HF1600	13581HF1600	13581HF1600	13581HF1600	13581HF1600	13581HF1600	13581HF1600	CLIP	1	
6	13533HF1600	13533HF1600	13533HF1600	13533HF1600	13533HF1600	13533HF1600	13533HF1600	E-RING	1	
7	13383HF1600	13383HF1600	13383HF1600	13383HF1600	13383HF1600	13383HF1600	13383HF1600	JET, needle	1	
8	13551HF1600	13551HF1600	13551HF1600	13551HF1600	13551HF1600	13551HF1600	13551HF1600	VALVE, throttle	1	
9	13601HF1600	13601HF1600	13601HF1600	13601HF1600	13601HF1600	13601HF1600	13601HF1600	SCREW	2	
10	13610HF1600	13610HF1600	13610HF1600	13610HF1600	13610HF1600	13610HF1600	13610HF1600	RETAINER	1	
11	13265HF1600	13265HF1600	13265HF1600	13265HF1600	13265HF1600	13265HF1600	13265HF1600	SPRING	1	
12	13266HF1600	13266HF1600	13266HF1600	13266HF1600	13266HF1600	13266HF1600	13266HF1600	WASHER	1	
13	13267HF1600	13267HF1600	13267HF1600	13267HF1600	13267HF1600	13267HF1600	13267HF1600	SCREW, throttle stop	1	
14	13269HF1600	13269HF1600	13269HF1600	13269HF1600	13269HF1600	13269HF1600	13269HF1600	SCREW, pilot air	1	
15	13606HF1600	13606HF1600	13606HF1600	13606HF1600	13606HF1600	13606HF1600	13606HF1600	WASHER	1	
16	13295HF1600	13295HF1600	13295HF1600	13295HF1600	13295HF1600	13295HF1600	13295HF1600	O-RING	1	
17	13268HF1600	13268HF1600	13268HF1600	13268HF1600	13268HF1600	13268HF1600	13268HF1600	SPRING	1	
18	09492HF1600	09492HF1600	09492HF1600	09492HF1600	09492HF1600	09492HF1600	09492HF1600	JET, pilot	1	
19	13370HF1600	13370HF1600	13370HF1600	13370HF1600	13370HF1600	13370HF1600	13370HF1600	VALVE, needle	1	
20	13250HF1600	13250HF1600	13250HF1600	13250HF1600	13250HF1600	13250HF1600	13250HF1600	FLOAT	1	
21	13254HF1600	13254HF1600	13254HF1600	13254HF1600	13254HF1600	13254HF1600	13254HF1600	PIN, float	1	
22	02112HF1600	02112HF1600	02112HF1600	02112HF1600	02112HF1600	02112HF1600	02112HF1600	SCREW	1	
23	13258HF1600	13258HF1600	13258HF1600	13258HF1600	13258HF1600	13258HF1600	13258HF1600	GASKET, float body	1	
24	13245HF1600	13245HF1600	13245HF1600	13245HF1600	13245HF1600	13245HF1600	13245HF1600	BODY, float	1	
25	13247HF1600	13247HF1600	13247HF1600	13247HF1600	13247HF1600	13247HF1600	13247HF1600	SCREW, drain	1	
26	09401-08401	09401-08401	09401-08401	09401-08401	09401-08401	09401-08401	09401-08401	CLIP	2	
27	08321HF1600	08321HF1600	08321HF1600	08321HF1600	08321HF1600	08321HF1600	08321HF1600	WASHER	1	
28	02112-04126	02112-04126	02112-04126	02112-04126	02112-04126	02112-04126	02112-04126	SCREW	2	
29	13683HF1600	13683HF1600	13683HF1600	13683HF1600	13683HF1600	13683HF1600	13683HF1600	HOSE	1	
30	13277HF1600	13277HF1600	13277HF1600	13277HF1600	13277HF1600	13277HF1600	13277HF1600	O-RING	1	
31	13630HF1600	13630HF1600	13630HF1600	13630HF1600	13630HF1600	13630HF1600	13630HF1600	CAP, holder outer	1	
32	13640HF1600	13640HF1600	13640HF1600	13640HF1600	13640HF1600	13640HF1600	13640HF1600	CAP, holder outer	1	
33	13430HK3100	13430HK3100	13430HK3100	13430HK3100	13430HK3100	13430HK3100	13430HK3100	ELEMENT ASS'Y, thermo	1	
34	13650HF1600	13650HF1600	13650HF1600	13650HF1600	13650HF1600	13650HF1600	13650HF1600	O-RING, element thermo	1	
35	13684HF1600	13684HF1600	13684HF1600	13684HF1600	13684HF1600	13684HF1600	13684HF1600	HOSE, air vent	1	
36	09404-06401	09404-06401	09404-06401	09404-06401	09404-06401	09404-06401	09404-06401	CLAMP,carburetor drain	1	

FIG 6

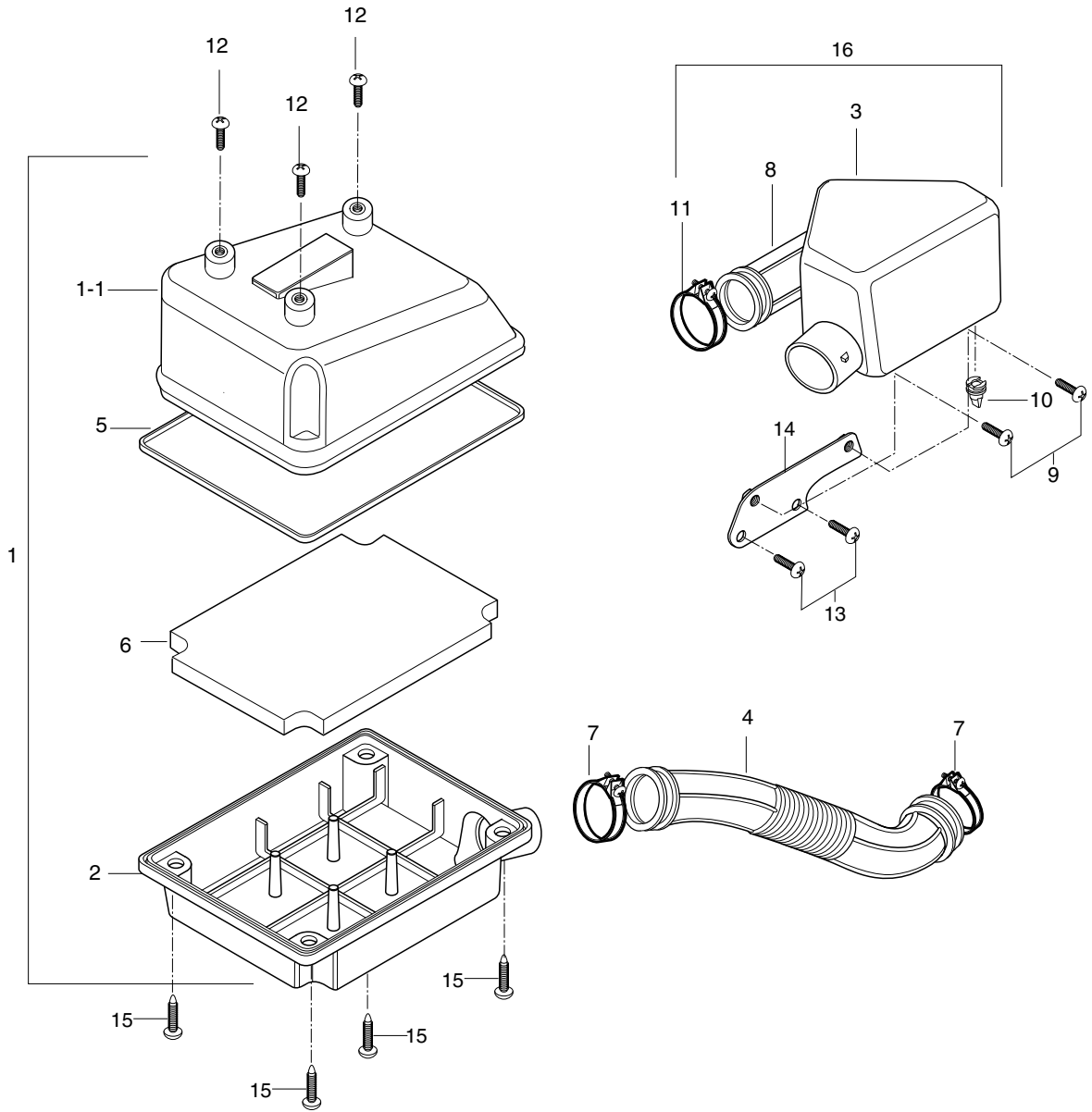


FIG 6. AIR CLEANER

REF. NO. DOMESTIC	PARTS NUMBER.							PARTS NAME	USAGREMARKS (PCS)	REC.Q'TY (PCS)
	ST01	LNE01	LUS01	NUS02	STR	ST2				
1	13700HK3104	13700HK3104	13700HK3104	13700HK3104	13700HK3104	13700HK3104	13700HK3104	CLEANER,assy air	1	3
1-1	13721HK3103	13721HK3103	13721HK3103	13721HK3103	13721HK3103	13721HK3103	13721HK3103	CASE,air cleaner	1	
2	13740HK3101	13740HK3101	13740HK3101	13740HK3101	13740HK3101	13740HK3101	13740HK3101	CAP COMP,air cleaner	1	
3	13821HK3102	13821HK3102	13821HK3102	13821HK3102	13821HK3102	13821HK3102	13821HK3102	CHAMBER,air cleaner	1	
4	13831HK3101	13831HK3101	13831HK3101	13831HK3101	13831HK3101	13831HK3101	13831HK3101	TUBE, connecting	1	
5	13736HK3100	13736HK3100	13736HK3100	13736HK3100	13736HK3100	13736HK3100	13736HK3100	GASKET,air cleaner	1	
6	13781HK3100	13781HK3100	13781HK3100	13781HK3100	13781HK3100	13781HK3100	13781HK3100	FILTER,air cleaner	1	
7	09402-36207	09402-36207	09402-36207	09402-36207	09402-36207	09402-36207	09402-36207	CLAMP, tube connecting	2	
8	13881HK3100	13881HK3100	13881HK3100	13881HK3100	13881HK3100	13881HK3100	13881HK3100	TUBE, outlet	1	
9	02112-06168	02112-06168	02112-06168	02112-06168	02112-06168	02112-06168	02112-06168	SCREW,air cleaner chamber(M6*16)	2	
10	13861HE7100	13861HE7100	13861HE7100	13861HE7100	13861HE7100	13861HE7100	13861HE7100	TUBE, drain	1	
11	09402-34207	09402-34207	09402-34207	09402-34207	09402-34207	09402-34207	09402-34207	CLAMP, outlet tube	1	
12	02112-16166	02112-16166	02112-16166	02112-16166	02112-16166	02112-16166	02112-16166	SCREW,air cleaner(M6*16)	3	
13	02142-05128	02142-05128	02142-05128	02142-05128	02142-05128	02142-05128	02142-05128	SCREW(M5*12)	2	
14	13825HK3101	13825HK3101	13825HK3101	13825HK3101	13825HK3101	13825HK3101	13825HK3101	BRACKET,air cleaner chamber	1	
15	03142-05169	03142-05169	03142-05169	03142-05169	03142-05169	03142-05169	03142-05169	SCREW(M5*16)	4	
16	13820HK3103	13820HK3103	13820HK3103	13820HK3103	13820HK3103	13820HK3103	13820HK3103	CHAMBER,assy air cleaner	1	

FIG 7

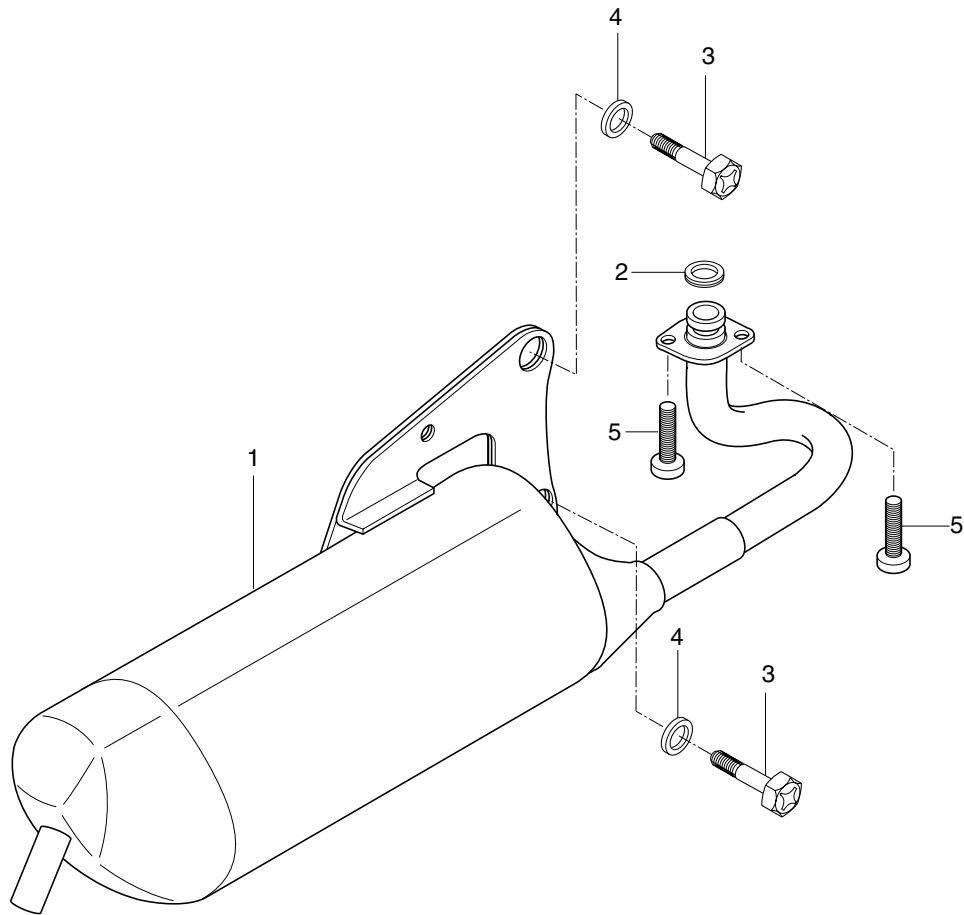


FIG 7. MUFFLER

REF. NO.	PARTS NUMBER.							PARTS NAME	USAGE (PCS)	REMARKS (PCS)	REC.Q'TY (PCS)
	DOMESTIC	ST01	LNE01	LUS01	NUS02	STR	ST2				
1	14310HK3103PAM	14310HK3103PAM	14310HK3103PAM	14310HK3103PAM	14310HK3103PAM	14310HK3103PAM	14310HK3103PAM	BODY COMP,muffler	1		2
2	14181HG2600	14181HG2600	14181HG2600	14181HG2600	14181HG2600	14181HG2600	14181HG2600	GASKET,exhaust pipe	1		
3	09128-08001	09128-08001	09128-08001	09128-08001	09128-08001	09128-08001	09128-08001	BOLT,muffler(M8*20)	2		
4	08321-31088	08321-31088	08321-31088	08321-31088	08321-31088	08321-31088	08321-31088	WASHER,muffler	2		
5	01137-06258	01137-06258	01137-06258	01137-06258	01137-06258	01137-06258	01137-06258	BOLT,exhaust pipe(M6*25)	2		

FIG 8

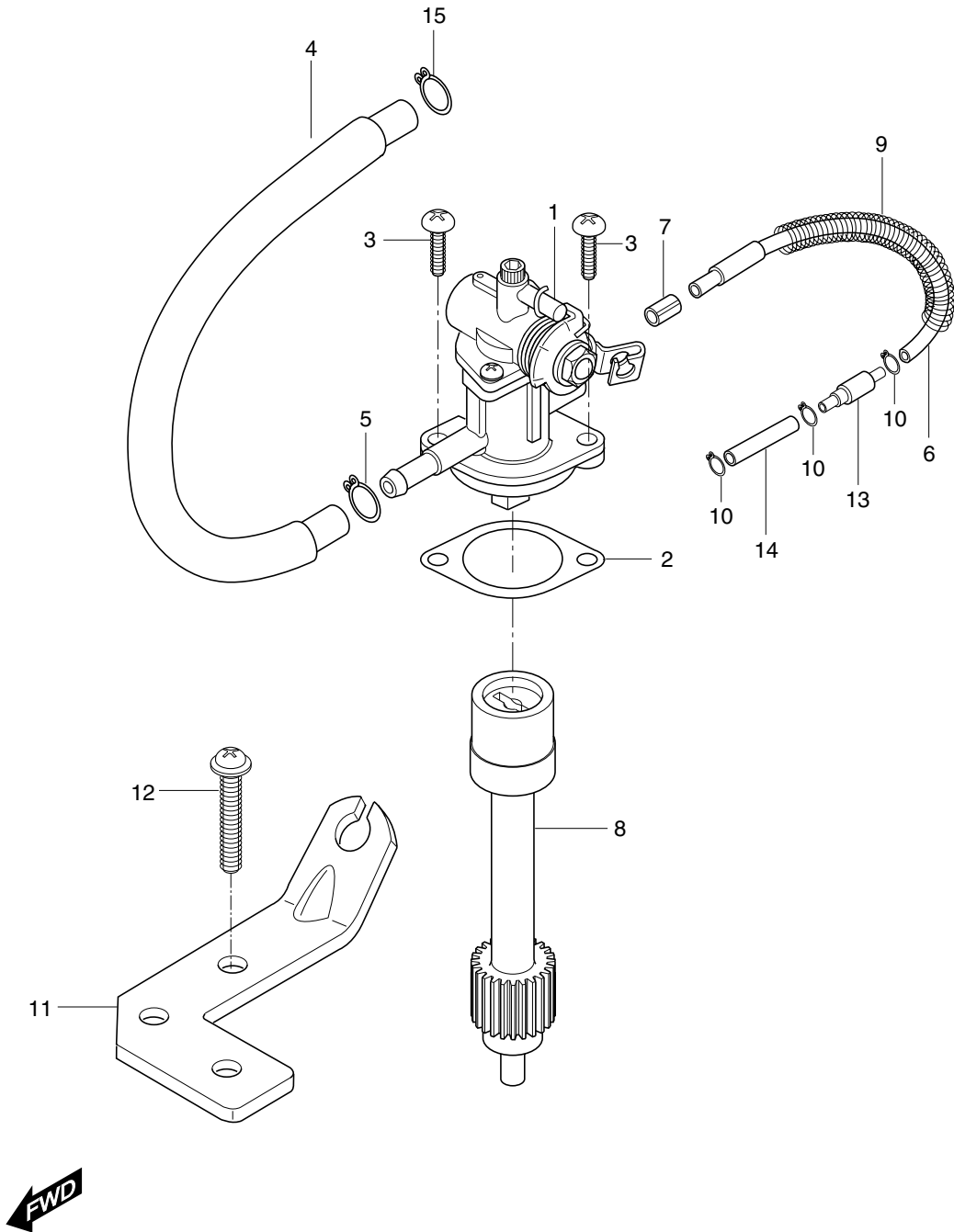


FIG 8. OIL PUMP

REF. NO. DOMESTIC	PARTS NUMBER.						PARTS NAME	USAGE REMARKS (PCS)	REC.Q'TY (PCS)	
	ST01	LNE01	LUS01	NUS02	STR	ST2				
1	16100HK3101	16100HK3101	16100HK3101	16100HK3101	16100HK3101	16100HK3101	16100HK3101	PUMP,ASS'Y oil	1	4
2	16731H11202	16731H11202	16731H11202	16731H11202	16731H11202	16731H11202	16731H11202	GASKET,oil pump	1	
3	02112-35168	02112-35168	02112-35168	02112-35168	02112-35168	02112-35168	02112-35168	SCREW,oil pump(M5*16)	2	10
4	16821HK3100	16821HK3100	16821HK3100	16821HK3100	16821HK3100	16821HK3100	16821HK3100	HOSE,oil No.1	1	
5	09401-08401	09401-08401	09401-08401	09401-08401	09401-08401	09401-08401	09401-08401	CLIP,oil hose No.1	1	
6	16831HE1401	16831HE1401	16831HE1401	16831HE1401	16831HE1401	16831HE1401	16831HE1401	HOSE,oil No.2	1	
7	09401-04401	09401-04401	09401-04401	09401-04401	09401-04401	09401-04401	09401-04401	CLIP	1	
8	16331H11200	16331H11200	16331H11200	16331H11200	16331H11200	16331H11200	16331H11200	GEAR,oil pump pinion(NT:30)	1	
9	09440-13019	09440-13019	09440-13019	09440-13019	09440-13019	09440-13019	09440-13019	SPRING,oil hose	1	
10	09401H05404	09401H05404	09401H05404	09401H05404	09401H05404	09401H05404	09401H05404	CLIP	3	
11	16630HB1100	16630HB1100	16630HB1100	16630HB1100	16630HB1100	16630HB1100	16630HB1100	BRACKET COMP, oil pump	1	
12	02112-06108	02112-06108	02112-06108	02112-06108	02112-06108	02112-06108	02112-06108	SCREW,oil pump bracket(M6*10)	2	
13	16910HB1400	16910HB1400	16910HB1400	16910HB1400	16910HB1400	16910HB1400	16910HB1400	VALVE COMP,oil hose No.2 check	1	
14	16841HF1600	16841HF1600	16841HF1600	16841HF1600	16841HF1600	16841HF1600	16841HF1600	HOSE,oil No.3	1	
15	09401H11401	09401H11401	09401H11401	09401H11401	09401H11401	09401H11401	09401H11401	CLIP	1	

FIG 9

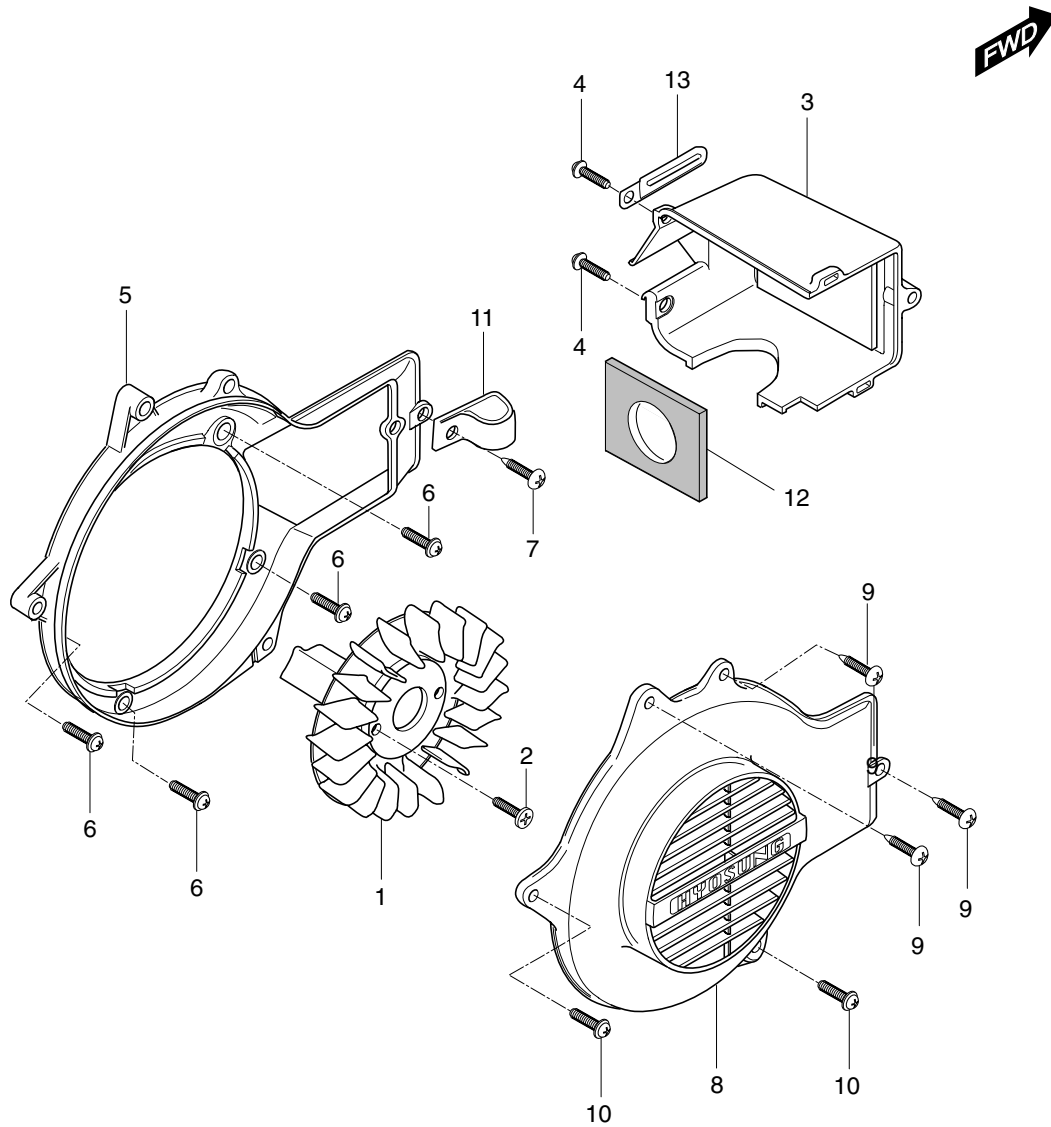
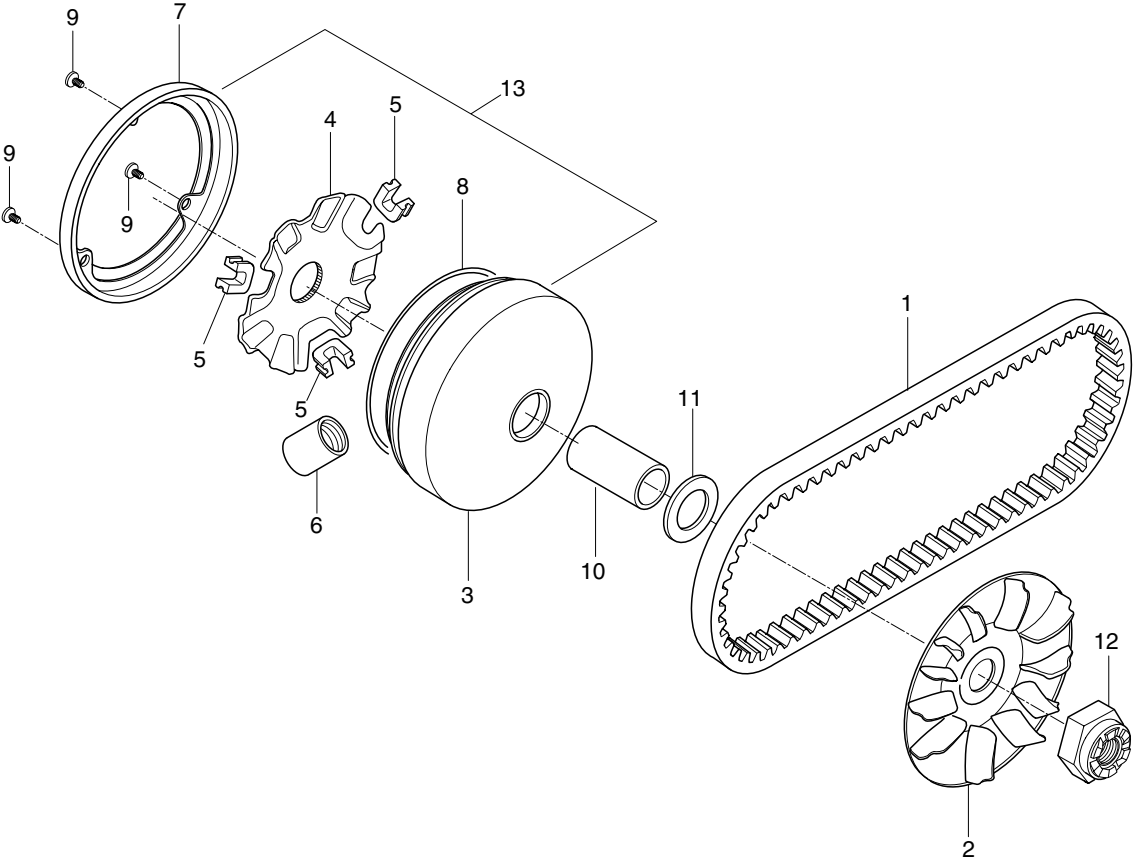


FIG 9. COOLING

REF. NO. DOMESTIC	PARTS NUMBER.						PARTS NAME	USAGEREMARKS (PCS)	REC.Q'TY (PCS)	
	ST01	LNE01	LUS01	NUS02	STR	ST2				
1	17110H11200	17110H11200	17110H11200	17110H11200	17110H11200	17110H11200	17110H11200	FAN COMP,cooling	1	1
2	02152-06168	02152-06168	02152-06168	02152-06168	02152-06168	02152-06168	02152-06168	SCREW(M6*12)	2	8
3	17120H11204	17120H11204	17120H11204	17120H11204	17120H11204	17120H11204	17120H11204	COWLING COMP,cylinder	1	2
4	02152-06168	02152-06168	02152-06168	02152-06168	02152-06168	02152-06168	02152-06168	SCREW(M6*12)	2	8
5	17140H11200	17140H11200	17140H11200	17140H11200	17140H11200	17140H11200	17140H11200	CASE COMP,fan	1	2
6	02152-06168	02152-06168	02152-06168	02152-06168	02152-06168	02152-06168	02152-06168	SCREW(M6*16)	4	
7	03151-06205	03151-06205	03151-06205	03151-06205	03151-06205	03151-06205	03151-06205	SCREW(M6*20)	1	4
8	17130H11200	17130H11200	17130H11200	17130H11200	17130H11200	17130H11200	17130H11200	COOLING COMP,fan	1	2
9	03151-06205	03151-06205	03151-06205	03151-06205	03151-06205	03151-06205	03151-06205	SCREW(M6*20)	3	
10	03141-06305	03141-06305	03141-06305	03141-06305	03141-06305	03141-06305	03141-06305	SCREW(M6*35)	2	
11	09403-14404	09403-14404	09403-14404	09403-14404	09403-14404	09403-14404	09403-14404	CLAMP	1	
12	17122H11200	17122H11200	17122H11200	17122H11200	17122H11200	17122H11200	17122H11200	CUSHION	1	
13	09404-06401	09404-06401	09404-06401	09404-06401	09404-06401	09404-06401	09404-06401	CLAMP	1	

FIG 10



FWD

FIG 10. TRANSMISSION

REF. NO. DOMESTIC	PARTS NUMBER.						PARTS NAME	USAGREMARKS (PCS)	REC.Q'TY (PCS)	
	ST01	LNE01	LUS01	NUS02	STR	ST2				
1	27601HB1100	27601HB1100	27601HB1100	27601HB1100	27601HB1100	27601HB1100	27601HB1100	V-BELT,drive	1	4
2	21110H11A02	21110H11A02	21110H11A02	21110H11A02	21110H11A02	21110H11A02	21110H11A02	FACE COMP,fixed drive	1	3
3	21120-25E02	21120-25E02	21120-25E02	21120-25E02	21120-25E02	21120-25E02	21120-25E02	FACE COMP,movable drive	1	3
4	21431H11A01	21431H11A01	21431H11A01	21431H11A01	21431H11A01	21431H11A01	21431H11A01	PLATE,movable drive	1	
5	21481-29C21	21481-29C21	21481-29C21	21481-29C21	21481-29C21	21481-29C21	21481-29C21	DAMPER,movable drive face plate	3	1
6	21651S09E00HPA	21651S09E00HPA	21651S09E00HPA	21651S09E00HPA	21651S09E00HPA	21651S09E00HPA	21651S09E00HPA	ROLLER COMP,movable drive fac	6	18
7	21122-37B01	21122-37B01	21122-37B01	21122-37B01	21122-37B01	21122-37B01	21122-37B01	COVER,movable drive face	1	
8	21127-25E00	21127-25E00	21127-25E00	21127-25E00	21127-25E00	21127-25E00	21127-25E00	RING,movable drive	1	
9	02142-04108	02142-04108	02142-04108	02142-04108	02142-04108	02142-04108	02142-04108	SCREW,movable drive face(M4*10)	3	
10	09180-16041	09180-16041	09180-16041	09180-16041	09180-16041	09180-16041	09180-16041	SPACER,movable drive	1	
11				09180H22022	09180H22022	09180H22022		SPACER,movable drive adjuster	1	
12	08316-26108	08316-26108	08316-26108	08316-26108	08316-26108	08316-26108	08316-26108	NUT,kick starter driven(M12)	1	

FIG 11

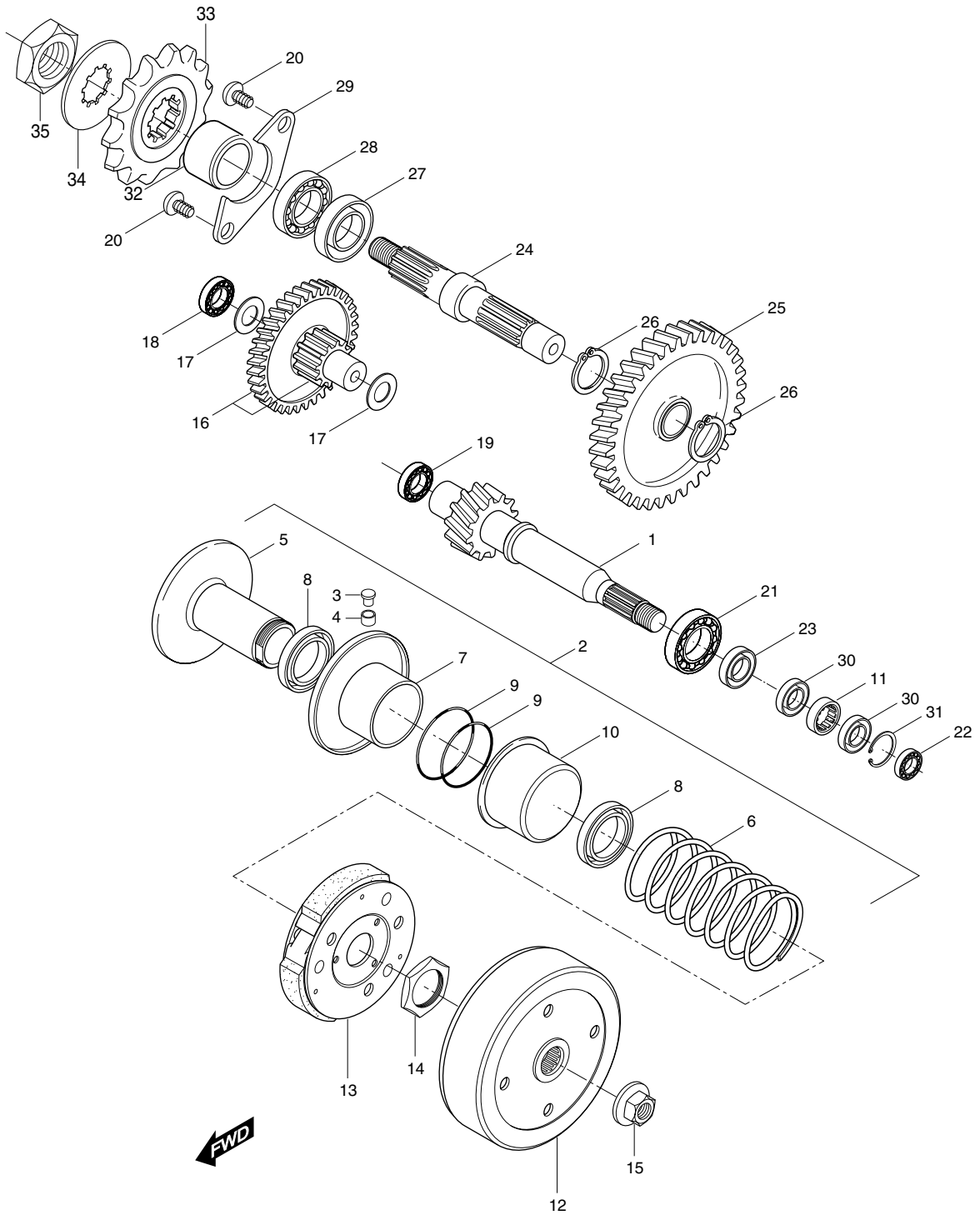


FIG 11. TRANSMISSION(2)

REF.	PARTS NUMBER.							PARTS NAME	USAGFREMARKS (PCS)	REC.Q'TY (PCS)
	NO. DOMESTIC	ST01	LNE01	LUS01	NUS02	STR	ST2			
1	24111H11223	24111H11223	24111H11223	24111H11223	24111H11223	24111H11223	24111H11223	SHAFT,drive(14T)	1	1
2	21210S37B00	21210S37B00	21210S37B00	21210S37B00	21210S37B00	21210S37B00	21210S37B00	FACE SET,movable	1	1
3	09201H06002	09201H06002	09201H06002	09201H06002	09201H06002	09201H06002	09201H06002	PIN,movable driven	3	
4	09180H06042	09180H06042	09180H06042	09180H06042	09180H06042	09180H06042	09180H06042	SPACER,movable driven pin	3	
5	21210-37B00	21210-37B00	21210-37B00	21210-37B00	21210-37B00	21210-37B00	21210-37B00	FACE COMP,fixed driven	1	
6	09440H52003	09440H52003	09440H52003	09440H52003	09440H52003	09440H52003	09440H52003	SPRING	1	
7	21240-37B00	21240-37B00	21240-37B00	21240-37B00	21240-37B00	21240-37B00	21240-37B00	FACE COMP,movable driven	1	
8	09284-34002	09284-34002	09284-34002	09284-34002	09284-34002	09284-34002	09284-34002	O-SEAL,movable driven(34*39*4)	2	
9	09280-41005	09280-41005	09280-41005	09280-41005	09280-41005	09280-41005	09280-41005	O-RING,movable driven(39*1.6)	2	
10	21471-03A02	21471-03A02	21471-03A02	21471-03A02	21471-03A02	21471-03A02	21471-03A02	SHEET,movable driven face	1	
11	09263-17042	09263-17042	09263-17042	09263-17042	09263-17042	09263-17042	09263-17042	BEARING,fixed driven R(17*25*11)	1	
12	21220-04C12	21220-04C12	21220-04C12	21220-04C12	21220-04C12	21220-04C12	21220-04C12	HOUSING COMP,clutch	1	
13	21501-29C10	21501-29C10	21501-29C10	21501-29C10	21501-29C10	21501-29C10	21501-29C10	CLUTCH ASS'Y,shoe(NA)	1	
14	09140H28004	09140H28004	09140H28004	09140H28004	09140H28004	09140H28004	09140H28004	NUT(M28)	1	
15	08316-16105	08316-16105	08316-16105	08316-16105	08316-16105	08316-16105	08316-16105	NUT(M10)	1	
16	24310H11A01HPA	24310H11A01HPA	24310H11A01HPA	24310H11A01HPA	24310H11A01HPA	24310H11A01HPA	24310H11A01HPA	GEAR ASS'Y,counter driven	1	
17	09160-15034	09160-15034	09160-15034	09160-15034	09160-15034	09160-15034	09160-15034	THRUST WASHER,counter shaft F	2	
18	08113-62010	08113-62010	08113-62010	08113-62010	08113-62010	08113-62010	08113-62010	BEARING(12*32*10)	1	
19	08113-62020	08113-62020	08113-62020	08113-62020	08113-62020	08113-62020	08113-62020	BEARING(15*35*11)	1	
20	02122-06168	02122-06168	02122-06168	02122-06168	02122-06168	02122-06168	02122-06168	SCREW,retainer(M6*16)	2	
21	09262H17001	09262H17001	09262H17001	09262H17001	09262H17001	09262H17001	09262H17001	BEARING(17*47*14)	1	
22	08120H69017	08120H69017	08120H69017	08120H69017	08120H69017	08120H69017	08120H69017	BEARING(12*24*6)	1	
23	09283H17002	09283H17002	09283H17002	09283H17002	09283H17002	09283H17002	09283H17002	O-SEAL(17*27*5)	1	
24	24141HK3100	24141HK3100	24141HK3100	24141HK3100	24141HK3100	24141HK3100	24141HK3100	SHAFT,rear axle 1	1	1
25	24331H11220	24331H11220	24331H11220	24331H11220	24331H11220	24331H11220	24331H11220	GEAR,final(40T)	1	1
26	08331-31229	08331-31229	08331-31229	08331-31229	08331-31229	08331-31229	08331-31229	CIRCLIP	1	
27	09283-27010	09283-27010	09283-27010	09283-27010	09283-27010	09283-27010	09283-27010	O-SEAL(27*40*7)	1	
28	08130-62047	08130-62047	08130-62047	08130-62047	08130-62047	08130-62047	08130-62047	BEARING(20*47*14)	1	
29	24751H07900	24751H07900	24751H07900	24751H07900	24751H07900	24751H07900	24751H07900	RETAINER	1	
30	09284H17002	09284H17002	09284H17002	09284H17002	09284H17002	09284H17002	09284H17002	O-SEAL(16*25*4)	1	NOT SALE
31	08331-41249	08331-41249	08331-41249	08331-41249	08331-41249	08331-41249	08331-41249	CIRCLIP	1	
32	27531HK3100	27531HK3100	27531HK3100	27531HK3100	27531HK3100	27531HK3100	27531HK3100	SPACER,rear axle shaft	1	
33	27511HK3104	27511HK3104	27511HK3104	27511HK3104	27511HK3104	27511HK3104	27511HK3104	SPROCKET,engine(21T)	1	
34	09167-20006	09167-20006	09167-20006	09167-20006	09167-20006	09167-20006	09167-20006	WASHER,engine sprocket knock	1	
35	09140-16017	09140-16017	09140-16017	09140-16017	09140-16017	09140-16017	09140-16017	NUT,engine sprocket	1	

FIG 12

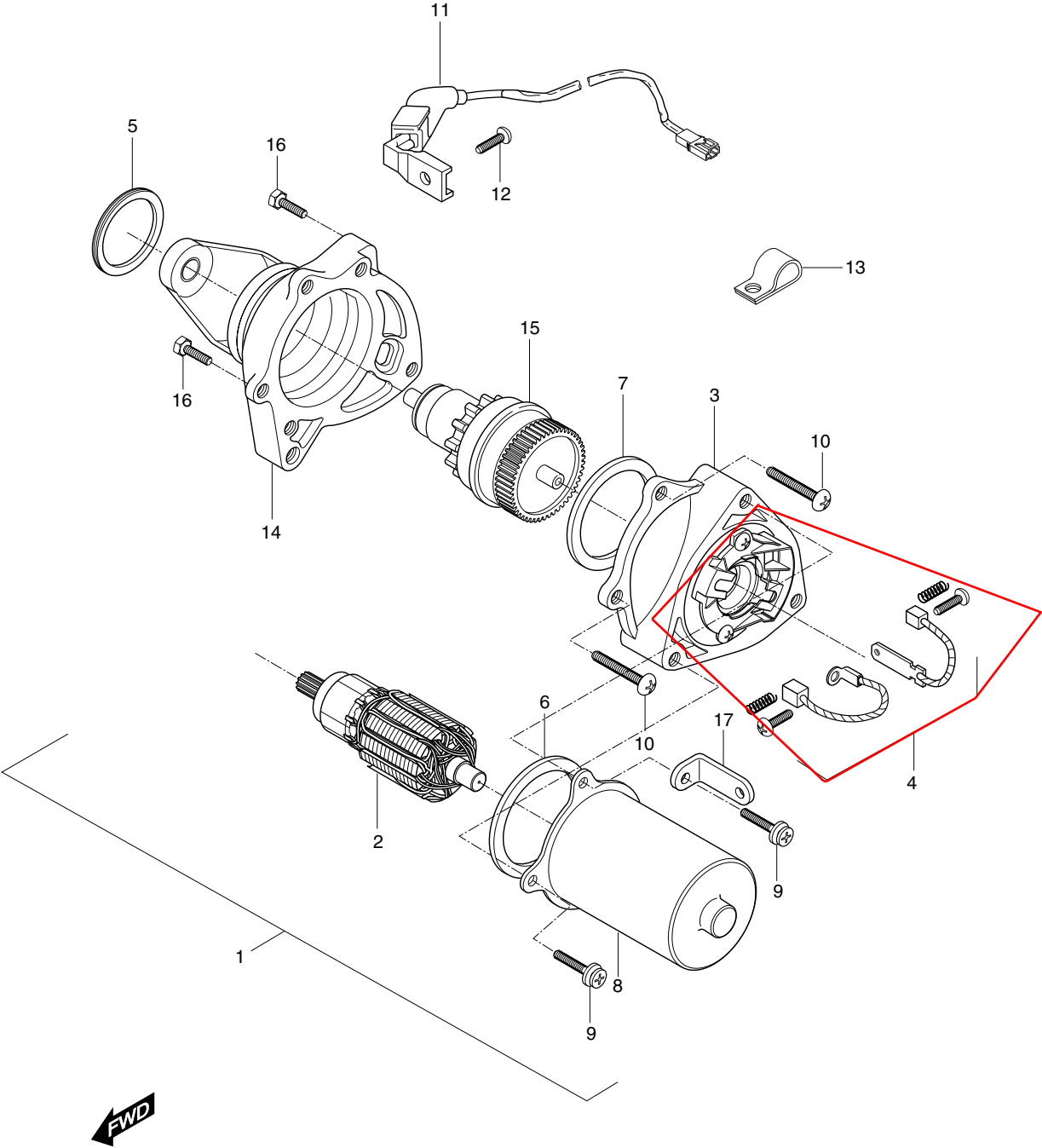


FIG 12. STARTING MOTOR

REF. NO. DOMESTIC	PARTS NUMBER.						PARTS NAME	USAGREMARKS (PCS)	REC.Q'TY (PCS)	
	ST01	LNE01	LUS01	NUS02	STR	ST2				
1	31100HK3101	31100HK3101	31100HK3101	31100HK3101	31100HK3101	31100HK3101	31100HK3101	MOTOR,starting	1	4
2	31311H11200	31311H11200	31311H11200	31311H11200	31311H11200	31311H11200	31311H11200	AMATEUR	1	
3	31175-02100	31175-02100	31175-02100	31175-02100	31175-02100	31175-02100	31175-02100	FRAME	1	
4	31130-02100	31130-02100	31130-02100	31130-02100	31130-02100	31130-02100	31130-02100	BRUSH SET	1	
5	31156-02100	31156-02100	31156-02100	31156-02100	31156-02100	31156-02100	31156-02100	O-RING	1	
6	31158-02540	31158-02540	31158-02540	31158-02540	31158-02540	31158-02540	31158-02540	GASKET	1	
7	31158-02100	31158-02100	31158-02100	31158-02100	31158-02100	31158-02100	31158-02100	O-RING	1	
8	31120HF1600	31120HF1600	31120HF1600	31120HF1600	31120HF1600	31120HF1600	31120HF1600	COVER,starting motor	NOT SALE	
9	31151-02100	31151-02100	31151-02100	31151-02100	31151-02100	31151-02100	31151-02100	SCREW A(M4*30)	3	5
10	31151-02540	31151-02540	31151-02540	31151-02540	31151-02540	31151-02540	31151-02540	SCREW B(M4*14)	2	5
11	31151-02100	31151-02100	31151-02100	31151-02100	31151-02100	31151-02100	31151-02100	LEAD WIRE	1	
12	31152-02540	31152-02540	31152-02540	31152-02540	31152-02540	31152-02540	31152-02540	SCREW	1	
13	31153H11A00	31153H11A00	31153H11A00	31153H11A00	31153H11A00	31153H11A00	31153H11A00	CLAMP, lead wire	1	
14	31132H11200	31132H11200	31132H11200	31132H11200	31132H11200	31132H11200	31132H11200	HOLDER	NOT SALE	
15	31370H11200	31370H11200	31370H11200	31370H11200	31370H11200	31370H11200	31370H11200	PINION GEAR ASS'Y	1	5
16	02112-06608	02112-06608	02112-06608	02112-06608	02112-06608	02112-06608	02112-06608	SCREW,starting motor mounting(M	2	
17	31154HB1100	31154HB1100	31154HB1100	31154HB1100	31154HB1100	31154HB1100	31154HB1100	CLAMP	1	

FIG 13

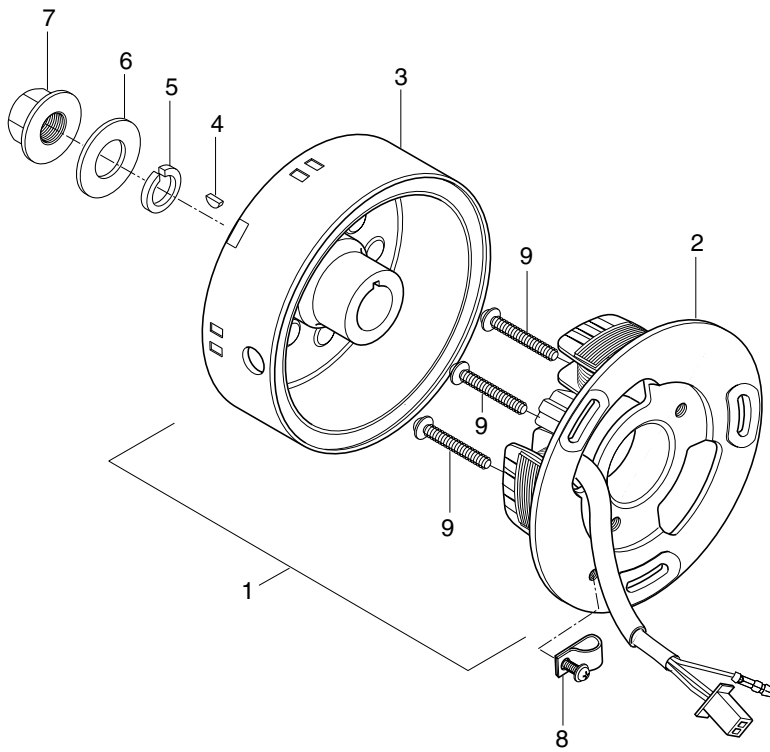


FIG 13. MAGNETO

REF. NO. DOMESTIC	PARTS NUMBER.						PARTS NAME	USAGREMARKS (PCS)	REC.Q'TY (PCS)
	ST01	LNE01	LUS01	NUS02	STR	ST2			
1	32100HL2300	32100HL2300	32100HL2300				32100HL2300	MAGNETO,assy	1
				32100HK3150	32100HK3150	32100HK3150		MAGNETO,assy	1
2	32101HL2300	32101HL2300	32101HL2300				32101HL2300	STATOR,assy	1
				32101HK3100	32101HK3100	32101HK3100		STATOR,assy	1
3	32102H11A00	32102H11A00	32102H11A00	32102H11A00	32102H11A00	32102H11A00	32102H11A00	ROTOR,assy	1
4	08341-31039	08341-31039	08341-31039	08341-31039	08341-31039	08341-31039	08341-31039	KEY,magneto	1
5	08322-21108	08322-21108	08322-21108	08322-21108	08322-21108	08322-21108	08322-21108	WASHER	1
6	08321-31108	08321-31108	08321-31108	08321-31108	08321-31108	08321-31108	08321-31108	LOCK WASHER,magneto	1
7	08316-26108	08316-26108	08316-26108	08316-26108	08316-26108	08316-26108	08316-26108	NUT,magneto rotor(M10)	1
8	09404-16404	09404-16404	09404-16404	09404-16404	09404-16404	09404-16404	09404-16404	CLAMP,magneto lead wire	1
9	09132H05128	09132H05128	09132H05128	09132H05128	09132H05128	09132H05128	09132H05128	SCREW,magneto stator(M5*12)	3

FIG 14

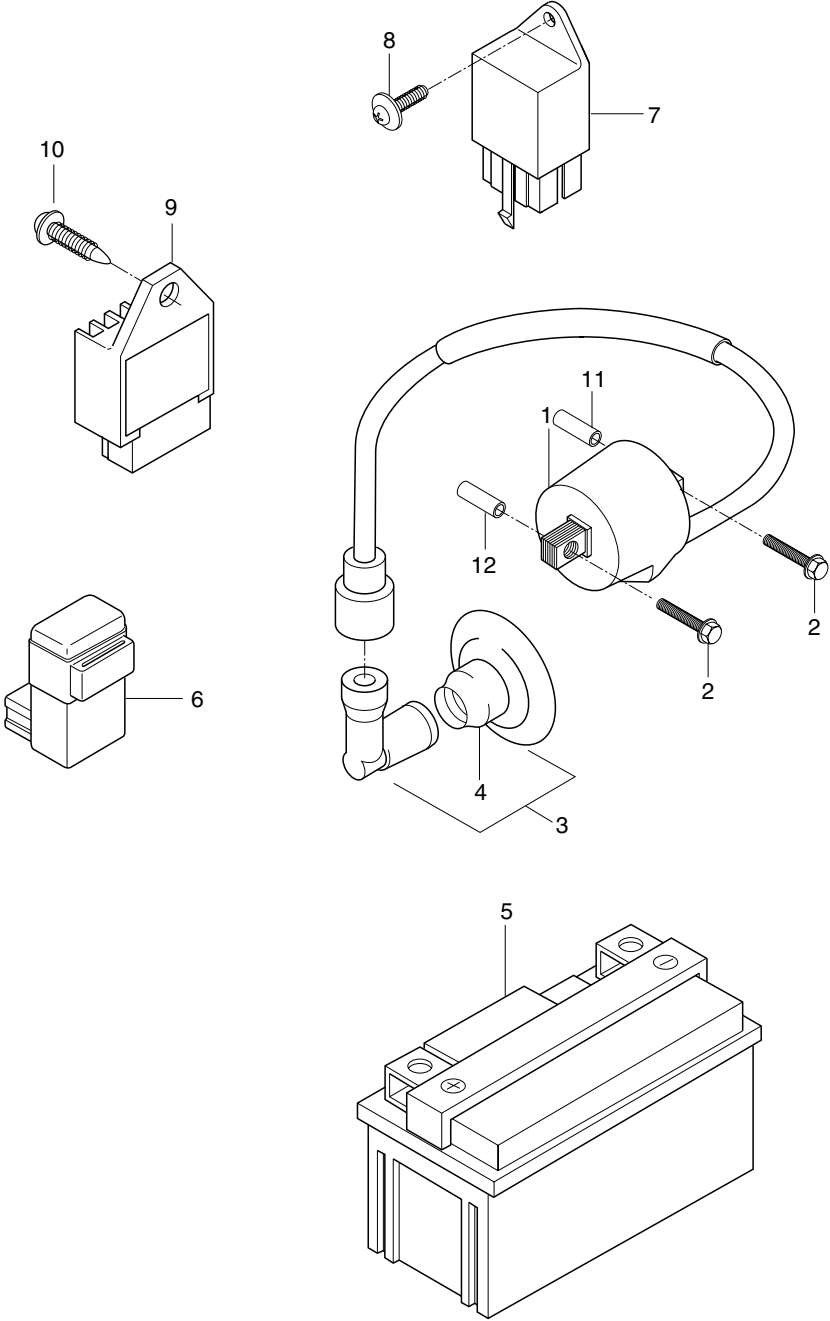


FIG 14. ELECTRICAL

REF. NO. DOMESTIC	PARTS NUMBER.						PARTS NAME	USAGE (PCS)	REMARKS	REC.Q'TY (PCS)
	ST01	LNE01	LUS01	NUS02	STR	ST2				
1	33410HK3101	33410HK3101	33410HK3101	33410HK3101	33410HK3101	33410HK3101	33410HK3101	COIL,ignition assy	1	2
2	01517-06308	01517-06308	01517-06308	01517-06308	01517-06308	01517-06308	01517-06308	BOLT,ignition coil(M6*30)	2	
3	33510H11200	33510H11200	33510H11200	33510H11200	33510H11200	33510H11200	33510H11200	CAP,spark plug	1	3
4	33543HG2600	33543HG2600	33543HG2600	33543HG2600	33543HG2600	33543HG2600	33543HG2600	BOOT,spark plug	1	
5	33610-40B12	33610-40B12	33610-40B12	33610-40B12	33610-40B12	33610-40B12	33610-40B12	BATTERY,(STXSL-BS)(12V4A)	1	7
6	32900H11201	32900H11201	32900H11201	32900H11201	32900H11201	32900H11201	32900H11201	CDI,unit	1	5
7	31800H47A00	31800H47A00	31800H47A00	31800H47A00	31800H47A00	31800H47A00	31800H47A00	RELAY,starting motor	1	5
8	09136H06114	09136H06114	09136H06114	09136H06114	09136H06114	09136H06114	09136H06114	SCREW,ignition coil(M6*12)	1	
9	32800-36C20	32800-36C20	32800-36C20	32800-36C20	32800-36C20	32800-36C20	32800-36C20	RECTIFIER,assy	1	5
10	02112-06168	02112-06168	02112-06168	02112-06168	02112-06168	02112-06168	02112-06168	SCREW,rectifier	1	
11	09180-06030	09180-06030	09180-06030	09180-06030	09180-06030	09180-06030	09180-06030	SPACER,ignition coil	2	

FIG 15

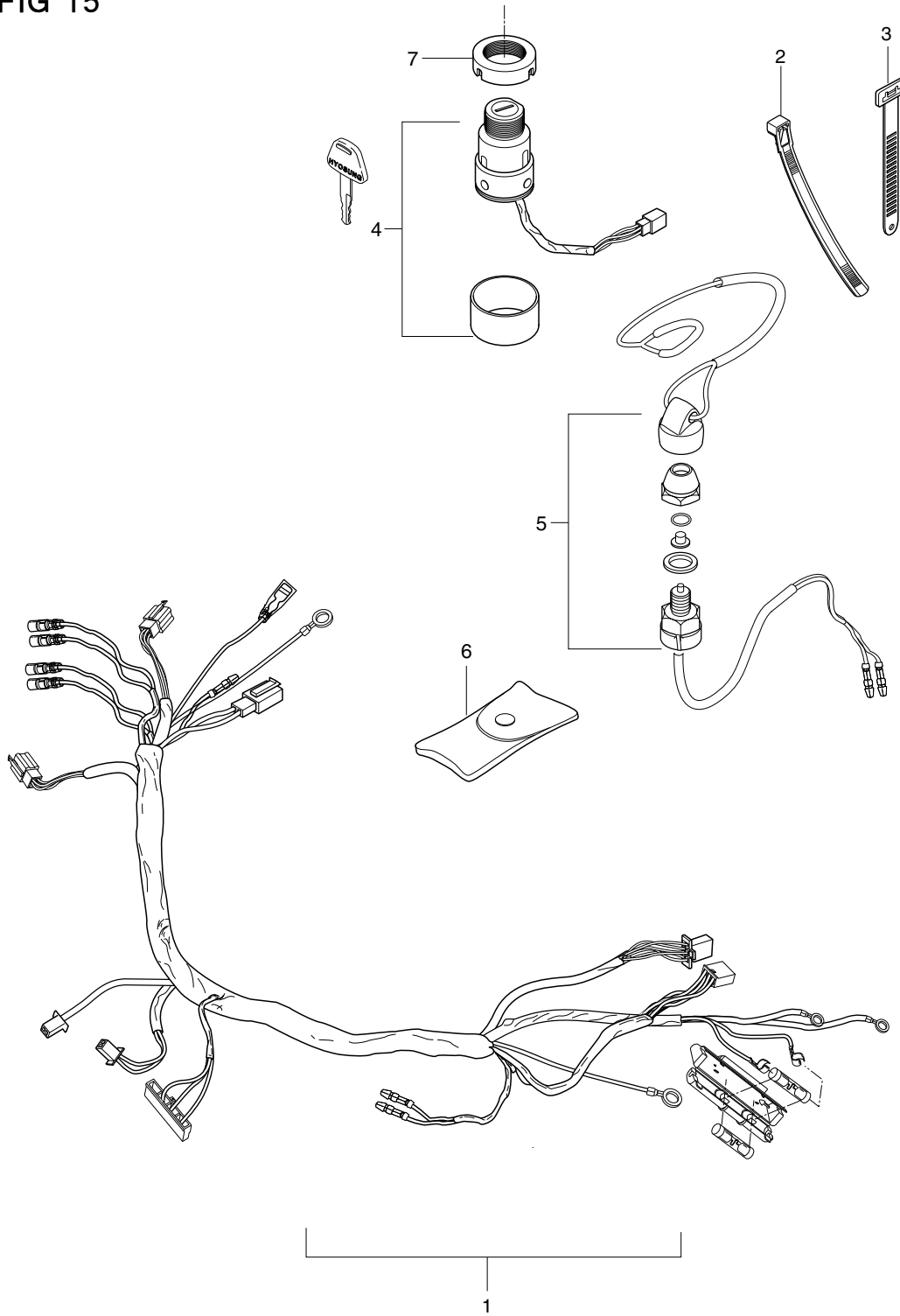


FIG 15. WIRING HARNESS

REF. NO. DOMESTIC	PARTS NUMBER.						PARTS NAME	USAGE (PCS)	REMARKS	REC.Q'TY (PCS)
	ST01	LNE01	LUS01	NUS02	STR	ST2				
1	36610HL2302	36610HL2302	36610HL2302				WIRING HARNESS	1		
				36610HK3150	36610HK3150	36610HK3150	WIRING HARNESS	1		2
							36610HN3140	1		
2	09407-14403	09407-14403	09407-14403	09407-14403	09407-14403	09407-14403	09407-14403	10	CLAMP,wiring harness	
3	09407-18401	09407-18401	09407-18401	09407-18401	09407-18401	09407-18401	09407-18401	1	BAND,wire	
4	37110-25319	37110-25319	37110-25319	37110-25319	37110-25319	37110-25319	37110-25319	1	SWITCH ASS'Y,steering	5
5	37820HK3100	37820HK3100	37820HK3100	37820HK3100	37820HK3100	37820HK3100	37820HK3100	1	SWITCH ASS'Y,emergency	5
6	37910HK3100	37910HK3100	37910HK3100	37910HK3100	37910HK3100	37910HK3100	37910HK3100	1	CASE,emergency switch	
7	37115H05300	37115H05300	37115H05300	37115H05300	37115H05300	37115H05300	37115H05300	1	BRACKET, ignition switch	

FIG 16

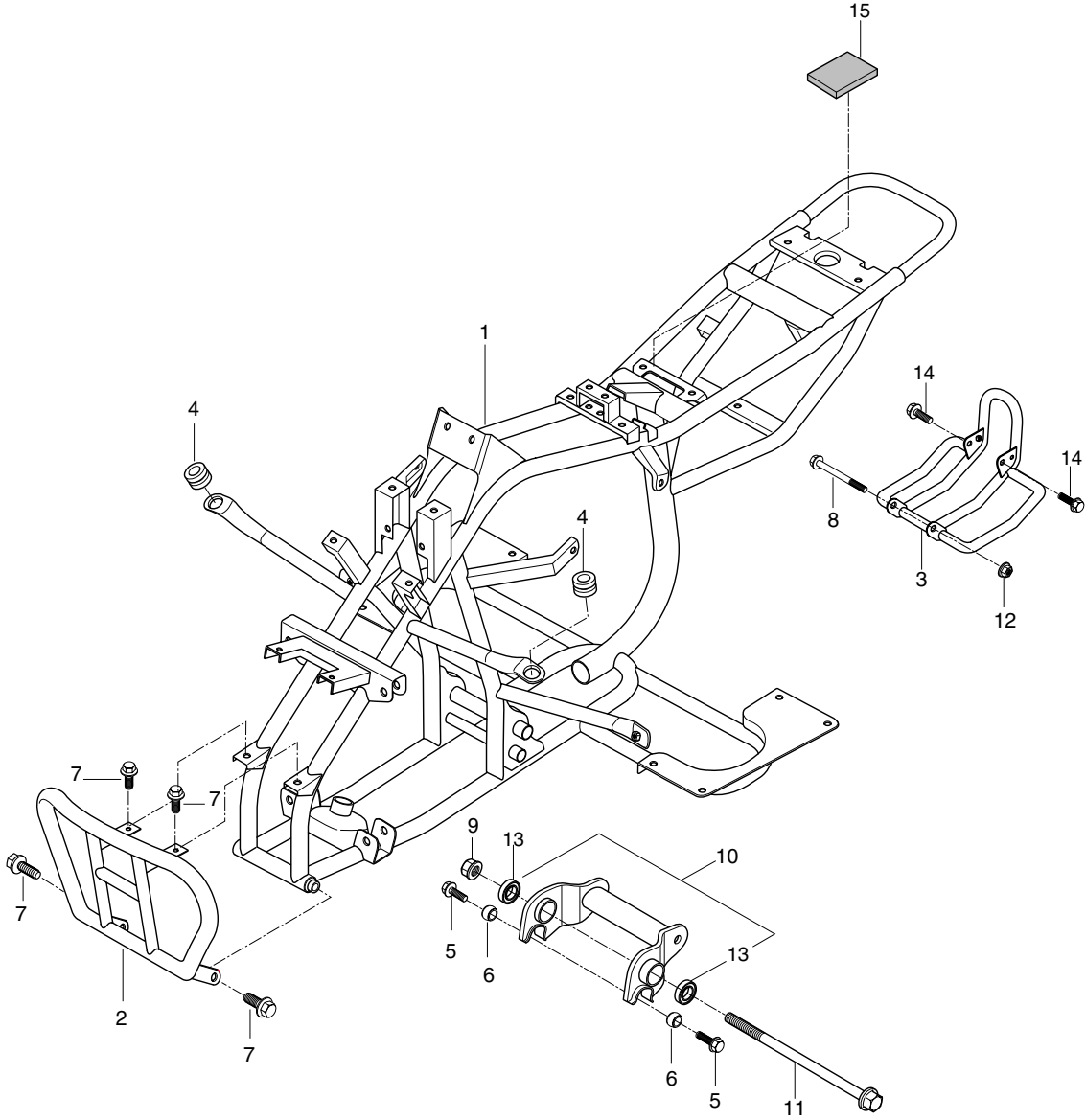


FIG 16. FRAME

REF. NO. DOMESTIC	PARTS NUMBER.						PARTS NAME	USAGREMARKS (PCS)	REC.Q'TY (PCS)
	ST01	LNE01	LUS01	NUS02	STR	ST2			
1	41100HK3113PAM	41100HK3113PAM	41100HK3113PAM				FRAME,comp	1	
1-1				41100HK315203P	41100HK315203P	41100HK315203P	41100HK315203P	FRAME,comp	1
2	43990HK3103PAM	43990HK3103PAM	43990HK3103PAM	43990HK3103PAM	43990HK3103PAM	43990HK3103PAM	43990HK3103PAM	GRIP COMP, front	1
3	61390HK3103120	61390HK3103120	61390HK3103120	61390HK3103120	61390HK3103120	61390HK3103120	61390HK3103120	GUARD COMP, under	1
4	09320-11008	09320-11008	09320-11008	09320-11008	09320-11008	09320-11008	09320-11008	CUSHION,front fender	2
5	01517-10306	01517-10306	01517-10306	01517-10306	01517-10306	01517-10306	01517-10306	BOLT (M10),(L=30)	2
6	09320-10023	09320-10023	09320-10023	09320-10023	09320-10023	09320-10023	09320-10023	CUSHION,swing stop	2
7	01517-06166	01517-06166	01517-06166	01517-06166	01517-06166	01517-06166	01517-06166	BOLT,front grip(M6),(L=16)	4
8	09103H10022	09103H10022	09103H10022	09103H10022	09103H10022	09103H10022	09103H10022	BOLT,under guard front(M10),(L=1	1
9	08319-31126	08319-31126	08319-31126	08319-31126	08319-31126	08319-31126	08319-31126	NUT,engine mounting(M12)	1
10	61110HK3100HPA	61110HK3100HPA	61110HK3100HPA	61110HK3100HPA	61110HK3100HPA	61110HK3100HPA	61110HK3100HPA	LINK COMP,engine mounting	1
11	09103H12047	09103H12047	09103H12047	09103H12047	09103H12047	09103H12047	09103H12047	BOLT,engine mounting(M12),(L=2	1
12	08316-26108	08316-26108	08316-26108	08316-26108	08316-26108	08316-26108	08316-26108	NUT,under guard front(M10)	1
13	09319-12036	09319-12036	09319-12036	09319-12036	09319-12036	09319-12036	09319-12036	BUSH,engine mounting(ø30.1,L=22	2
14	01517-08166	01517-08166	01517-08166	01517-08166	01517-08166	01517-08166	01517-08166	BOLT,under guard rear(M8),(L=16,	2
15	44281-29C00	44281-29C00	44281-29C00	44281-29C00	44281-29C00	44281-29C00	44281-29C00	CUSHION,oil tank lower(30*30*12	1

FIG 17

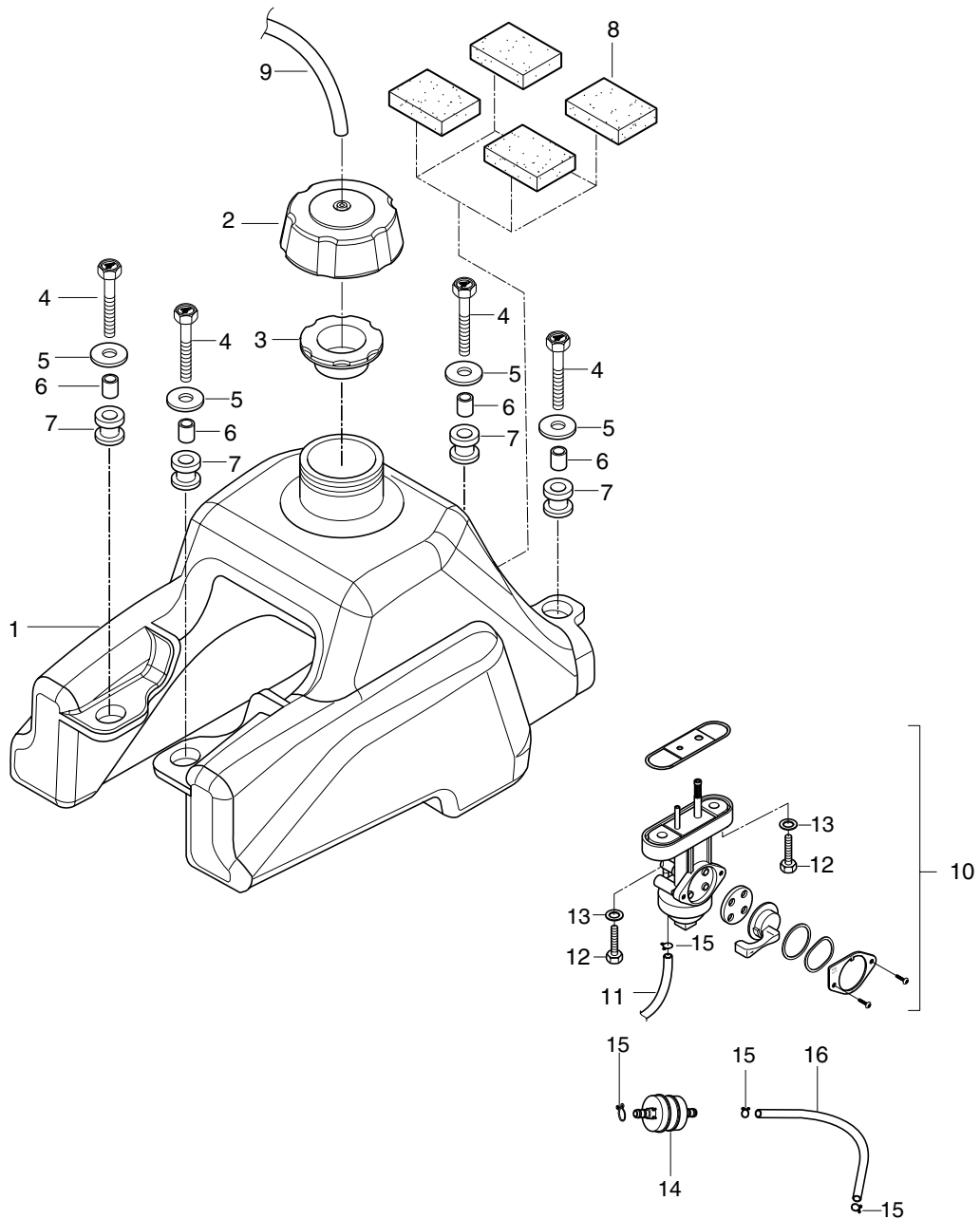


FIG 17. FUEL TANK

REF. NO. DOMESTIC	PARTS NUMBER.						PARTS NAME	USAGREMARKS (PCS)	REC.Q'TY (PCS)	
	ST01	LNE01	LUS01	NUS02	STR	ST2				
1	44110HK3103	44110HK3103	44110HK3103	44110HK3103	44110HK3103	44110HK3103	44110HK3103	TANK,fuel	1	1
2	44211HG5801	44211HG5801	44211HG5801	44211HG5801	44211HG5801	44211HG5801	44211HG5801	CAP,fuel tank filler	1	
3	44248-05210	44248-05210	44248-05210	44248-05210	44248-05210	44248-05210	44248-05210	GASKET,fuel tank filler cap	1	
4	01107-06256	01107-06256	01107-06256	01107-06256	01107-06256	01107-06256	01107-06256	BOLT,fuel tank(M6*25)	4	
5	09160-06004	09160-06004	09160-06004	09160-06004	09160-06004	09160-06004	09160-06004	WASHER,fuel tank(ø20*ø6.5*T1.2	4	
6	09180H06069	09180H06069	09180H06069	09180H06069	09180H06069	09180H06069	09180H06069	SPACER,fuel tank(ø14*ø6.5*H7.5)	4	
7	09320H10038	09320H10038	09320H10038	09320H10038	09320H10038	09320H10038	09320H10038	CUSHION,fuel tank	4	
8	44613HE7100	44613HE7100	44613HE7100	44613HE7100	44613HE7100	44613HE7100	44613HE7100	CUSHION,fuel tank lower(40*25*1	4	
9	09343-05052	09343-05052	09343-05052	09343-05052	09343-05052	09343-05052	09343-05052	HOSE,fuel tank brth(L=580)	1	
10	44300HG5802	44300HG5802	44300HG5802	44300HG5802	44300HG5802	44300HG5802	44300HG5802	COCK ASS'Y,fuel	1	4
11	44199HJ8200	44199HJ8200	44199HJ8200	44199HJ8200	44199HJ8200	44199HJ8200	44199HJ8200	HOSE,fuel No.1 & No.2(L=110)	2	
12	09128-06005	09128-06005	09128-06005	09128-06005	09128-06005	09128-06005	09128-06005	BOLT,fuel cock(M6*16)	2	
13	09168-06010	09168-06010	09168-06010	09168-06010	09168-06010	09168-06010	09168-06010	GASKET,fuel cock	2	
14	44910HG2600	44910HG2600	44910HG2600	44910HG2600	44910HG2600	44910HG2600	44910HG2600	STRAINER COMP,fuel	1	
15	09401-08401	09401-08401	09401-08401	09401-08401	09401-08401	09401-08401	09401-08401	CLIP,fuel hose No.1 & No.2	4	

FIG 18

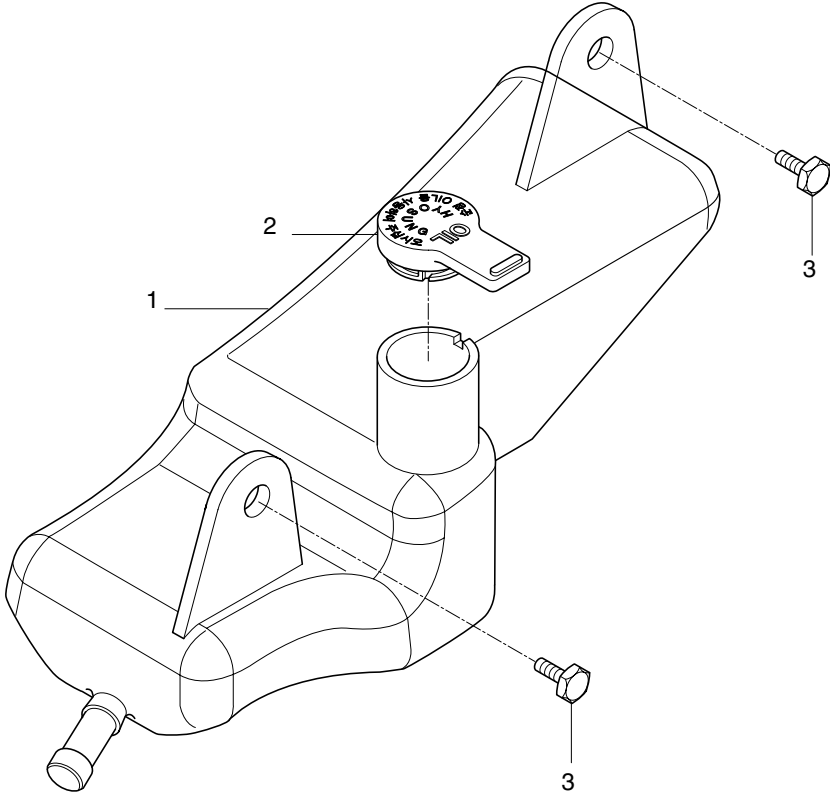


FIG 18. OIL TANK

REF. NO. DOMESTIC	PARTS NUMBER.						PARTS NAME	USAGE (PCS)	REMARKS	REC.Q'TY (PCS)
	ST01	LNE01	LUS01	NUS02	STR	ST2				
1	44611HK3102	44611HK3102	44611HK3102	44611HK3102	44611HK3102	44611HK3102	TANK,oil	1		3
2	44651HG2600	44651HG2600	44651HG2600	44651HG2600	44651HG2600	44651HG2600	CAP,oil tank filler	1		
3	09116-06010	09116-06010	09116-06010	09116-06010	09116-06010	09116-06010	BOLT,oil tank(M6*16)	2		
4	09160-06057	09160-06057	09160-06057	09160-06057	09160-06057	09160-06057	WASHER,oil tank(ϕ 18* ϕ 6.5*T1.6)	NOT SALE		

FIG 19

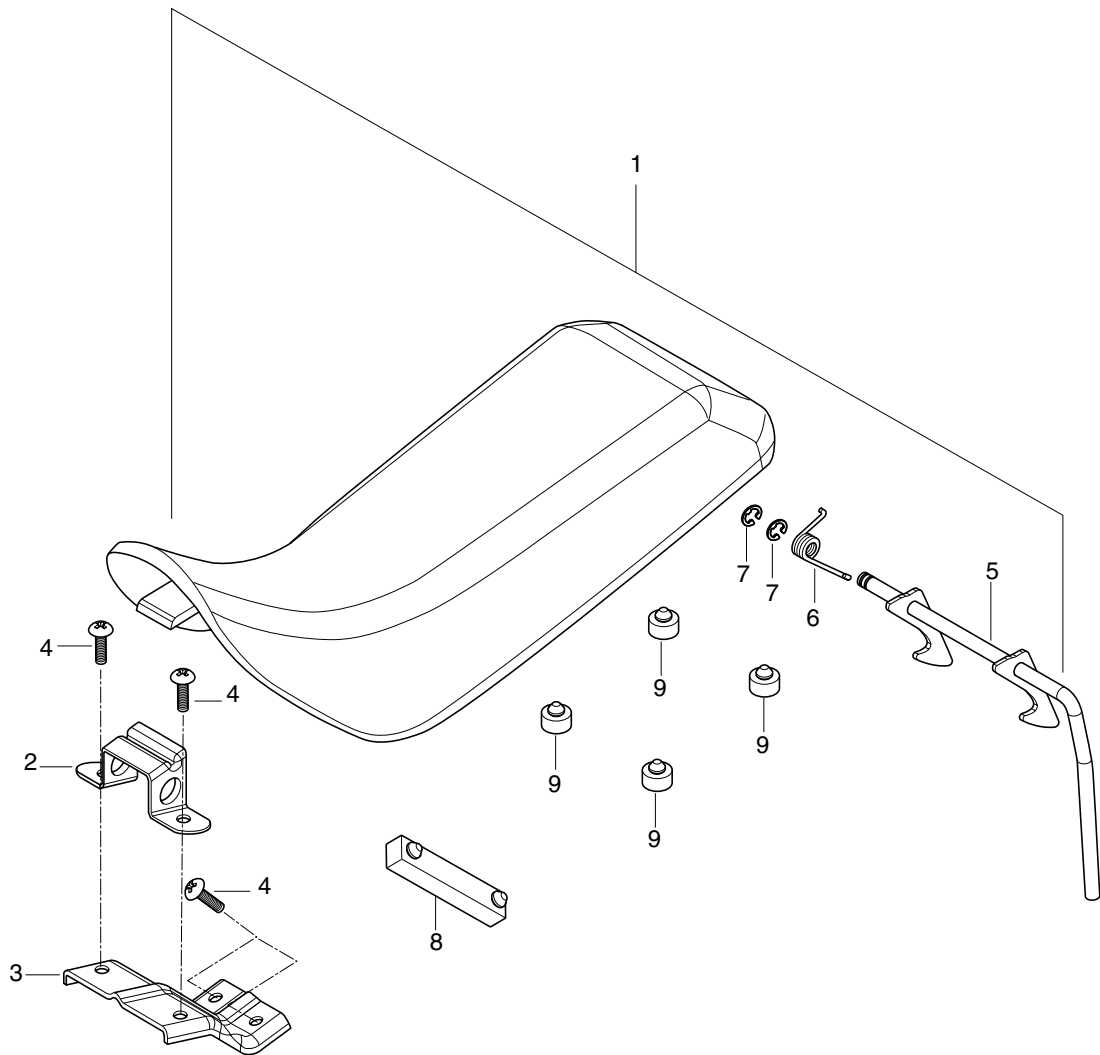


FIG 19. SEAT

REF. NO. DOMESTIC	PARTS NUMBER.						PARTS NAME	USAGREMARKS (PCS)	REC.Q'TY (PCS)
	ST01	LNE01	LUS01	NUS02	STR	ST2			
1	45100HK3102					45100HK3102	SEAT,set (BLUE)	1	
1-1	45100HK310258P					45100HK310258P	SEAT,set (BLACK)	1	2
1-2			45100HK3150				SEAT,set (BLUE)	1	
1-3			45100HK315058P				SEAT,set (BLACK)	1	
1-4	45100HK3160	45100HK3160		45100HK3160		45100HK3160	SEAT,set (BLUE)	1	
1-5	45100HK316058P	45100HK316058P		45100HK316058P		45100HK316058P	SEAT,set (BLACK)	1	
2	45119-02C00	45119-02C00	45119-02C00	45119-02C00	45119-02C00	45119-02C00	PLATE,seat front hook	1	
3	45118HK3100	45118HK3100	45118HK3100	45118HK3100	45118HK3100	45118HK3100	PLATE,seat front hook No.1	1	
4	02142-06126	02142-06126	02142-06126	02142-06126	02142-06126	02142-06126	SCREW,seat front hook plate(M6*1	4	
5	45210HK3100	45210HK3100	45210HK3100	45210HK3100	45210HK3100	45210HK3100	CLAMP COMP,seat	1	
6	45135-243A2	45135-243A2	45135-243A2	45135-243A2	45135-243A2	45135-243A2	SPRING,seat clamp	1	
7	08332-11066	08332-11066	08332-11066	08332-11066	08332-11066	08332-11066	E-RING,seat clamp	2	
8	09321-080A9	09321-080A9	09321-080A9	09321-080A9	09321-080A9	09321-080A9	CUSHION (ø60*ø20*T6.5)	1	
9	09321-100B2	09321-100B2	09321-100B2	09321-100B2	09321-100B2	09321-100B2	CUSHION (ø22*T10)	4	

FIG 20

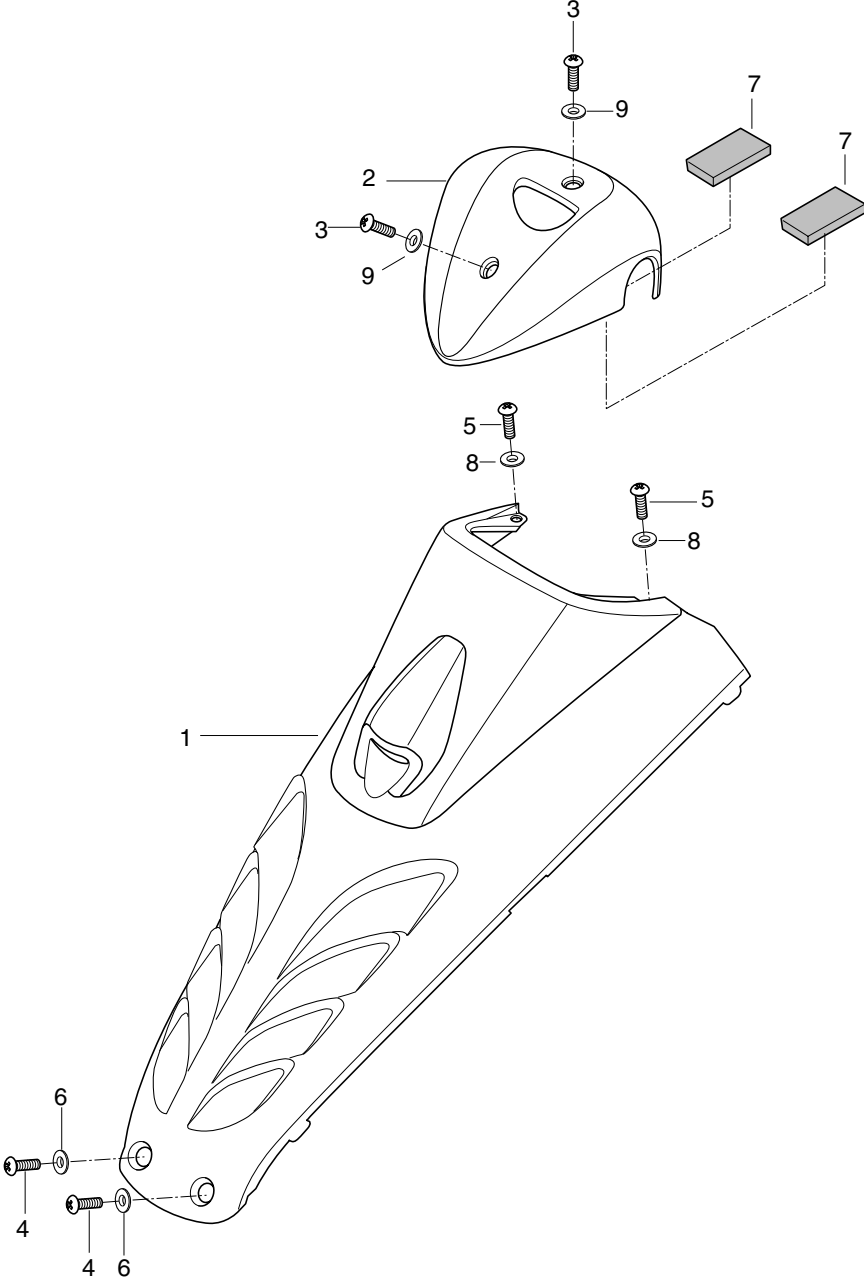


FIG 20. FENDER CENTER FRONT

REF. NO. DOMESTIC	PARTS NUMBER.						PARTS NAME	USAGREMARKS (PCS)	REC.Q'TY (PCS)	
	ST01	LNE01	LUS01	NUS02	STR	ST2				
1	53118HK3101291	53118HK3101291	53118HK3101291		53118HK3101291	53118HK3101291	53118HK3101291	FENDER,center front (0YB)	1	5
	53118HK31016B1	53118HK31016B1	53118HK31016B1	53118HK31016B1	53118HK31016B1	53118HK31016B1	53118HK31016B1	FENDER,center front (0BY)	1	
2	56171HK3100291	56171HK3100291	56171HK3100291		56171HK3100291	56171HK3100291	56171HK3100291	COVER,steering head (0YB)	1	
	56171HK31006B1	56171HK31006B1	56171HK31006B1	56171HK31006B1	56171HK31006B1	56171HK31006B1	56171HK31006B1	COVER,steering head (0BY)	1	
3	02142-05165	02142-05165	02142-05165	02142-05165	02142-05165	02142-05165	02142-05165	SCREW,steering head cover(M5*16)	2	
4	02142-05226	02142-05226	02142-05226	02142-05226	02142-05226	02142-05226	02142-05226	SCREW,center front fender front(M5*16)	2	
5	02142-05166	02142-05166	02142-05166	02142-05166	02142-05166	02142-05166	02142-05166	SCREW,center front fender rear(M5*16)	2	
6	08322-21056	08322-21056	08322-21056	08322-21056	08322-21056	08322-21056	08322-21056	WASHER,center FF fender FF(ø5.5)	2	
7	33652-01A10	33652-01A10	33652-01A10	33652-01A10	33652-01A10	33652-01A10	33652-01A10	CUSHION,steering head cover(40*10)	2	
8	09169-05007	09169-05007	09169-05007	09169-05007	09169-05007	09169-05007	09169-05007	WASHER,center front fender rear	2	
9	09169-05009	09169-05009	09169-05009	09169-05009	09169-05009	09169-05009	09169-05009	WASHER,steering head cover	2	

FIG 21

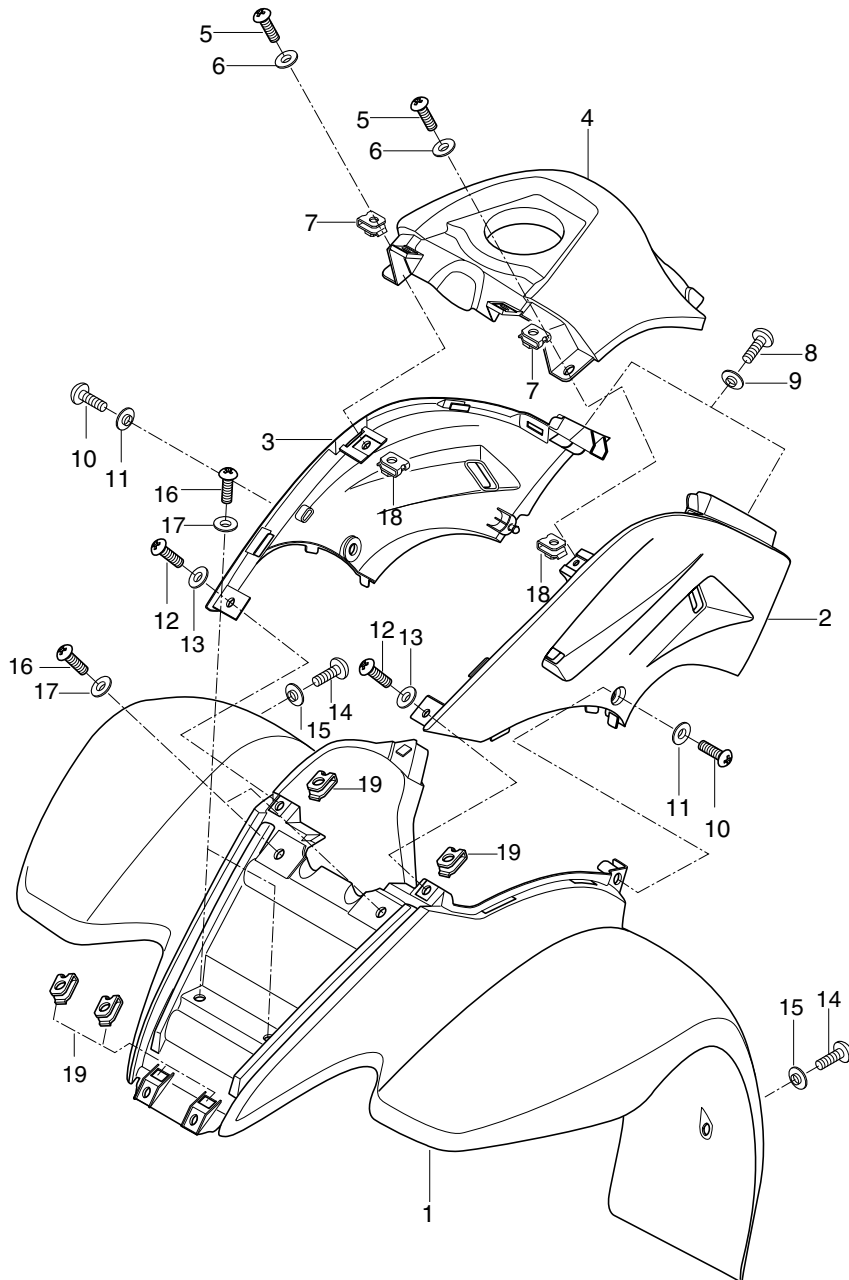


FIG21. FENDER FRONT

REF. NO.	PARTS NUMBER.							PARTS NAME	USAGREMARKS (PCS)	REC.Q'TY (PCS)
	DOMESTIC	ST01	LNE01	LUS01	NUS02	STR	ST2			
1	53111HK310116B	53111HK310116B	53111HK310116B	53111HK310116B	53111HK310116B	53111HK310116B	53111HK310116B	FENDER,front	1	5
2	47211HK310016B	47211HK310016B	47211HK310016B	47211HK310016B	47211HK310016B	47211HK310016B	47211HK310016B	COVER,side L	1	5
3	47111HK310016B	47111HK310016B	47111HK310016B	47111HK310016B	47111HK310016B	47111HK310016B	47111HK310016B	COVER,side R	1	2
4	53119HK3101291	53119HK3101291	53119HK3101291		53119HK3101291	53119HK3101291	53119HK3101291	FENDER,center rear (0YB)	1	5
	53119HK31016B1	53119HK31016B1	53119HK31016B1	53119HK31016B1	53119HK31016B1	53119HK31016B1	53119HK31016B1	FENDER,center rear (0BY)	1	5
5	02142-05166	02142-05166	02142-05166	02142-05166	02142-05166	02142-05166	02142-05166	SCREW,center rear fender front(M5)	2	
6	09169-05007	09169-05007	09169-05007	09169-05007	09169-05007	09169-05007	09169-05007	WASHER,center rear fender front	2	
7	09148-05039	09148-05039	09148-05039	09148-05039	09148-05039	09148-05039	09148-05039	NUT,center rear fender front(M5)	2	
8	02142-06166	02142-06166	02142-06166	02142-06166	02142-06166	02142-06166	02142-06166	SCREW,side cover rear(M6*14)	2	
9	09169-06032	09169-06032	09169-06032	09169-06032	09169-06032	09169-06032	09169-06032	WASHER,side cover rear	2	
10	02142-06206	02142-06206	02142-06206	02142-06206	02142-06206	02142-06206	02142-06206	SCREW,side cover lower FT(M6*2)	2	
11	08322-21066	08322-21066	08322-21066	08322-21066	08322-21066	08322-21066	08322-21066	WASHER,side cover lower FT(ø6.5)	2	
12	02142-05166	02142-05166	02142-05166	02142-05166	02142-05166	02142-05166	02142-05166	SCREW,side cover front upper(M5)	2	
13	09169-05007	09169-05007	09169-05007	09169-05007	09169-05007	09169-05007	09169-05007	WASHER,side cover front upper	2	
14	02142-06206	02142-06206	02142-06206	02142-06206	02142-06206	02142-06206	02142-06206	SCREW,front fender lower(M6*20)	2	
15	09169-06032	09169-06032	09169-06032	09169-06032	09169-06032	09169-06032	09169-06032	WASHER,front fender lower	2	
16	02142-06166	02142-06166	02142-06166	02142-06166	02142-06166	02142-06166	02142-06166	SCREW,front fender upper(M6*16)	4	
17	09169-06032	09169-06032	09169-06032	09169-06032	09169-06032	09169-06032	09169-06032	WASHER,front fender upper	4	
18	09148-05039	09148-05039	09148-05039	09148-05039	09148-05039	09148-05039	09148-05039	NUT,side cover center(M5)	2	
19	09148-05039	09148-05039	09148-05039	09148-05039	09148-05039	09148-05039	09148-05039	NUT,front fender upper(M5)	4	

FIG 22

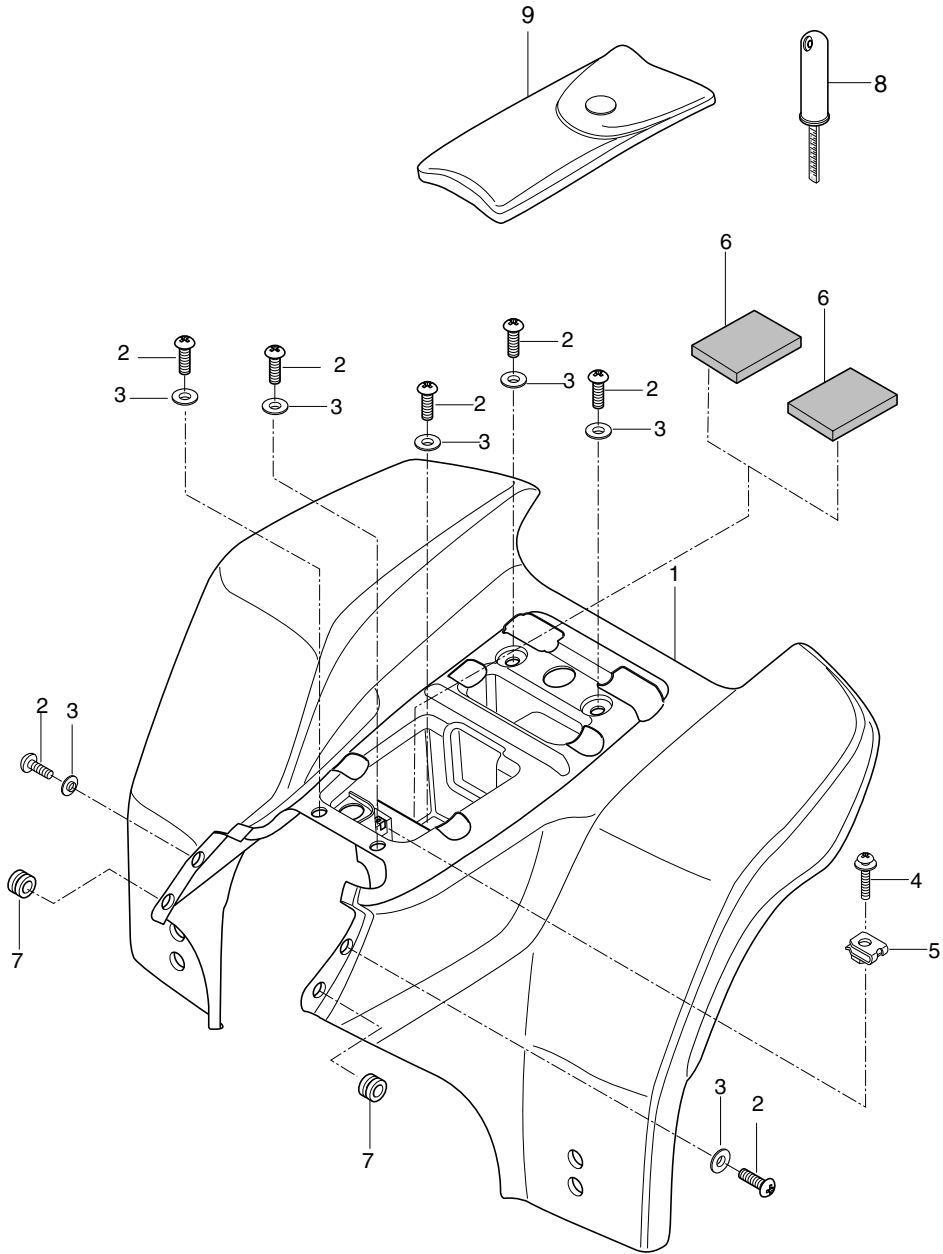


FIG 22. FENDER REAR

REF.	PARTS NUMBER.							PARTS NAME	USAGREMARKS (PCS)	REC.Q'TY (PCS)
	NO. DOMESTIC	ST01	LNE01	LUS01	NUS02	STR	ST2			
1	63111HK310216B	63111HK310216B	63111HK310216B	63111HK310216B	63111HK310216B	63111HK310216B	63111HK310216B	FENDER,rear	1	5
2	02142-06166	02142-06166	02142-06166	02142-06166	02142-06166	02142-06166	02142-06166	SCREW,rear fender(M6*16)	7	
3	09169-06032	09169-06032	09169-06032	09169-06032	09169-06032	09169-06032	09169-06032	WASHER,rear fender	7	
4	09136H06114	09136H06114	09136H06114	09136H06114	09136H06114	09136H06114	09136H06114	SCREW,starting motor relay & rear	1	
5	09148-06020	09148-06020	09148-06020	09148-06020	09148-06020	09148-06020	09148-06020	NUT,starting motor relay & rear fen	1	
6	33652-01A10	33652-01A10	33652-01A10	33652-01A10	33652-01A10	33652-01A10	33652-01A10	CUSHION,rear fender & battery(ø6	2	
7	09320-08028	09320-08028	09320-08028	09320-08028	09320-08028	09320-08028	09320-08028	CUSHION,rear fender front	2	
8	96200HK3100	96200HK3100	96200HK3100	96200HK3100	96200HK3100	96200HK3100	96200HK3100	GAUGE,assy air pressure	1	
9	09800HK3100	09800HK3100	09800HK3100	09800HK3100	09800HK3100	09800HK3100	09800HK3100	TOOL,assy	1	

FIG 23

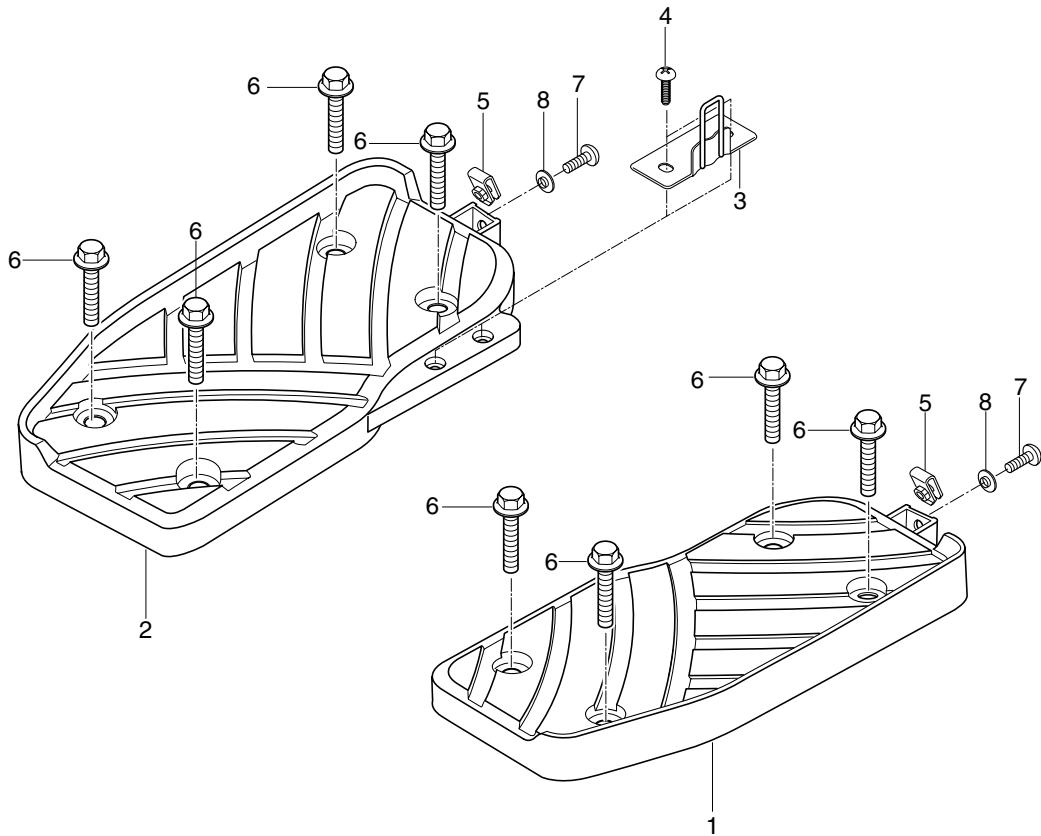


FIG 23. FOOTREST

REF. NO.	PARTS NUMBER.							PARTS NAME	USAGREMARKS (PCS)	REC.Q'TY (PCS)
	DOMESTIC	ST01	LNE01	LUS01	NUS02	STR	ST2			
1	43521HK310426B	43521HK310426B	43521HK310426B	43521HK310426B	43521HK310426B	43521HK310426B	43521HK310426B	43521HK310426B	FOOTREST,front L	1
2	43511HK310426B	43511HK310426B	43511HK310426B	43511HK310426B	43511HK310426B	43511HK310426B	43511HK310426B	43511HK310426B	FOOTREST,front R	1
3	45210HF1600	45210HF1600	45210HF1600	45210HF1600	45210HF1600	45210HF1600	45210HF1600	45210HF1600	GUARD,footrest RH	1
4	02142-06166	02142-06166	02142-06166	02142-06166	02142-06166	02142-06166	02142-06166	02142-06166	SCREW,footrest guard(M6*16)	2
5	09148-06020	09148-06020	09148-06020	09148-06020	09148-06020	09148-06020	09148-06020	09148-06020	NUT,footrest & RR fender(M6)	2
6	01517-06306	01517-06306	01517-06306	01517-06306	01517-06306	01517-06306	01517-06306	01517-06306	BOLT,front footrest(M6*30)	8
7	02142-06166	02142-06166	02142-06166	02142-06166	02142-06166	02142-06166	02142-06166	02142-06166	SCREW,footrest & rear fender(M6 ³)	2
8	09169-06032	09169-06032	09169-06032	09169-06032	09169-06032	09169-06032	09169-06032	09169-06032	WASHER,footrest & RR fender	2
9	43518HK3102	43518HK3102	43518HK3102	43518HK3102	43518HK3102	43518HK3102	43518HK3102	43518HK3102	BOLT,front footrest lower(M6*10)	8

FIG 24

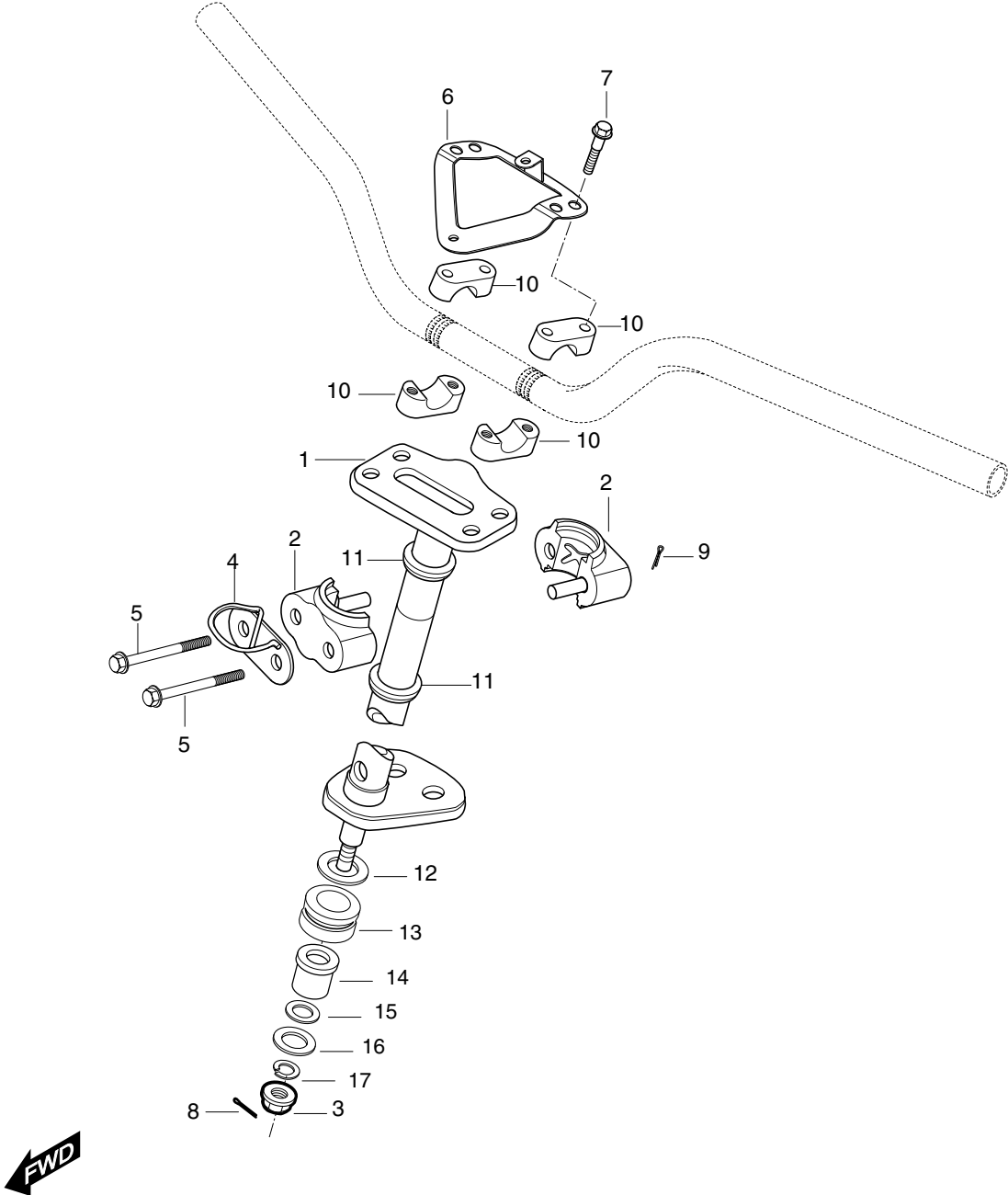


FIG 24. SHAFT COMP STEERING

REF. NO.	PARTS NUMBER.							PARTS NAME	USAGREMARKS (PCS)	REC.Q'TY (PCS)
	DOMESTIC	ST01	LNE01	LUS01	NUS02	STR	ST2			
1	51650HK3102	51650HK3102	51650HK3102	51650HK3102	51650HK3102	51650HK3102	51650HK3102	SHAFT,comp steering	1	1
2	51670-18902KOR	51670-18902KOR	51670-18902KOR	51670-18902KOR	51670-18902KOR	51670-18902KOR	51670-18902KOR	HOLDER,steering shaft	2	2
3	08319-31106	08319-31106	08319-31106	08319-31106	08319-31106	08319-31106	08319-31106	NUT,steering shaft(M10)	1	
4	51680HK3101	51680HK3101	51680HK3101	51680HK3101	51680HK3101	51680HK3101	51680HK3101	REINF,steering holder	1	
5	09103-08085KOR	09103-08085KOR	09103-08085KOR	09103-08085KOR	09103-08085KOR	09103-08085KOR	09103-08085KOR	BOLT,steering shaft(M8*60)	2	
6	56172HK3100	56172HK3100	56172HK3100	56172HK3100	56172HK3100	56172HK3100	56172HK3100	BRACKET,steering head cover	1	
7	01234-08556	01234-08556	01234-08556	01234-08556	01234-08556	01234-08556	01234-08556	BOLT,handle bar holder(M8*55)	4	
8	04111-20206	04111-20206	04111-20206	04111-20206	04111-20206	04111-20206	04111-20206	COTTER PIN,steer shaft lower	1	
9	04111-20206	04111-20206	04111-20206	04111-20206	04111-20206	04111-20206	04111-20206	COTTER PIN,steer shaft bolt	2	
10	56211-272A0	56211-272A0	56211-272A0	56211-272A0	56211-272A0	56211-272A0	56211-272A0	HOLDER,handle bar	4	
11	51678-18900KOR	51678-18900KOR	51678-18900KOR	51678-18900KOR	51678-18900KOR	51678-18900KOR	51678-18900KOR	DUST SEAT,steering shaft(32*22.2	2	
12	09380H30002	09380H30002	09380H30002	09380H30002	09380H30002	09380H30002	09380H30002	SNAP RING,dust seal	1	
13	51662-18900KOR	51662-18900KOR	51662-18900KOR	51662-18900KOR	51662-18900KOR	51662-18900KOR	51662-18900KOR	DUST SEAL,steering(35*24.6*13)	1	
14	51661-40B00KOR	51661-40B00KOR	51661-40B00KOR	51661-40B00KOR	51661-40B00KOR	51661-40B00KOR	51661-40B00KOR	BUSH,steering shaft lower	1	
15	09280-14003	09280-14003	09280-14003	09280-14003	09280-14003	09280-14003	09280-14003	O-RING,steering shaft lower(25*10	1	
16	09160-10068	09160-10068	09160-10068	09160-10068	09160-10068	09160-10068	09160-10068	WASHER,steering shaft low upper	1	
17	08321-31106	08321-31106	08321-31106	08321-31106	08321-31106	08321-31106	08321-31106	WASHER,steering shaft low lower	1	

FIG 25

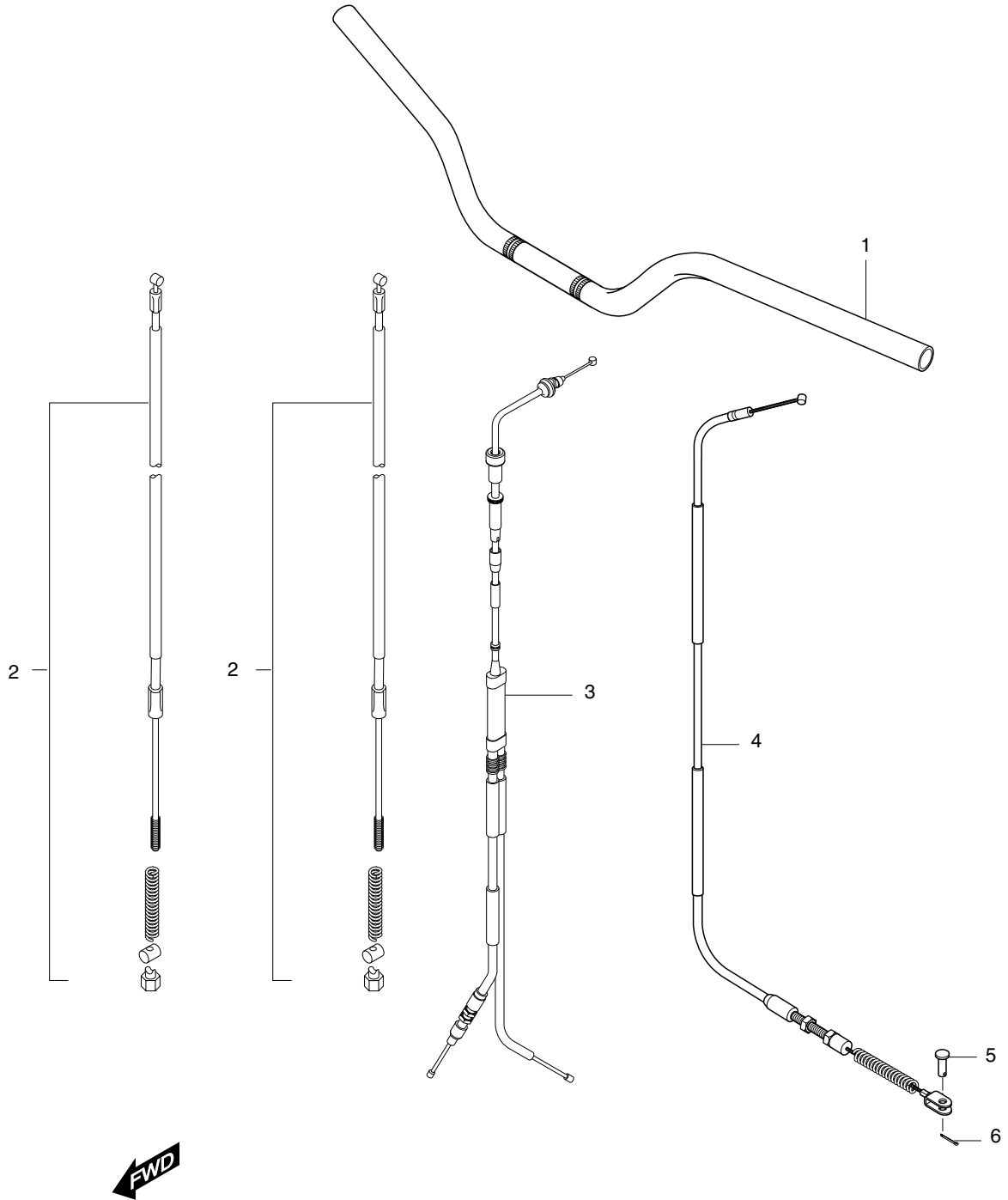


FIG 25. HANDLE BAR

REF.	PARTS NUMBER.							PARTS NAME	USAGEREMARKS (PCS)	REC.Q'TY (PCS)
	NO. DOMESTIC	ST01	LNE01	LUS01	NUS02	STR	ST2			
1	56111HK3103PAM	56111HK3103PAM	56111HK3103PAM	56111HK3103PAM	56111HK3103PAM	56111HK3103PAM	56111HK3103PAM	HANDLE BAR	1	1
2	58110HK3102	58110HK3102	58110HK3102	58110HK3102	58110HK3102	58110HK3102	58110HK3102	CABLE,assy front brake	2	
3	58300HK3104	58300HK3104	58300HK3104	58300HK3104	58300HK3104	58300HK3104	58300HK3104	CABLE,assy throttle	1	5
4	58510HK3103	58510HK3103	58510HK3103	58510HK3103	58510HK3103	58510HK3103	58510HK3103	CABLE,assy rear brake	1	
5	09200-06004	09200-06004	09200-06004	09200-06004	09200-06004	09200-06004	09200-06004	PIN,rear brake cable	1	
6	04111-20158	04111-20158	04111-20158	04111-20158	04111-20158	04111-20158	04111-20158	COTTER PIN, rear brake cable	1	

FIG 26

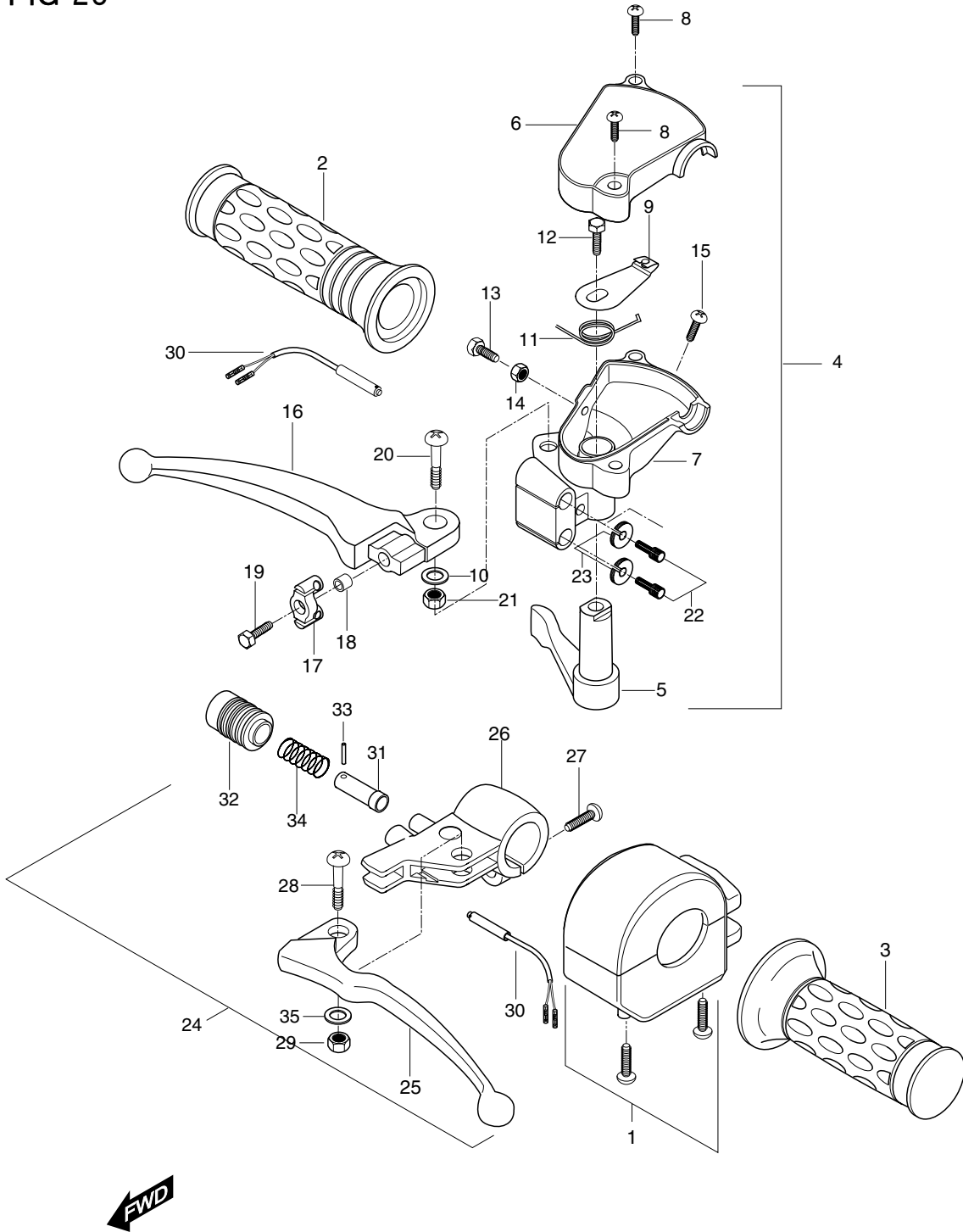


FIG 26. HANDLE SWITCH

REF.	PARTS NUMBER.							PARTS NAME	USAGI REMARKS (PCS)	REC.Q'TY (PCS)
	NO. DOMESTIC	ST01	LNE01	LUS01	NUS02	STR	ST2			
1	37400HK3100	37400HK3100	37400HK3100	37400HK3100	37400HK3100	37400HK3100	37400HK3100	SWITCH,assy handle LH	1	5
2	57311HK3100	57311HK3100	57311HK3100	57311HK3100	57311HK3100	57311HK3100	57311HK3100	GRIP,handle RH	1	3
3	57211HK3101	57211HK3101	57211HK3101	57211HK3101	57211HK3101	57211HK3101	57211HK3101	GRIP,handle LH	1	3
4	57100HK3104	57100HK3104	57100HK3104	57100HK3104	57100HK3104	57100HK3104	57100HK3104	LEVER,assy throttle & FT brake	1	4
5	57151HK3101	57151HK3101	57151HK3101	57151HK3101	57151HK3101	57151HK3101	57151HK3101	LEVER,throttle	1	
6	57131HK3100	57131HK3100	57131HK3100	57131HK3100	57131HK3100	57131HK3100	57131HK3100	COVER,throttle case	1	
7	57121HK3100	57121HK3100	57121HK3100	57121HK3100	57121HK3100	57121HK3100	57121HK3100	CASE,throttle lever	1	
8	02112-05165	02112-05165	02112-05165	02112-05165	02112-05165	02112-05165	02112-05165	SCREW,throttle case cover(M5*16)	2	
9	57158HK3100	57158HK3100	57158HK3100	57158HK3100	57158HK3100	57158HK3100	57158HK3100	ARM,throttle lever	1	
10	08321-51055	08321-51055	08321-51055	08321-51055	08321-51055	08321-51055	08321-51055	WASHER,front brake lever pivot	1	
11	57159HK3100	57159HK3100	57159HK3100	57159HK3100	57159HK3100	57159HK3100	57159HK3100	SPRING,throttle lever return	1	
12	09128-06072	09128-06072	09128-06072	09128-06072	09128-06072	09128-06072	09128-06072	BOLT,throttle lever	1	
13	09100-05001	09100-05001	09100-05001	09100-05001	09100-05001	09100-05001	09100-05001	BOLT,throttle adjuster	1	
14	08310-11055	08310-11055	08310-11055	08310-11055	08310-11055	08310-11055	08310-11055	NUT,throttle case(M5)	1	
15	02112-06205	02112-06205	02112-06205	02112-06205	02112-06205	02112-06205	02112-06205	SCREW,throttle case(M6*20)	1	
16	57621HK3100	57621HK3100	57621HK3100	57621HK3100	57621HK3100	57621HK3100	57621HK3100	LEVER,comp front brake	1	
17	57396HK3101	57396HK3101	57396HK3101	57396HK3101	57396HK3101	57396HK3101	57396HK3101	EQUILIZER	1	
18	09180H06250	09180H06250	09180H06250	09180H06250	09180H06250	09180H06250	09180H06250	BUSH	1	
19	09128-06027	09128-06027	09128-06027	09128-06027	09128-06027	09128-06027	09128-06027	BOLT,equilizer	1	
20	57431HK3100	57431HK3100	57431HK3100	57431HK3100	57431HK3100	57431HK3100	57431HK3100	BOLT,FT brake lever pivot	1	
21	08310-11055	08310-11055	08310-11055	08310-11055	08310-11055	08310-11055	08310-11055	NUT,FT brake lever pivot(M6)	1	
22	57441-26010	57441-26010	57441-26010	57441-26010	57441-26010	57441-26010	57441-26010	ADJUSTER,brake cable	2	
23	57442-26010	57442-26010	57442-26010	57442-26010	57442-26010	57442-26010	57442-26010	NUT,brake cable adjuster	2	
24	57500HK3102	57500HK3102	57500HK3102	57500HK3102	57500HK3102	57500HK3102	57500HK3102	LEVER,assy rear brake	1	
25	57421HK3100	57421HK3100	57421HK3100	57421HK3100	57421HK3100	57421HK3100	57421HK3100	LEVER,comp RR brake lever	1	
26	57321HK3100	57321HK3100	57321HK3100	57321HK3100	57321HK3100	57321HK3100	57321HK3100	HOLDER,rear brake lever	1	
27	02112-06205	02112-06205	02112-06205	02112-06205	02112-06205	02112-06205	02112-06205	SCREW,holder(M6*20)	1	
28	57431HK3100	57431HK3100	57431HK3100	57431HK3100	57431HK3100	57431HK3100	57431HK3100	BOLT,RR brake lever pivot	1	
29	08310-11055	08310-11055	08310-11055	08310-11055	08310-11055	08310-11055	08310-11055	NUT,RR brake lever pivot(M6)	1	
30	57460HK3100	57460HK3100	57460HK3100	57460HK3100	57460HK3100	57460HK3100	57460HK3100	SWITCH,assy RR brake	2	
31	57781-04600	57781-04600	57781-04600	57781-04600	57781-04600	57781-04600	57781-04600	PIN,brake lever stop	1	
32	57784-04600	57784-04600	57784-04600	57784-04600	57784-04600	57784-04600	57784-04600	COVER,RR brake cover stopper	1	
33	57785-04600	57785-04600	57785-04600	57785-04600	57785-04600	57785-04600	57785-04600	PIN,brake cover	1	
34	57783HK3100	57783HK3100	57783HK3100	57783HK3100	57783HK3100	57783HK3100	57783HK3100	SPRING,brake lever stopper pin	1	
35	08321-21055	08321-21055	08321-21055	08321-21055	08321-21055	08321-21055	08321-21055	WASHER,rear brake lever pivot	1	

FIG 27

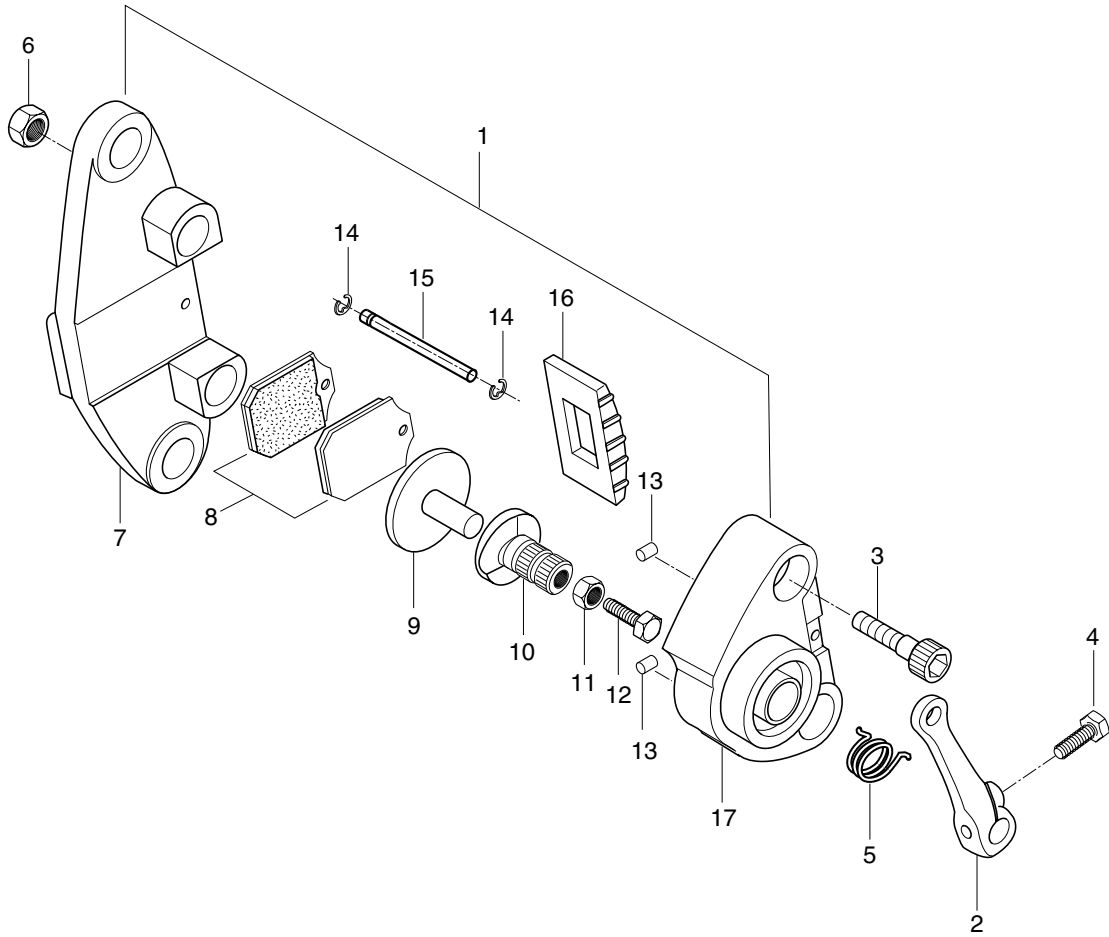


FIG 27. CALIPER

REF. NO. DOMESTIC	PARTS NUMBER.						PARTS NAME	USAGREMARKS (PCS)	REC.Q'TY (PCS)	
	ST01	LNE01	LUS01	NUS02	STR	ST2				
1	69300HK3104	69300HK3104	69300HK3104	69300HK3104	69300HK3104	69300HK3104	69300HK3104	CALIPER,assy rear	1	4
2	64451HK3101	64451HK3101	64451HK3101	64451HK3101	64451HK3101	64451HK3101	64451HK3101	LEVER,rear brake caliper	1	
3	57431H05D00	57431H05D00	57431H05D00	57431H05D00	57431H05D00	57431H05D00	57431H05D00	BOLT,caliper	2	
4	01107-06208	01107-06208	01107-06208	01107-06208	01107-06208	01107-06208	01107-06208	BOLT,rear brake lever(M6*1.6)	1	
5	09448H15001	09448H15001	09448H15001	09448H15001	09448H15001	09448H15001	09448H15001	SPRING,rear caliper lever return	1	
6	08310-11055	08310-11055	08310-11055	08310-11055	08310-11055	08310-11055	08310-11055	NUT,caliper pad push adjuster(M5)	1	
7	59311-21000	59311-21000	59311-21000	59311-21000	59311-21000	59311-21000	59311-21000	HOUSING, RH caliper	1	
8	59300-21000	59300-21000	59300-21000	59300-21000	59300-21000	59300-21000	59300-21000	PAD,brake	1	15
9	59322-21000	59322-21000	59322-21000	59322-21000	59322-21000	59322-21000	59322-21000	PLATE,pad push	1	
10	59321-21000	59321-21000	59321-21000	59321-21000	59321-21000	59321-21000	59321-21000	CAM,brake	1	
11	08310-11055	08310-11055	08310-11055	08310-11055	08310-11055	08310-11055	08310-11055	NUT,adjust(M5)	1	
12	01107-05305	01107-05305	01107-05305	01107-05305	01107-05305	01107-05305	01107-05305	BOLT,adjust(M5*30)	1	
13	09261-06930	09261-06930	09261-06930	09261-06930	09261-06930	09261-06930	09261-06930	ROLLER	1	
14	09383-25041	09383-25041	09383-25041	09383-25041	09383-25041	09383-25041	09383-25041	E-RING	1	
15	09209-21000	09209-21000	09209-21000	09209-21000	09209-21000	09209-21000	09209-21000	PIN,pad guide	1	
16	59340-21000	59340-21000	59340-21000	59340-21000	59340-21000	59340-21000	59340-21000	CAP	1	
17	59312-21000	59312-21000	59312-21000	59312-21000	59312-21000	59312-21000	59312-21000	HOUSING LH,caliper	1	

FIG 28

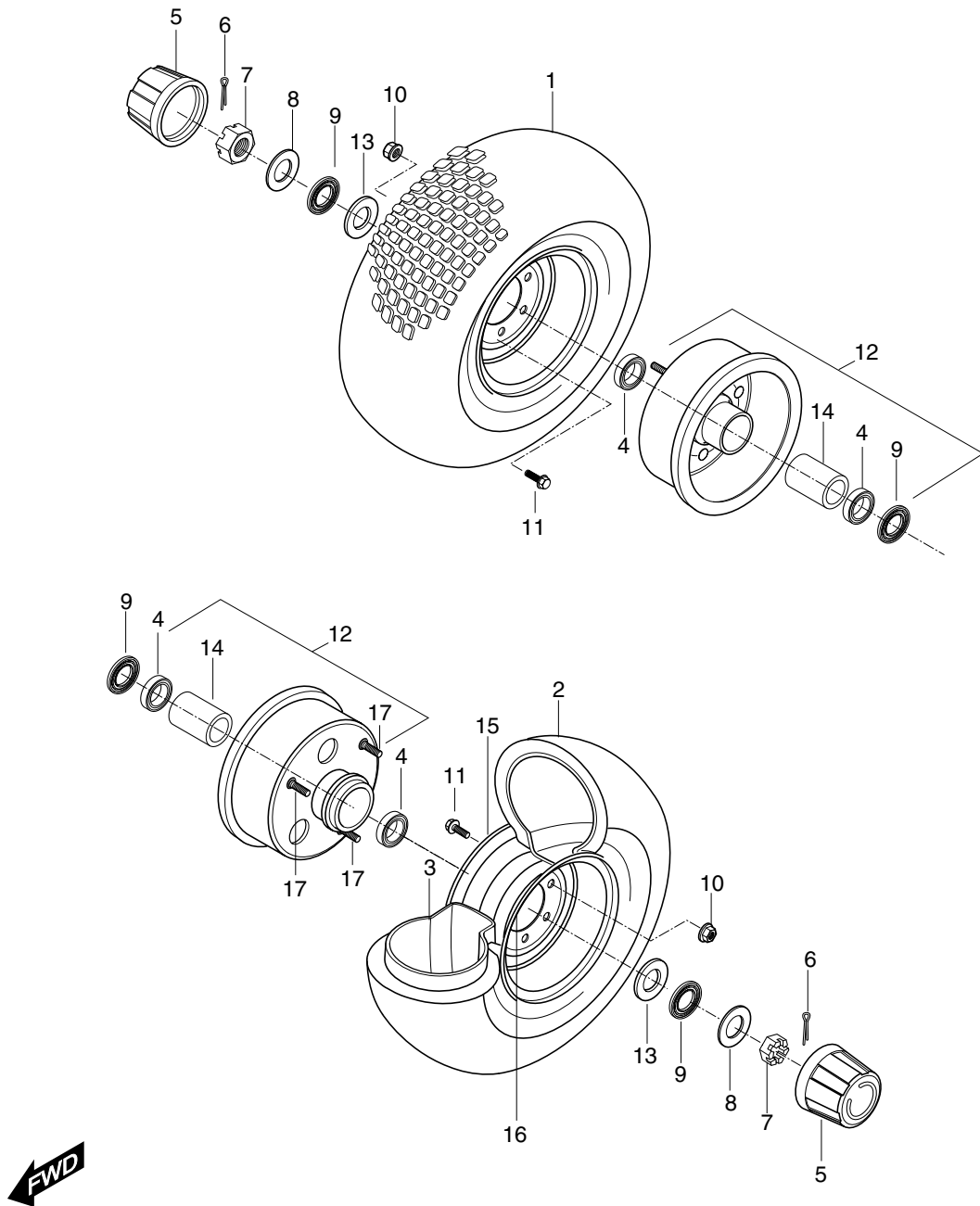


FIG 28. FRONT WHEEL

REF. NO.	PARTS NUMBER.							PARTS NAME	USAGREMARKS (PCS)	REC.Q'TY (PCS)
	DOMESTIC	ST01	LNE01	LUS01	NUS02	STR	ST2			
1	55102-04605	55102-04605	55102-04605	55102-04605	55102-04605	55102-04605	55102-04605	TIRE,set front	NOT SALE	
2	55100-04605	55100-04605	55100-04605	55100-04605	55100-04605	55100-04605	55100-04605	TIRE,comp front(145/70-6)	2	7
3	55200-04605	55200-04605	55200-04605	55200-04605	55200-04605	55200-04605	55200-04605	TUBE, ASS'Y	2	
4	08120-60027KOR	08120-60027KOR	08120-60027KOR	08120-60027KOR	08120-60027KOR	08120-60027KOR	08120-60027KOR	BEARING,front hub(15*32*9)	4	
5	54725HK3101	54725HK3101	54725HK3101	54725HK3101	54725HK3101	54725HK3101	54725HK3101	CAP,wheel center	2	
6	04111-30258	04111-30258	04111-30258	04111-30258	04111-30258	04111-30258	04111-30258	COTTER PIN,axle front	2	
7	08314-40146	08314-40146	08314-40146	08314-40146	08314-40146	08314-40146	08314-40146	NUT,front axle(M14)	2	
8	08322-11148	08322-11148	08322-11148	08322-11148	08322-11148	08322-11148	08322-11148	WASHER,front wheel	2	
9	54841-04200	54841-04200	54841-04200	54841-04200	54841-04200	54841-04200	54841-04200	SEAL, FT hub brg(32*20*3)	4	
10	08316-16086	08316-16086	08316-16086	08316-16086	08316-16086	08316-16086	08316-16086	NUT,front wheel(M8)	12	
11	09106-08114	09106-08114	09106-08114	09106-08114	09106-08114	09106-08114	09106-08114	BOLT,front wheel(M8*16)	6	
12	54110HK3104HPA	54110HK3104HPA	54110HK3104HPA	54110HK3104HPA	54110HK3104HPA	54110HK3104HPA	54110HK3104HPA	HUB,comp front wheel	2	2
13	54741-04200KOR	54741-04200KOR	54741-04200KOR	54741-04200KOR	54741-04200KOR	54741-04200KOR	54741-04200KOR	SPACER,front axle	2	
14	54741-04200KOR	54741-04200KOR	54741-04200KOR	54741-04200KOR	54741-04200KOR	54741-04200KOR	54741-04200KOR	SPACER,front hub bearing	2	
15	65312HK3100999	65312HK3100999	65312HK3100999	65312HK3100999	65312HK3100999	65312HK3100999	65312HK3100999	RIM,wheel front inner(4.50D*6,silv	2	7
16	65313HK3100999	65313HK3100999	65313HK3100999	65313HK3100999	65313HK3100999	65313HK3100999	65313HK3100999	RIM,wheel front outer(4.50D*6,silv	2	7
17	09119-08050KOR	09119-08050KOR	09119-08050KOR	09119-08050KOR	09119-08050KOR	09119-08050KOR	09119-08050KOR	BOLT,hub(M8*17)	6	

FIG 29

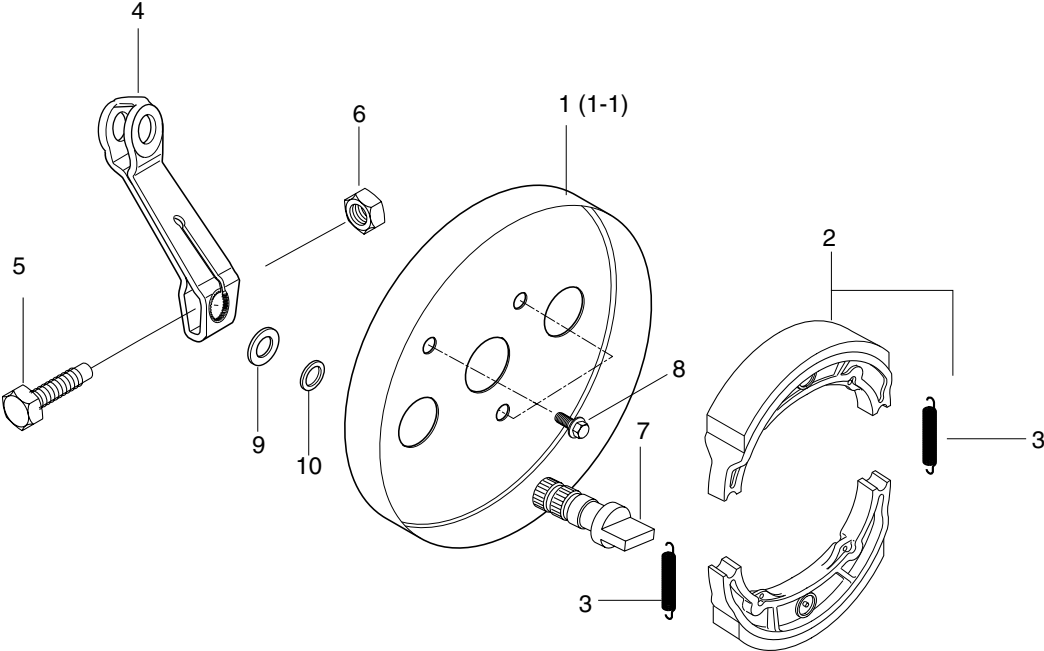


FIG 29. FRONT BRAKE

REF. NO. DOMESTIC	PARTS NUMBER.						PARTS NAME	USAGREMARKS (PCS)	REC.Q'TY (PCS)
	ST01	LNE01	LUS01	NUS02	STR	ST2			
1	54511HK3106	54511HK3106	54511HK3106	54511HK3106	54511HK3106	54511HK3106	54511HK3106	PLATE,front brake RH	1
1-1	54611HK3106	54611HK3106	54611HK3106	54611HK3106	54611HK3106	54611HK3106	54611HK3106	PLATE,front brake LH	1
2	64400HK3100	64400HK3100	64400HK3100	64400HK3100	64400HK3100	64400HK3100	64400HK3100	SHOE,comp front brake	4
3	09443H08025	09443H08025	09443H08025	09443H08025	09443H08025	09443H08025	09443H08025	SPRING,front brake shoe(L=32)	4
4	54451HK3102	54451HK3102	54451HK3102	54451HK3102	54451HK3102	54451HK3102	54451HK3102	LEVER,front brake cam	2
5	12812-30A00	12812-30A00	12812-30A00	12812-30A00	12812-30A00	12812-30A00	12812-30A00	BOLT,rear brake cam lever(M6*31)	2
6	08316-16068	08316-16068	08316-16068	08316-16068	08316-16068	08316-16068	08316-16068	NUT,rear brake cam lever(M6)	2
7	54441HK3103	54441HK3103	54441HK3103	54441HK3103	54441HK3103	54441HK3103	54441HK3103	CAM,front brake	2
8	09100-06158	09100-06158	09100-06158	09100-06158	09100-06158	09100-06158	09100-06158	BOLT,front brake plate(M6*8)	6
9	09160-12011	09160-12011	09160-12011	09160-12011	09160-12011	09160-12011	09160-12011	WASHER,front brake cam(ø20*ø12)	2
10	09280H14005	09280H14005	09280H14005	09280H14005	09280H14005	09280H14005	09280H14005	O-RING,front brake cam(ID:11.4*E)	2

FIG 30

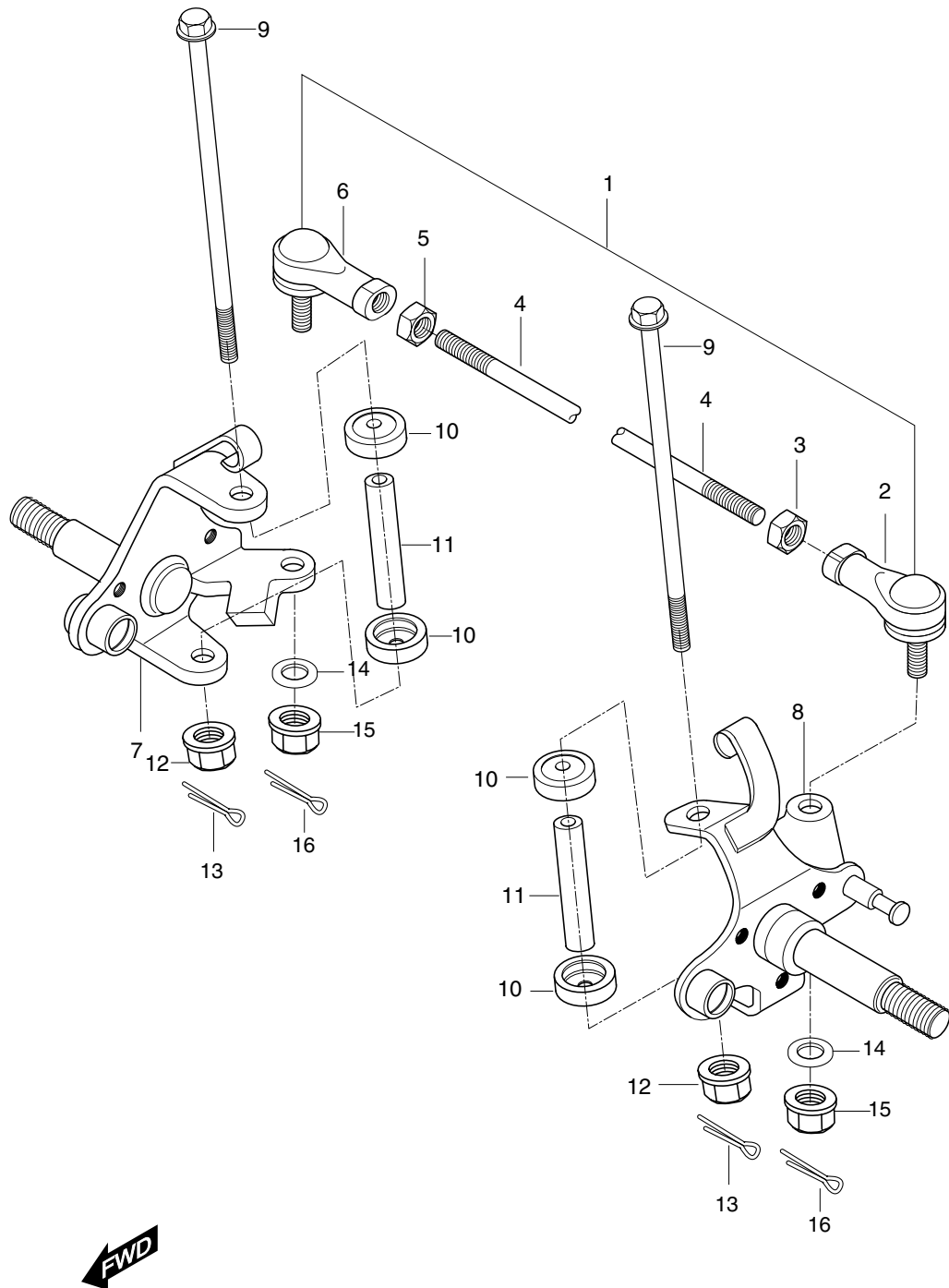


FIG 30. TIE ROD SET

REF. NO.	PARTS NUMBER.							PARTS NAME	USAGREMARKS (PCS)	REC.Q'TY (PCS)
	DOMESTIC	ST01	LNE01	LUS01	NUS02	STR	ST2			
1	51091HK3102	51091HK3102	51091HK3102	51091HK3102	51091HK3102	51091HK3102	51091HK3102	TIE ROD,set steering	2	
2	51270HK3100	51270HK3100	51270HK3100	51270HK3100	51270HK3100	51270HK3100	51270HK3100	END,comp rod L	2	
3	09140-10027	09140-10027	09140-10027	09140-10027	09140-10027	09140-10027	09140-10027	NUT,tie rod inner(M10)	2	
4	51281HK3101	51281HK3101	51281HK3101	51281HK3101	51281HK3101	51281HK3101	51281HK3101	TIE ROD,steering(M10*162)	2	
5	09140-10043	09140-10043	09140-10043	09140-10043	09140-10043	09140-10043	09140-10043	NUT,tie rod outer(M10)	2	
6	51260HK3100	51260HK3100	51260HK3100	51260HK3100	51260HK3100	51260HK3100	51260HK3100	END,comp rod R	2	
7	51230HK3110	51230HK3110	51230HK3110	51230HK3110	51230HK3110	51230HK3110	51230HK3110	KNUCKLE,comp steering R	1	
8	51240HK3110	51240HK3110	51240HK3110	51240HK3110	51240HK3110	51240HK3110	51240HK3110	KNUCKLE,comp steering L	1	
9	09103-10082KOR	09103-10082KOR	09103-10082KOR	09103-10082KOR	09103-10082KOR	09103-10082KOR	09103-10082KOR	BOLT,knuckle arm(M10*110)	2	
10	51255-18900KOR	51255-18900KOR	51255-18900KOR	51255-18900KOR	51255-18900KOR	51255-18900KOR	51255-18900KOR	SEAL,knuckle arm dust	4	
11	51251HK3100	51251HK3100	51251HK3100	51251HK3100	51251HK3100	51251HK3100	51251HK3100	SPACER,king pin	2	
12	08319-31106	08319-31106	08319-31106	08319-31106	08319-31106	08319-31106	08319-31106	NUT,knuckle arm(M10)	2	
13	04111-20206	04111-20206	04111-20206	04111-20206	04111-20206	04111-20206	04111-20206	COTTER PIN,knuckle arm bolt(L=20)	2	
14	08321-31106	08321-31106	08321-31106	08321-31106	08321-31106	08321-31106	08321-31106	WASHER,rod end (ø18.8*ø10.2*10)	2	
15	08319-31106	08319-31106	08319-31106	08319-31106	08319-31106	08319-31106	08319-31106	NUT,rod end(M10)	2	
16	04111-20206	04111-20206	04111-20206	04111-20206	04111-20206	04111-20206	04111-20206	COTTER PIN,rod end(L=20)	2	

FIG 31

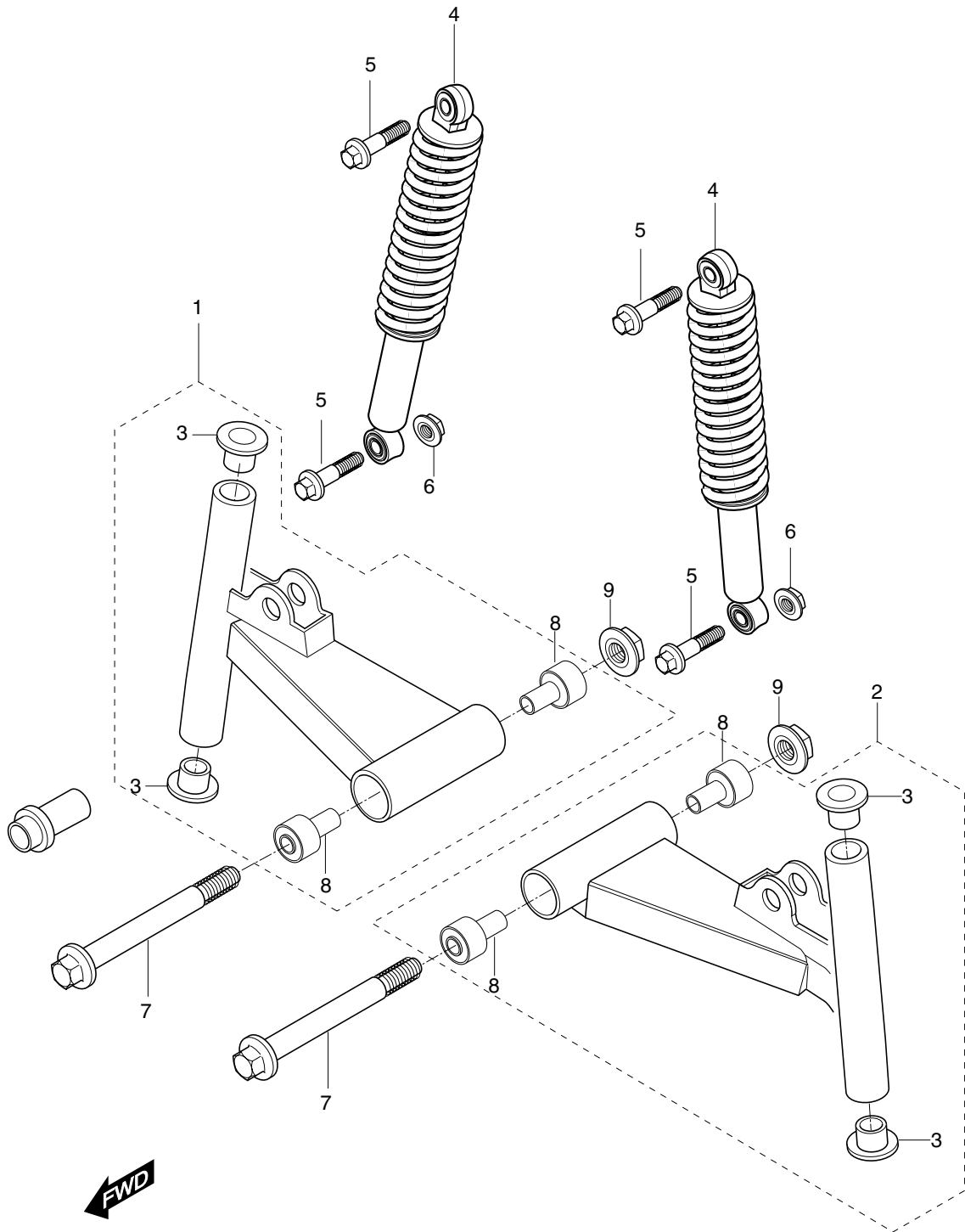


FIG 31. SUSPENSION ARM

REF. NO. DOMESTIC	PARTS NUMBER.							PARTS NAME	USAGREMARKS (PCS)	REC.Q'TY (PCS)
	ST01	LNE01	LUS01	NUS02	STR	ST2				
1	52410HK3103PAM	52410HK3103PAM	52410HK3103PAM	52410HK3103PAM	52410HK3103PAM	52410HK3103PAM	52410HK3103PAM	ARM,comp suspension R	1	4
2	52420HK3103PAM	52420HK3103PAM	52420HK3103PAM	52420HK3103PAM	52420HK3103PAM	52420HK3103PAM	52420HK3103PAM	ARM,comp suspension L	1	4
3	51236-40B00KOR	51236-40B00KOR	51236-40B00KOR	51236-40B00KOR	51236-40B00KOR	51236-40B00KOR	51236-40B00KOR	BUSH,king pin	4	
4	52100HK3100	52100HK3100	52100HK3100	52100HK3100	52100HK3100	52100HK3100	52100HK3100	ABSORBER,assy front shock	2	4
5	61181-02C00	61181-02C00	61181-02C00	61181-02C00	61181-02C00	61181-02C00	61181-02C00	BOLT,front shock absorber assy(M	4	
6	08316-26106	08316-26106	08316-26106	08316-26106	08316-26106	08316-26106	08316-26106	NUT,front shock absorber assy(M1	2	
7	09103H12026	09103H12026	09103H12026	09103H12026	09103H12026	09103H12026	09103H12026	BOLT,suspension arm(M12*124)	2	
8	09319H12005	09319H12005	09319H12005	09319H12005	09319H12005	09319H12005	09319H12005	BUSH,suspension arm	4	
9	08319-31126	08319-31126	08319-31126	08319-31126	08319-31126	08319-31126	08319-31126	NUT,suspension arm(M12)	2	

FIG 32

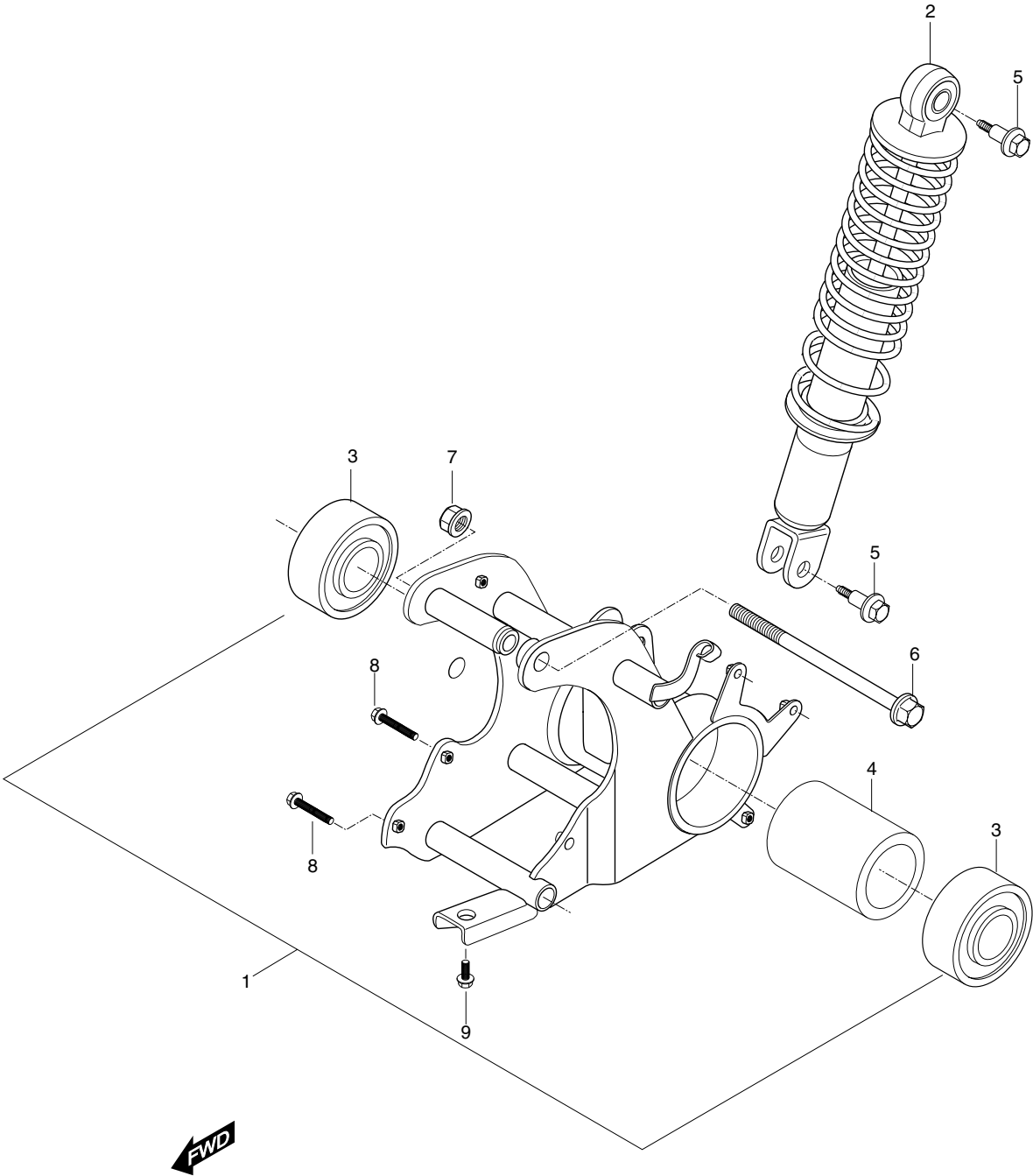


FIG 32. REAR HOUSING COMP

REF. NO. DOMESTIC	PARTS NUMBER.							PARTS NAME	USAGREMARKS (PCS)	REC.Q'TY (PCS)
	ST01	LNE01	LUS01	NUS02	STR	ST2				
1	64720HK3109PAM	64720HK3109PAM	64720HK3109PAM	64720HK3109PAM	64720HK3109PAM	64720HK3109PAM	64720HK3109PAM	HOUSING,comp RR axle brg	1	1
2	62100HK3104	62100HK3104	62100HK3104	62100HK3104	62100HK3104	62100HK3104	62100HK3104	ABSORBER,assy rear shock	2 ~ KM4AA12A541104010	4
2~1	62100HK3105	62100HK3105	62100HK3105	62100HK3105	62100HK3105	62100HK3105	62100HK3105	ABSORBER,assy rear shock	2 KM4AA12A541104011 ~	4
3	09262H32001	09262H32001	09262H32001	09262H32001	09262H32001	09262H32001	09262H32001	BEARING,rear axle(32*65*17)	2	
4	64731HK3102	64731HK3102	64731HK3102	64731HK3102	64731HK3102	64731HK3102	64731HK3102	SPACER,rear axle bearing(L=65)	1	
5	61181-02C00	61181-02C00	61181-02C00	61181-02C00	61181-02C00	61181-02C00	61181-02C00	BOLT,rear shock absorber(M10*40	2	
6	09103H10022	09103H10022	09103H10022	09103H10022	09103H10022	09103H10022	09103H10022	BOLT,rear axle housing & case(L=	1	
7	08319-31108	08319-31108	08319-31108	08319-31108	08319-31108	08319-31108	08319-31108	NUT,rear axle housing & case(M10	1	
8	07110-08256	07110-08256	07110-08256	07110-08256	07110-08256	07110-08256	07110-08256	BOLT,rear axle housing clamp brac	2	
9	01517-08126	01517-08126	01517-08126	01517-08126	01517-08126	01517-08126	01517-08126	BOLT,RR axle hsg bracket & case(l	1	

FIG 33

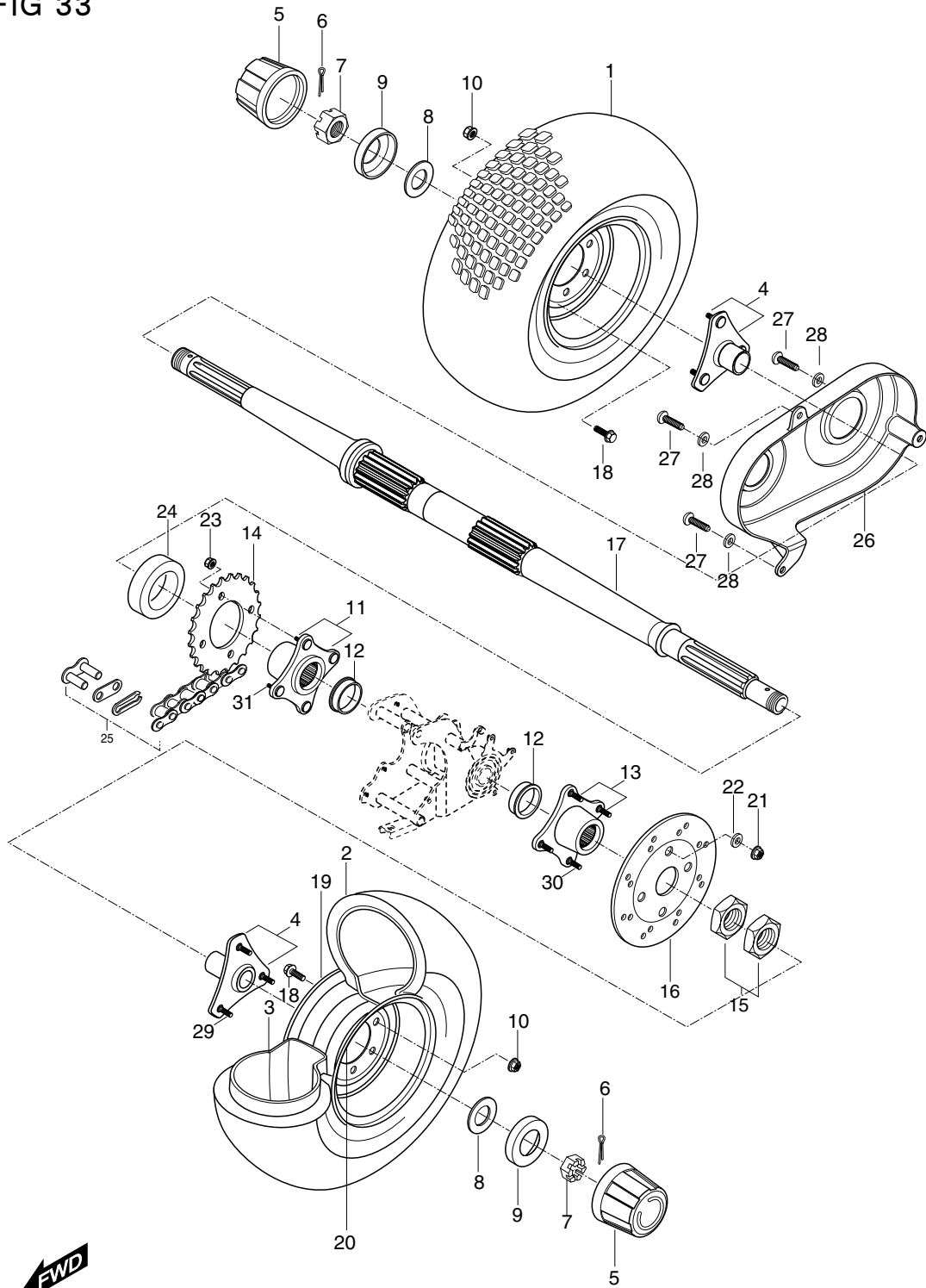


FIG 33. REAR WHEEL

REF.	PARTS NUMBER.							PARTS NAME	USAGFREMARKS (PCS)	REC.Q'TY (PCS)
	NO. DOMESTIC	ST01	LNE01	LUS01	NUS02	STR	ST2			
1	55102-04605	55102-04605	55102-04605	55102-04605	55102-04605	55102-04605	55102-04605	TIRE,set rear(145/70-6)	NOT SALE	
2	55100-04605	55100-04605	55100-04605	55100-04605	55100-04605	55100-04605	55100-04605	TIRE,comp rear(145/70-6)	2	7
3	55200-04605	55200-04605	55200-04605	55200-04605	55200-04605	55200-04605	55200-04605	TUBE ASS'Y	2	
4	64110HK3101HPA	64110HK3101HPA	64110HK3101HPA	64110HK3101HPA	64110HK3101HPA	64110HK3101HPA	64110HK3101HPA	HUB,comp rear	2	2
5	54725HK3101	54725HK3101	54725HK3101	54725HK3101	54725HK3101	54725HK3101	54725HK3101	CAP,wheel center	2	
6	04111-40308	04111-40308	04111-40308	04111-40308	04111-40308	04111-40308	04111-40308	COTTER PIN,rear hub	2	
7	09141H16000	09141H16000	09141H16000	09141H16000	09141H16000	09141H16000	09141H16000	NUT,rear hub(M16)	2	
8	64723-02400	64723-02400	64723-02400	64723-02400	64723-02400	64723-02400	64723-02400	WASHER,rear axle(ø16.5*ø30*T1.	2	
9	64726-04200	64726-04200	64726-04200	64726-04200	64726-04200	64726-04200	64726-04200	HOLDER,center cap	2	
10	08316-16086	08316-16086	08316-16086	08316-16086	08316-16086	08316-16086	08316-16086	NUT,wheet set(M8)	12	
11	64610HK3101HPA	64610HK3101HPA	64610HK3101HPA	64610HK3101HPA	64610HK3101HPA	64610HK3101HPA	64610HK3101HPA	FLANGE,comp sprocket mounting	1	
12	09285H42001	09285H42001	09285H42001	09285H42001	09285H42001	09285H42001	09285H42001	DUST SEAL,rear axle bearing(42*ø	2	
13	69220HK3101HPA	69220HK3101HPA	69220HK3101HPA	69220HK3101HPA	69220HK3101HPA	69220HK3101HPA	69220HK3101HPA	FLANGE,comp rear disk	1	
14	64511HK3101	64511HK3101	64511HK3101	64511HK3101	64511HK3101	64511HK3101	64511HK3101	SPROCKET,rear(28T)	1	1
15	09140-28003	09140-28003	09140-28003	09140-28003	09140-28003	09140-28003	09140-28003	NUT,rear axle(M28)	2	
16	69211HK3100	69211HK3100	69211HK3100	69211HK3100	69211HK3100	69211HK3100	69211HK3100	DISK,rear	1	2
17	64711HK3102	64711HK3102	64711HK3102	64711HK3102	64711HK3102	64711HK3102	64711HK3102	AXLE,rear	1	
18	01517-08126	01517-08126	01517-08126	01517-08126	01517-08126	01517-08126	01517-08126	BOLT,wheet set(M8*12)	6	
19	65312HK3100999	65312HK3100999	65312HK3100999	65312HK3100999	65312HK3100999	65312HK3100999	65312HK3100999	RIM,wheel rear inner	2	7
20	65313HK3100999	65313HK3100999	65313HK3100999	65313HK3100999	65313HK3100999	65313HK3100999	65313HK3100999	RIM,wheel rear outer	2	7
21	08319-31088	08319-31088	08319-31088	08319-31088	08319-31088	08319-31088	08319-31088	NUT,rear disk(M8)	4	
22	09160-08030	09160-08030	09160-08030	09160-08030	09160-08030	09160-08030	09160-08030	WASHER,rear disk(ø8.5*ø22*T3.2	4	
23	08319-31088	08319-31088	08319-31088	08319-31088	08319-31088	08319-31088	08319-31088	NUT,rear sprocket(M8)	4	
24	09180H35001	09180H35001	09180H35001	09180H35001	09180H35001	09180H35001	09180H35001	SPACER,rear axle R(34*41*T6)	1	
25	27600HK3102	27600HK3102	27600HK3102	27600HK3102	27600HK3102	27600HK3102	27600HK3102	CHAIN,comp drive	1	2
26	61310HK3103	61310HK3103	61310HK3103	61310HK3103	61310HK3103	61310HK3103	61310HK3103	CASE,chain	1	2
27	02142-06165	02142-06165	02142-06165	02142-06165	02142-06165	02142-06165	02142-06165	SCREW,chain case(M6*16)	3	
28	09169-06032	09169-06032	09169-06032	09169-06032	09169-06032	09169-06032	09169-06032	WASHER,chain case	3	
29	09119-08050KOR	09119-08050KOR	09119-08050KOR	09119-08050KOR	09119-08050KOR	09119-08050KOR	09119-08050KOR	BOLT,hub(M8*17)	6	
30	09119-08073KOR	09119-08073KOR	09119-08073KOR	09119-08073KOR	09119-08073KOR	09119-08073KOR	09119-08073KOR	BOLT,rear disk flange	4	
31	09119-08073KOR	09119-08073KOR	09119-08073KOR	09119-08073KOR	09119-08073KOR	09119-08073KOR	09119-08073KOR	BOLT,rear sprocket flange	4	

FIG 34

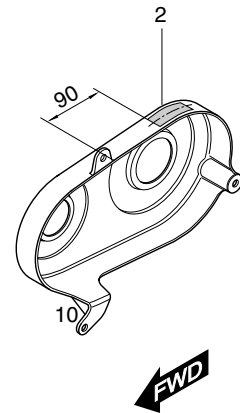
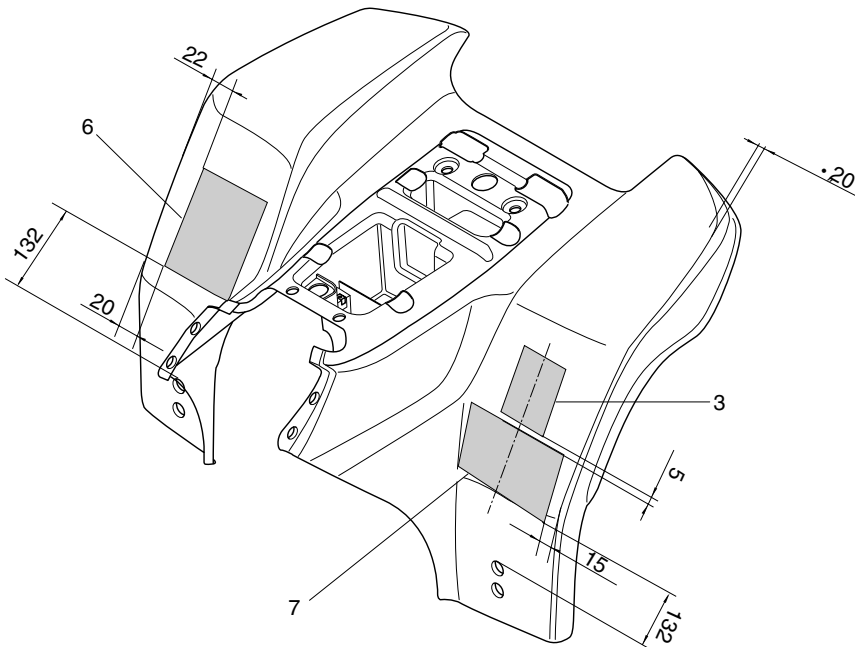
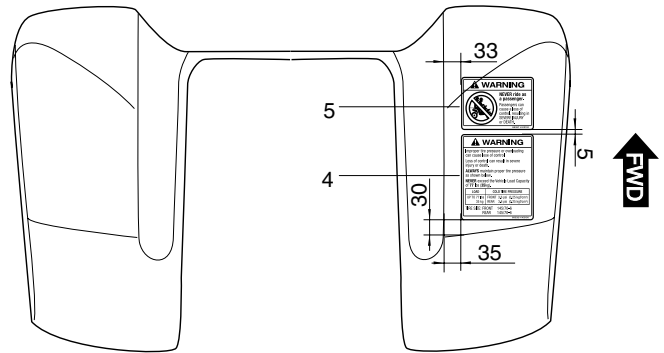
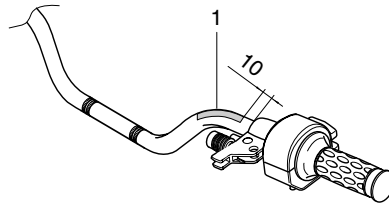
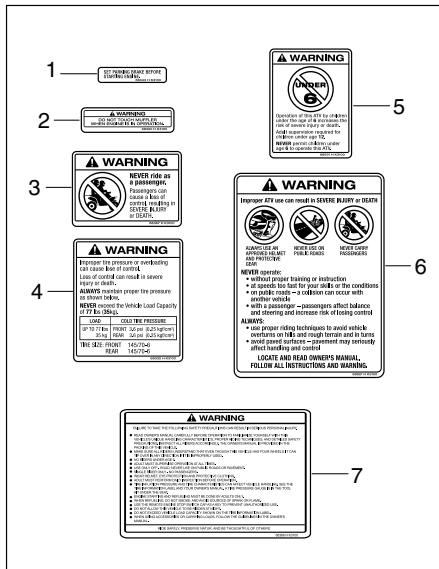


FIG 34. LABEL

REF.	PARTS NUMBER.						PARTS NAME	USAGREMARKS (PCS)	REC.Q'TY (PCS)
	NO. DOMESTIC	ST01	LNE01	LUS01	NUS02	STR			
1	68343HK3100	68343HK3100	68343HK3100	68343HK3100	68343HK3100	68343HK3100	68343HK3100	WARNING,parking brake	1
2	68320HK3100	68320HK3100	68320HK3100	68320HK3100	68320HK3100	68320HK3100	68320HK3100	LABEL,chain case	1
3	68931HK3100	68931HK3100	68931HK3100	68931HK3100	68931HK3100	68931HK3100	68931HK3100	LABEL, AGE(6/12)	1
4	68931HK3100	68332HK3100	68332HK3100	68332HK3100	68332HK3100	68332HK3100	68332HK3100	LABEL,tire air pressure	1
5	68367HK3100	68367HK3100	68367HK3100	68367HK3100	68367HK3100	68367HK3100	68367HK3100	LABEL,no passenger	1
6	68921HK3100	68921HK3100	68921HK3100	68921HK3100	68921HK3100	68921HK3100	68921HK3100	LABEL,general warning	1
7	68366HK3100	68366HK3100	68366HK3100	68366HK3100	68366HK3100	68366HK3100	68366HK3100	LABEL,warning	1

FIG.35

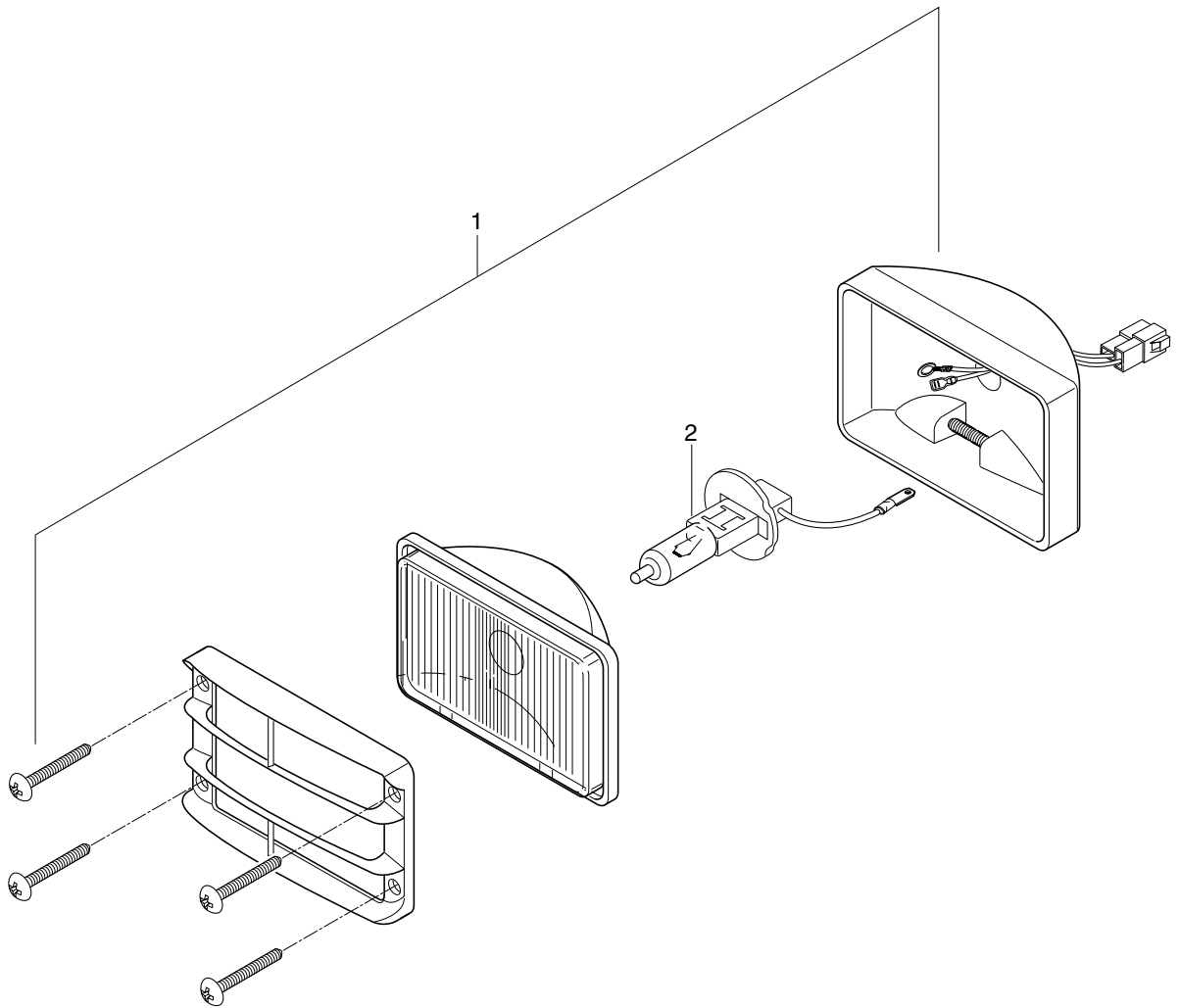


FIG 35. HEAD LAMP

REF. NO. DOMESTIC	PARTS NUMBER.						PARTS NAME	USAGEREMARKS (PCS)	REC.Q'TY (PCS)
	ST01	LNE01	LUS01	NUS02	STR	ST2			
1	35100HL2302	35100HL2302	35100HL2302				HEAD LAMP ASS'Y	1	
2	09471H12104	09471H12104	09471H12104				BULB, head lamp(12V,35W)	1	

FIG.36

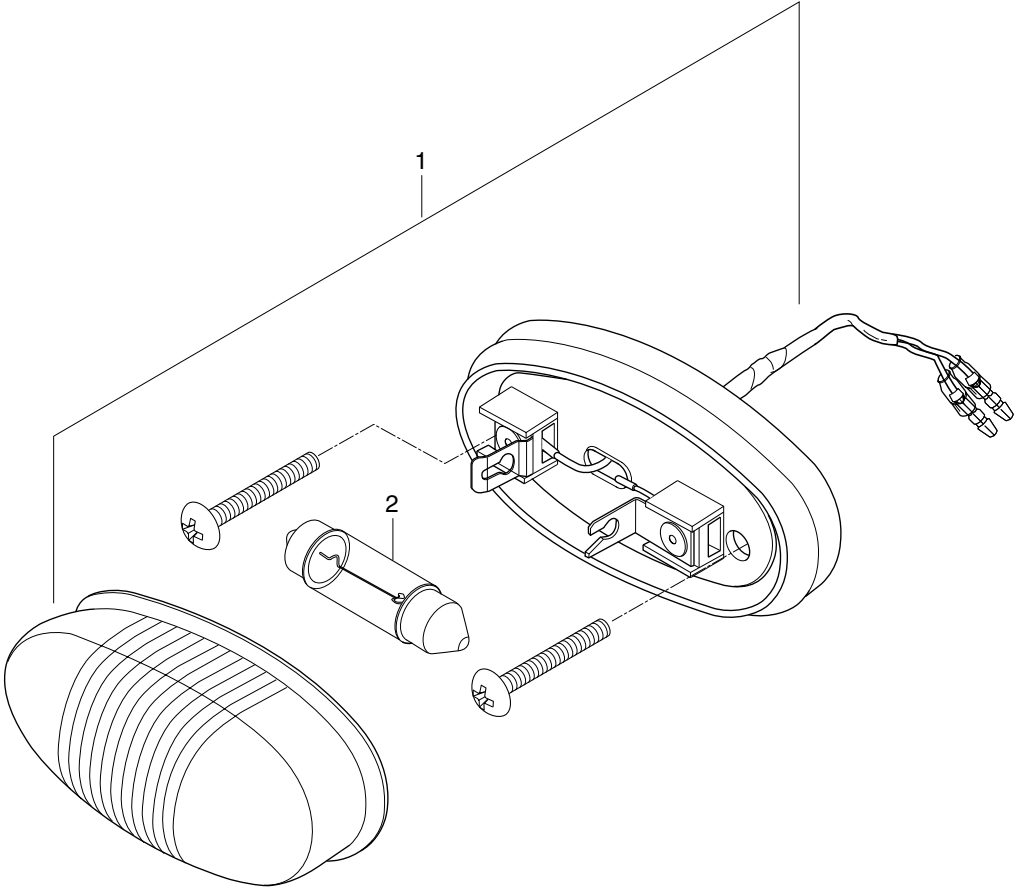


FIG 36. REAR COMBINATION

REF.	PARTS NUMBER.						PARTS NAME	USAGEREMARKS (PCS)	REC.Q'TY (PCS)
	NO. DOMESTIC	ST01	LNE01	LUS01	NUS02	STR			
1	35710HL2300	35710HL2300	35710HL2300				LAMP ASS'Y, tail	1	
2	09471H12213	09471H12213	09471H12213				BULB, tail lamp (12V,5W)	1	