

HYOSUNG



RT 125 D

Euro 3 (Karion)

Reservevedele



ScanMI^{APS}

SCANDINAVIAN MACHINERY IMPORT

Skovbyvej 99, Skovby

6470 Sydals

Telefon: +45 73 15 11 00

Fax: +45 73 15 11 01

E-mail: info@scanmi.dk

www.scanmi.dk

CVR: 27 73 31 07

 **HYOSUNG**

2009



RT125D

REFERENCE

1.The detailed specifications of each model are referred by the persons who are in charge of overseas marketing team, Hyosung.

2.Special demand

When you order any colored parts including Fuel tank, please add color code to the end of parts number and it will be helpful to register your parts order.

※ **Color code**



OVB : BLUE



OBK : BLACK(2009)



OLO : ORANGE



OWP : WHITE(2009)

HYOSUNG MOTORS & MACHINERY INC.

FIG 1

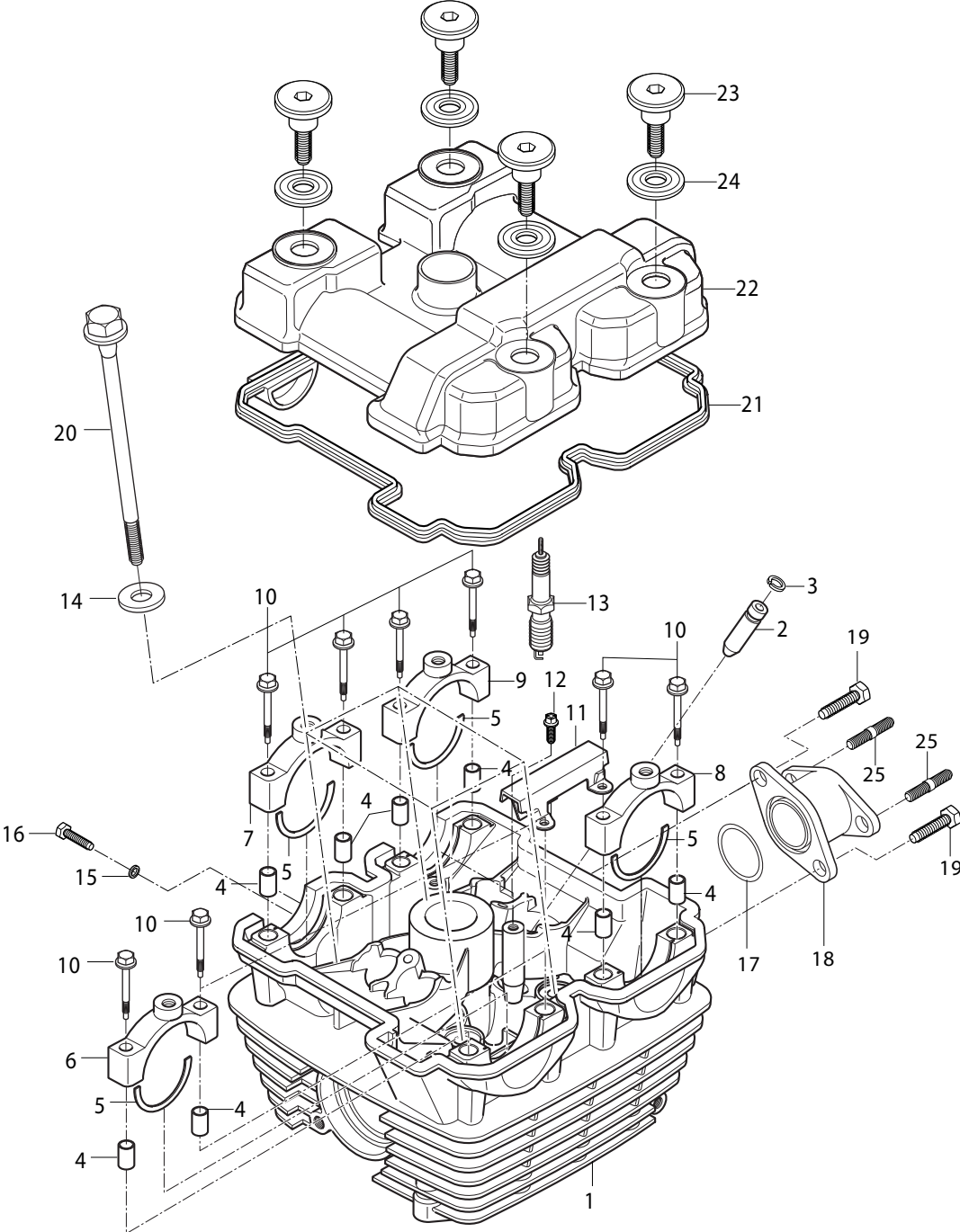


FIG 1. CYLINDER HEAD

REF. NO.	PARTS NO.			PARTS NAME	Q'TY	REMARKS	REC.Q'TY (PCS)
	SEN01/SSA01	SEU01/SF01/SG01/SS01	7EG01/8EG01				
1	11100HR7900PCH	11100HR7900PCH	11100HR7900PCH	HEAD COMP. CYLINDER	1		10
2	11115HJ8200	11115HJ8200	11115HJ8200	GUIDE, VALVE	4		
3	09381-10004	09381-10004	09381-10004	SNAP RING, VALVE GUIDE	4		
4	09206-08001	09206-08001	09206-08001	KNOCK PIN, C/SHAFT HOUSING	8		
5	09390-35001	09390-35001	09390-35001	C-RING, CAMSHAFT	4		
6	11121M35C00	11121M35C00	11121M35C00	HOUSING, C/SHAFT No.1	1		
7	11122M35C00	11122M35C00	11122M35C00	HOUSING, C/SHAFT No.2	1		
8	11123M35C00	11123M35C00	11123M35C00	HOUSING, C/SHAFT No.3	1		
9	11124M35C00	11124M35C00	11124M35C00	HOUSING, C/SHAFT No.4	1		
10	09103-06013	09103-06013	09103-06013	BOLT, C/SHAFT HOUSING	8		
11	12782-35C00	12782-35C00	12782-35C00	GUIDE, CAM CHAIN No.2	1		
12	01517-06125	01517-06125	01517-06125	BOLT, OIL GALLERY	2		30
13	09482-00456HAS	09482-00456HAS	09482-00456HAS	SPARK PLUG (CR8E)	1		10
14	41980-35C00	41980-35C00	41980-35C00	GASKET, CYLINDER HEAD BOLT	4		30
15	09168H06009	09168H06009	09168H06009	GASKET, OIL GALLERY PLUG	2		30
16	09103-10219	09103-10219	09103-10219	PLUG, OIL GALLERY	2		
17	09280-36004	09280-36004	09280-36004	O-RING, INTAKE PIPE	1		
18	13110HR7800	13110HR7800	13110HR7800	PIPE COMP, INTAKE	1		10
19	02122-06208	02122-06208	02122-06208	SCREW, INTAKE PIPE	2		
20	09402-48209	09402-48209	09402-48209	BOLT, C/HEAD (L=140)	4		
21	11173-35C00	11173-35C00	11173-35C00	GASKET, C/HEAD COVER No.1	1		30
22	11171-35C00999	11171-35C00999	11171-35C00999	COVER, CYLINDER HEAD	1		10
23	09106-07009	09106-07009	09106-07009	BOLT, C/HEAD COVER (L=5.5)	4		
24	09161-11008	09161-11008	09161-11008	WASHER, C/HEAD COVER	4		
25	01421-06168	01421-06168	01421-06168	STUD BOLT, INTAKE PIPE	2		20

FIG 2

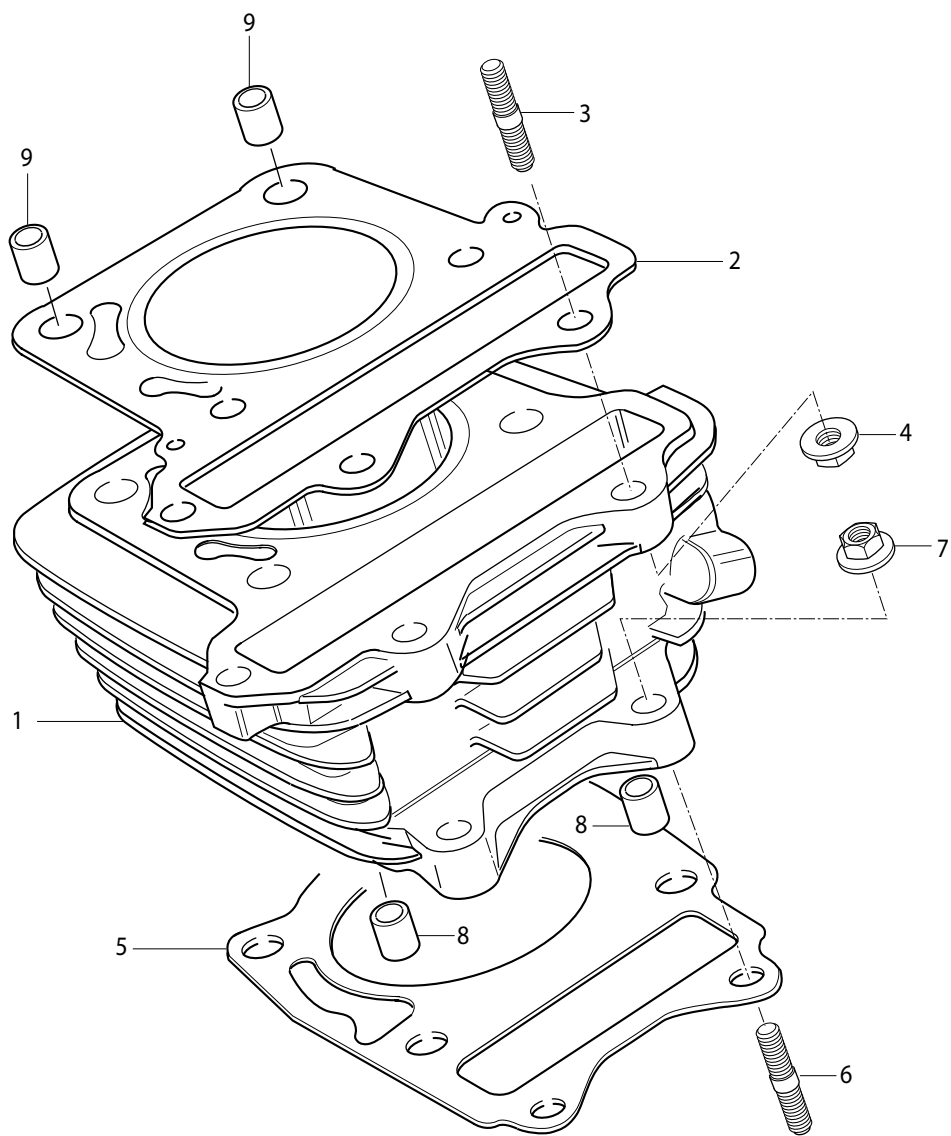


FIG 2. CYLINDER

REF. NO.	PARTS NO.			PARTS NAME	Q`TY	REMARKS	REC.Q`TY (PCS)
	SEN01/SSA01	SEU01/SF01/SG01/SS01	7EG01/8EG01				
1	11210HR7801PCY	11210HR7801PCY	11210HR7801PCY	CYLINDER COMP	1		5
2	11141HR7800	11141HR7800	11141HR7800	GASKET, CYLINDER HEAD	1		30
3	01421-06255	01421-06255	01421-06255	STUD BOLT , CYLINDER HEAD	3		10
4	08316-16065	08316-16065	08316-16065	NUT, CYLINDER HEAD	3		
5	11241H35C01	11241H35C01	11241H35C01	GASKET, CYLINER	1		30
6	01421-06255	01421-06255	01421-06255	STUD BOLT , CYLINDER	2		10
7	08316-16065	08316-16065	08316-16065	NUT, CYLINDER	2		
8	04211-11129	04211-11129	04211-11129	KNOCK PIN, CYLINDER	2		
9	04211-11169	04211-11169	04211-11169	KNOCK PIN, CYLINDER HEAD	2		

FIG 3

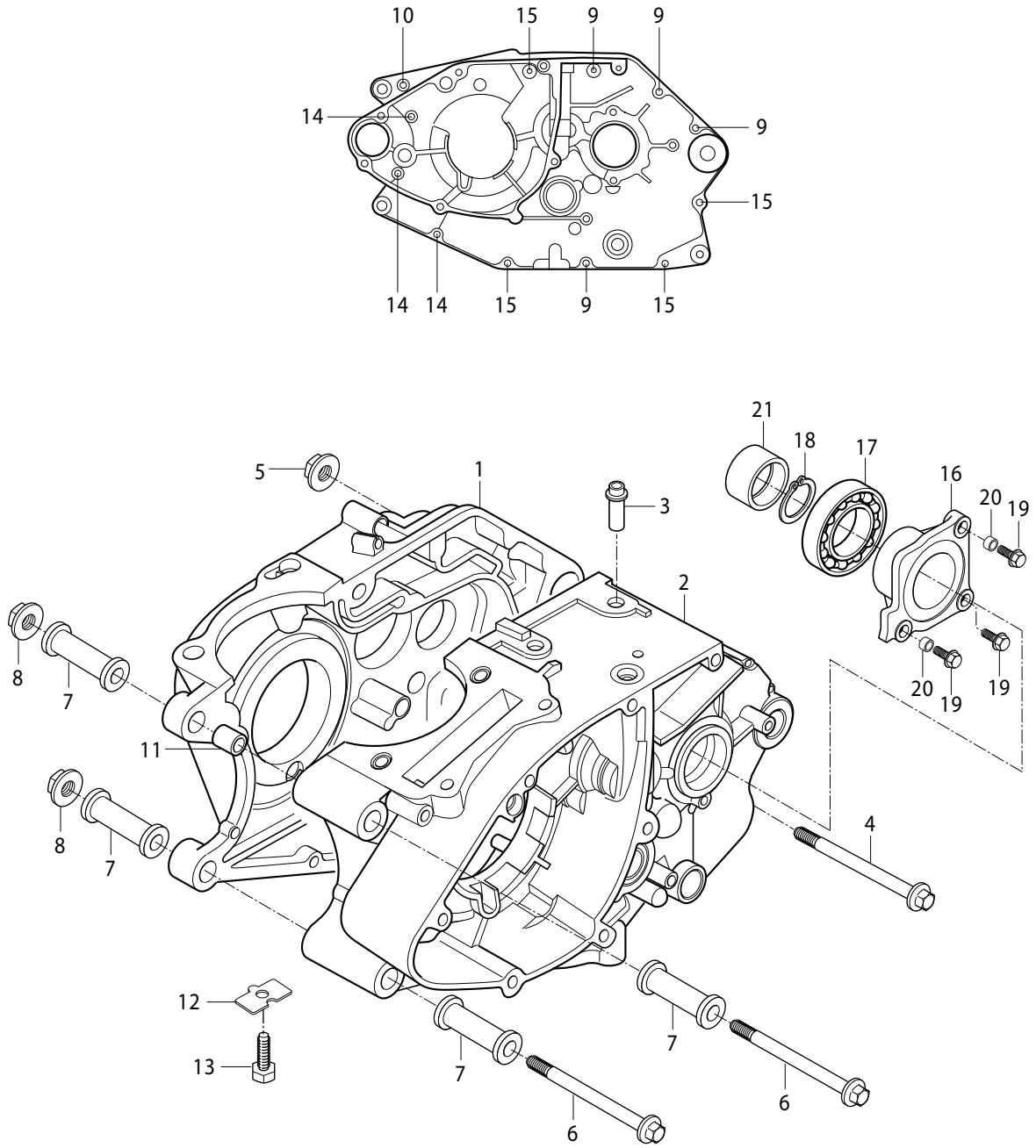


FIG 3. CRANK CASE

REF. NO.	PARTS NO.			PARTS NAME	Q'TY	REMARKS	REC.Q'TY (PCS)
	SEN01/SSA01	SEU01/SF01/SG01/SS01	7EG01/8EG01				
1	11310H35C20PCC	11310H35C20PCC	11310H35C20PCC	CRANK CASE, R	1		5
2	11320HR7800PCC	11320HR7800PCC	11320HR7800PCC	CRANK CASE, L	1		5
3	09364-12001	09364-12001	09364-12001	UNION, BREATHER HOSE	1		10
4	09103-08072	09103-08072	09103-08072	BOLT, ENG MOUNTING REAR	1		10
5	08319-31088	08319-31088	08319-31088	NUT, ENG MOUNTING	1		10
6	09103-08081	09103-08081	09103-08081	BOLT, ENG MOUNTING FRONT	2		10
7	11610-29B00	11610-29B00	11610-29B00	SPACER, ENG MOUNTING No.1	4		10
8	08319-31088	08319-31088	08319-31088	NUT, ENG MOUNTING	2		10
9	41911-35C00	41911-35C00	41911-35C00	BOLT, CRANK CASE	4		10
10	01137-08168	01137-08168	01137-08168	BOLT, CRANK CASE	1		10
11	04213-13189	04213-13189	04213-13189	PIN, CRANK CASE	2		10
12	11319-05200	11319-05200	11319-05200	PLATE, OIL GALLELY PLUG	1		10
13	01904-06108	01904-06108	01904-06108	BOLT, OIL GALLEY PLUG PLATE	1		10
14	01547-06558	01547-06558	01547-06558	BOLT, CRANK CASE	3		10
15	01547-06608	01547-06608	01547-06608	BOLT, CRANK CASE	4		10
16	27541HM5402	27541HM5402	27541HM5402	BRACKET, E/G SPROCKET SPACER	1		10
17	09262H28005	09262H28005	09262H28005	BEARING, E/G SPROCKET SPACER BRACKET	1		10
18	08331-41529	08331-41529	08331-41529	CIRCLIP	1		10
19	01547-06258	01547-06258	01547-06258	BOLT	3		10
20	04213-09129	04213-09129	04213-09129	KNOCK PIN, BRACKET	2		10
21	27532HM5402	27532HM5402	27532HM5402	SPACER, ENGINE SPROCKET No.2	1		10

FIG 4

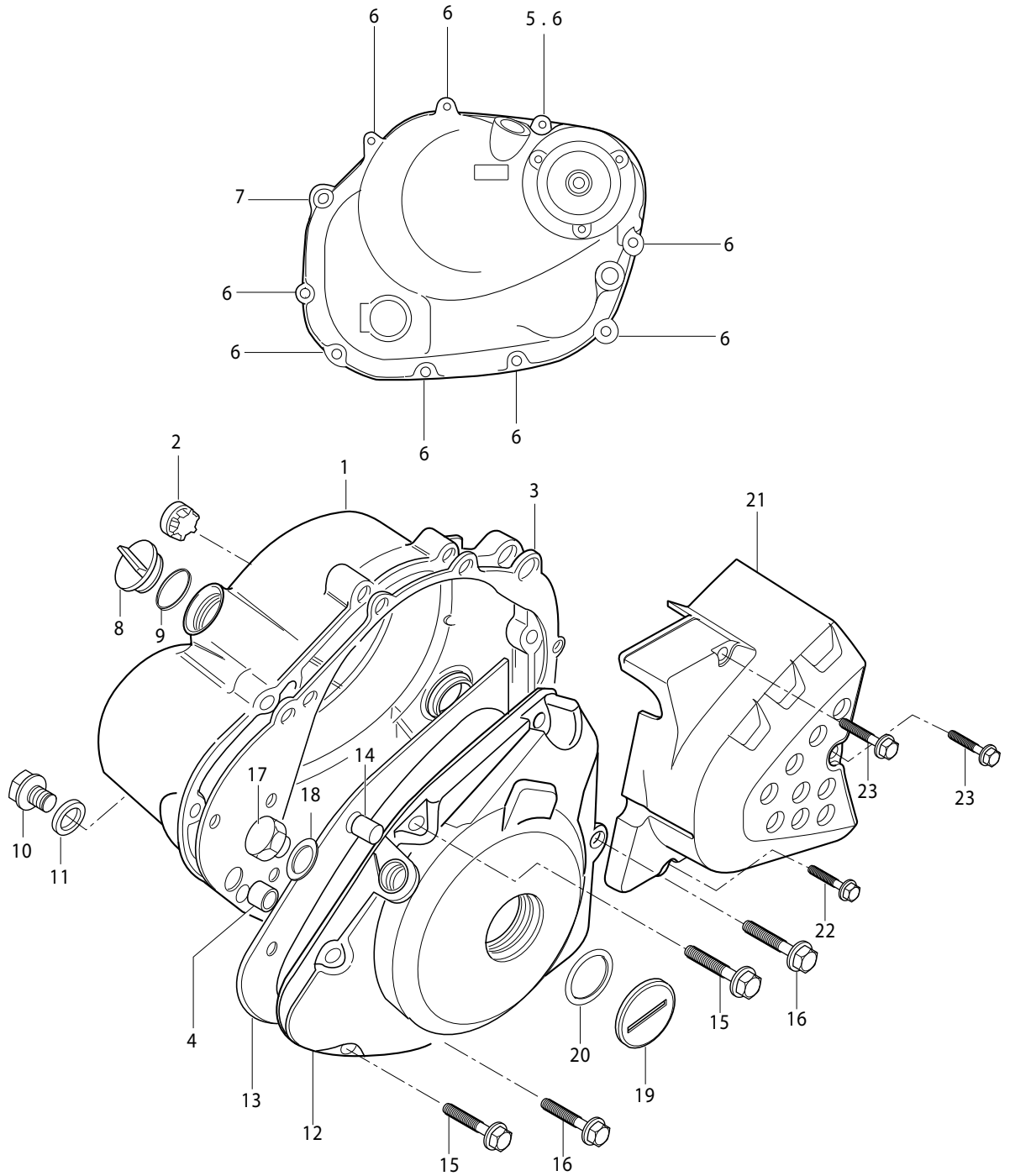


FIG 4. CRANKCASE COVER

REF. NO.	PARTS NO.			PARTS NAME	Q'TY	REMARKS	REC.Q'TY (PCS)
	SEN01/SSA01	SEU01/SF01/SG01/SS01	7EG01/8EG01				
1	11340-35C00121	11340-35C00121	11340-35C00121	COVER COMP, CLUTCH	1		5
2	11971-45010	11971-45010	11971-45010	LENS, OIL LEVER CHECK	1		
3	11482H35C01	11482H35C01	11482H35C01	GASKET, CLUTCH COVER	1		10
4	04211-13189	04211-13189	04211-13189	PIN, CLUTCH COVER	2		
5	09168H06009	09168H06009	09168H06009	GASKET, C/COVER BOLT	1		10
6	01547-06308	01547-06308	01547-06308	BOLT, CLUTCH COVER	9		10
7	01547-06458	01547-06458	01547-06458	BOLT, CLUTCH COVER	1		10
8	09259-20012	09259-20012	09259-20012	PLUG, ENGINE OIL FILLER	1		
9	09280-17003	09280-17003	09280-17003	O-RING, OIL FILLER PLUG	1		
10	09247-14026	09247-14026	09247-14026	PLUG, OIL CHECK	1		10
11	09168-14002	09168-14002	09168-14002	GASKET, OIL CHECK PLUG	1		10
12	11351-35C00999	11351-35C00999	11351-35C00999	COVER, MAGNETO	1		5
13	11483-05301	11483-05301	11483-05301	GASKET, MAGNETO COVER	1		10
14	04211-09129	04211-09129	04211-09129	PIN, MAGNETO COVER	1		
15	01547-06258	01547-06258	01547-06258	BOLT, MAGNETO COVER	1		20
16	01547-06358	01547-06358	01547-06358	BOLT, MAGNETO COVER	1		20
17	9247-12103	9247-12103	9247-12103	PLUG, TDC	1		
18	09168-12002	09168-12002	09168-12002	GASKET, TDC PLIG	1		
19	09259-26006	09259-26006	09259-26006	PLUG, C/SHAFT HOLE	1		
20	09280-22008	09280-22008	09280-22008	O-RING, C/SHAFT HOLE PLUG	1		
21	11361HR7800121	11361HR7800121	11361HR7800121	COVER, ENGINE SPROCKET	1		
22	01547-06258	01547-06258	01547-06258	BOLT, ENG SPROCKET COVER	1		10
23	01547-06458	01547-06458	01547-06458	BOLT, ENG SPROCKET COVER	1		10

FIG 5

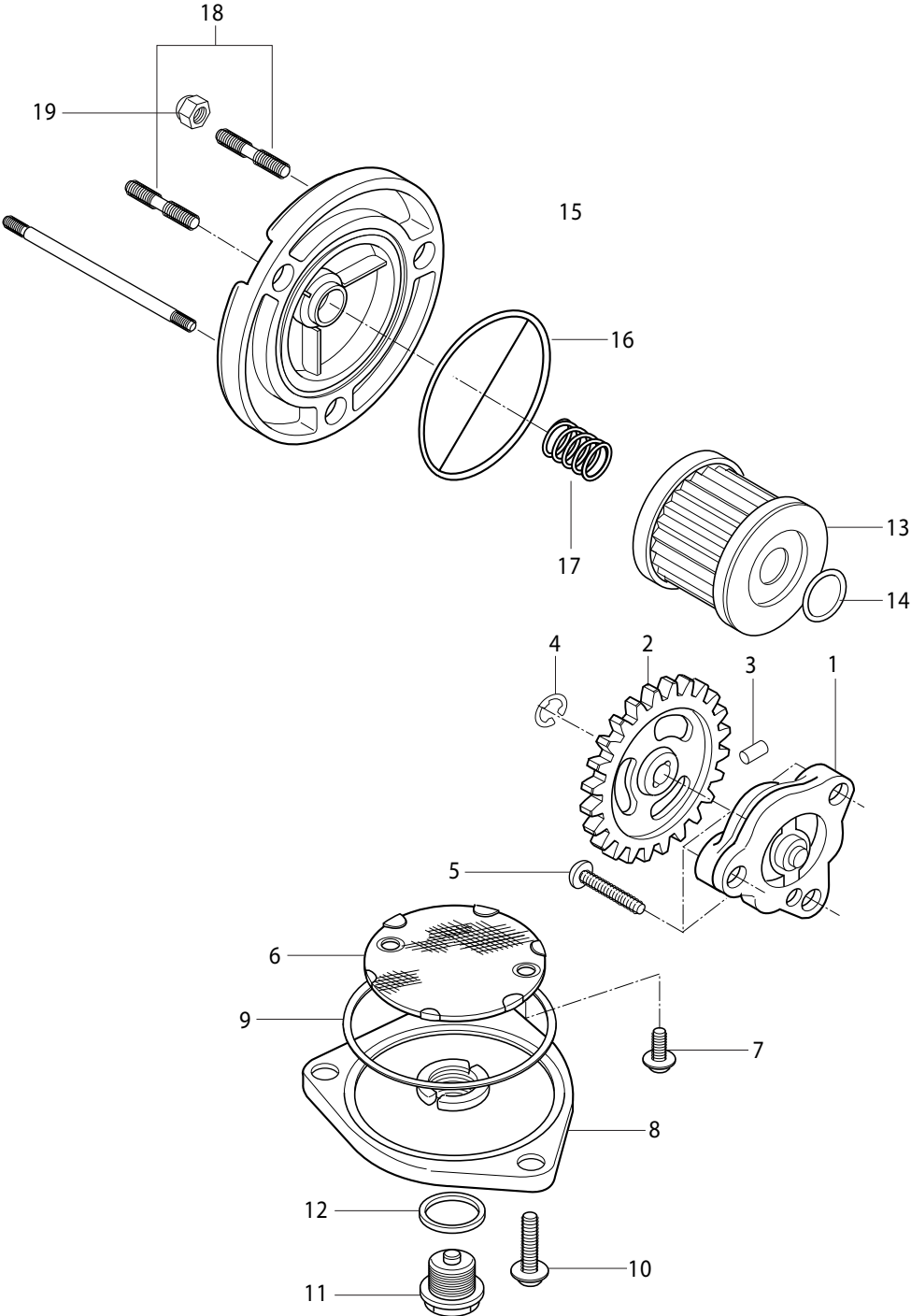


FIG 5. OIL PUMP

REF. NO.	SEN01/SSA01	PARTS NO. SEU01/SF01/SG01/SS01	7EG01/8EG01	PARTS NAME	Q`TY	REMARKS	REC.Q`TY (PCS)
1	16400HF4600	16400HF4600	16400HF4600	PUMP ASS'Y, OIL	1		10
2	16331-35C00	16331-35C00	16331-35C00	GEAR, OIL PUMP DRIVEN	1		
3	09261-02008	09261-02008	09261-02008	PIN, OIL PUMP DRIVEN GEAR	1		
4	08332-11069	08332-11069	08332-11069	CIRCLIP, OIL PUMP D/N GEAR	1		
5	02112-06258	02112-06258	02112-06258	SCREW, OIL PUMP	3		
6	16520-05202	16520-05202	16520-05202	STRAINER COMP, ENG OIL	1		
7	02112-95126	02112-95126	02112-95126	SCREW, ENG OIL STRAINER	2		
8	16523-05200	16523-05200	16523-05200	CAP, OIL STRAINER	1		
9	09280-60005	09280-60005	09280-60005	O-RING, OIL STRAINER CAP	1		
10	01547-06208	01547-06208	01547-06208	BOLT, OIL STRAINER CAP	3		
11	09247-14002	09247-14002	09247-14002	PLUG, OIL DRAIN	1		10
12	09168-14002	09168-14002	09168-14002	GASKET, DRAIN PLUG(NA)	1		20
13	16510-05240HAS	16510-05240HAS	16510-05240HAS	FILTER COMP, ENGINE OIL	1		30
14	09280-13004	09280-13004	09280-13004	O-RING, OIL FILTER	1		
15	16512-0521303S	16512-0521303S	16512-0521303S	CAP, OIL FILTER	1		
16	09280-54001	09280-54001	09280-54001	O-RING, OIL FILTER CAP	1		
17	09440-18002	09440-18002	09440-18002	SPRING, OIL FILTER CAP	1		
18	01421-06128	01421-06128	01421-06128	STUD BOLT, OIL FILTER CAP	2		
19	08313-11068	08313-11068	08313-11068	NUT, OIL FILTER CAP	3		
20	01421-06858	01421-06858	01421-06858	STUD BOLT, OIL FILTER CAP	1		

FIG 6

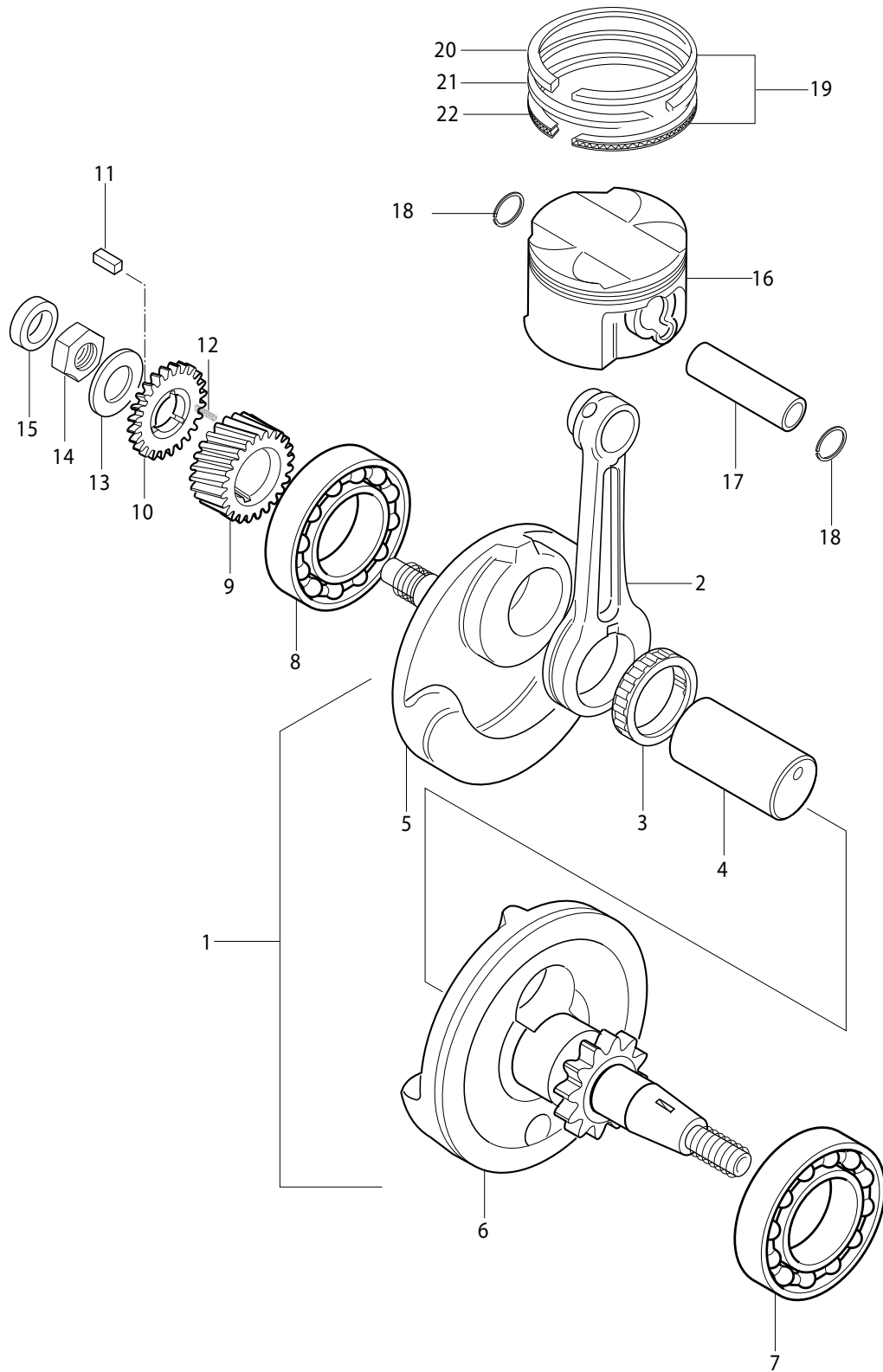


FIG 6. CRANK SHAFT

REF. NO.	PARTS NO.			PARTS NAME	Q'TY	REMARKS	REC.Q'TY (PCS)
	SEN01/SSA01	SEU01/SF01/SG01/SS01	7EG01/8EG01				
1	12200H35C00HPA	12200H35C00HPA	12200H35C00HPA	CRANK SHAFT ASS'Y	1		5
2	12161HJ8200	12161HJ8200	12161HJ8200	ROD, CONNECTING	1		
3	09263H30003	09263H30003	09263H30003	BEARING, CRANK PIN	1		
4	12211HF4600	12211HF4600	12211HF4600	PIN, CRANK	1		20
5	12261H35C02CSA	12261H35C02CSA	12261H35C02CSA	CRANK SHAFT L	1		
6	12221HF4600CSA	12221HF4600CSA	12221HF4600CSA	CRANK SHAFT R	1		
7	09262-28003	09262-28003	09262-28003	BEARING, CRANK SHAFT R	1		5
8	09262-35026	09262-35026	09262-35026	BEARING, CRANK SHAFT L	1		5
9	21111-35C00	21111-35C00	21111-35C00	GEAR, PRIMARY DRIVE	1		
10	21112-35C00	21112-35C00	21112-35C00	GEAR, PRIMARY DRIVE No.2	1		
11	09421-04004	09421-04004	09421-04004	KEY, PRIMARY DRIVE GEAR	1		
12	21114-35C00	21114-35C00	21114-35C00	SPRING, P/DRIVE GEAR	3		
13	09166-16012	09166-16012	09166-16012	WASHER, P/DRIVE GEAR	1		
14	09140-16019	09140-16019	09140-16019	NUT, P/DRIVE GEAR	1		
15	09282-12001	09282-12001	09282-12001	OIL SEAL, CRANK SHAFT R	1		
16	12111-16E00PPS	12111-16E00PPS	12111-16E00PPS	PISTON	1		
17	12151-30B00	12151-30B00	12151-30B00	PIN, PISTON	1		
18	09381-15001	09381-15001	09381-15001	CIRCLIP	2		
19	12140-16E00	12140-16E00	12140-16E00	RING SET, PISTON	1		30
20	12141-16E00	12141-16E00	12141-16E00	RING , PISTON 1ST	1		
21	12142-16E00	12142-16E00	12142-16E00	RING, PISTON 2ND	1		
22	12144-16E00	12144-16E00	12144-16E00	RING, PISTON OIL	1		

FIG 7

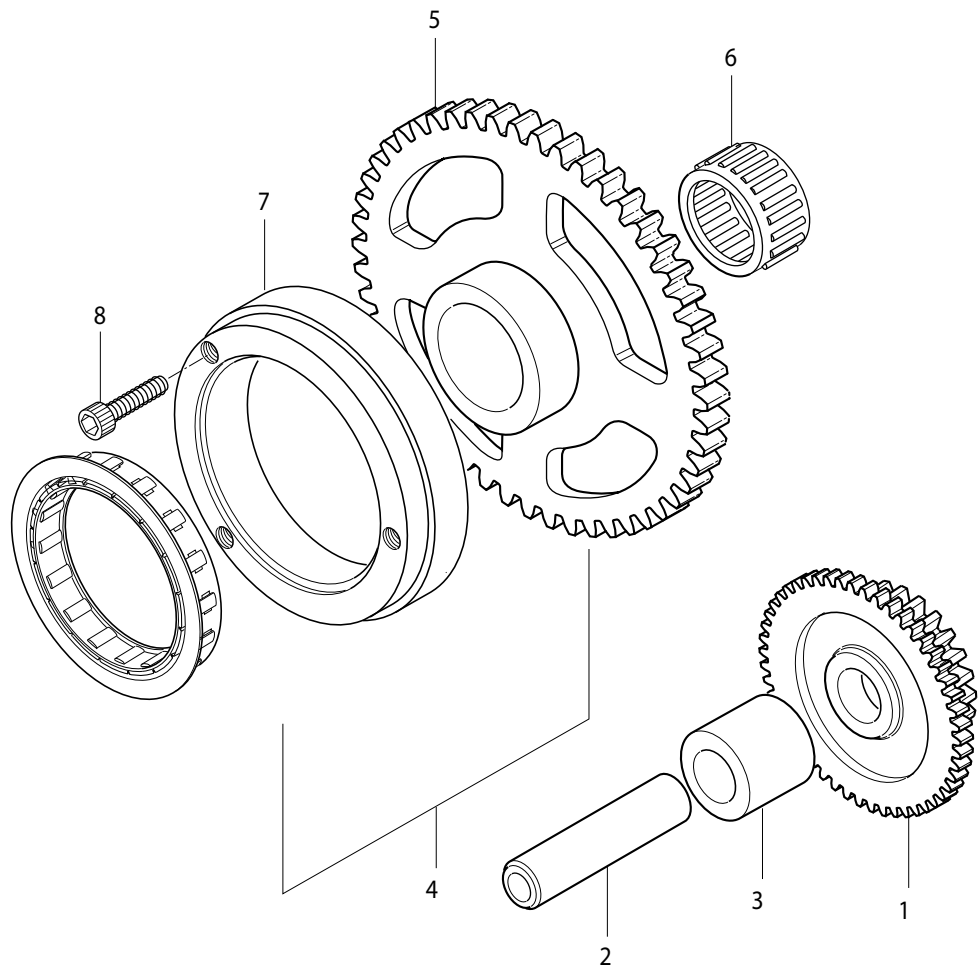


FIG 7. STARTER CLUTCH

REF. NO.	PARTS NO.			PARTS NAME	Q`TY	REMARKS	REC.Q'TY (PCS)
	SEN01/SSA01	SEU01/SF01/SG01/SS01	7EG01/8EG01				
1	12611-04B00	12611-04B00	12611-04B00	GEAR, STARTER IDLE	1		10
2	09206-13003	09206-13003	09206-13003	PIN, STARTER IDLE GEAR	1		
3	09180-13006	09180-13006	09180-13006	SPACER, STARTER IDLE GEAR	1		
4	12620-42A01HPA	12620-42A01HPA	12620-42A01HPA	CLUTCH SET, STARTER	1	No. 5 + No. 6	10
5	12620-42A01	12620-42A01	12620-42A01	GEAR COMP, STARTER CLUTCH	1	NOT SALE	
6	09263-22031	09263-22031	09263-22031	BEARING, S/CLUTCH GEAR	1	NOT SALE	
7	12614-02C00	12614-02C00	12614-02C00	CLUTCH, STARTER CLUTCH	1		
8	07110-08168	07110-08168	07110-08168	BOLT, STARTER CLUTCH	3		

FIG 8

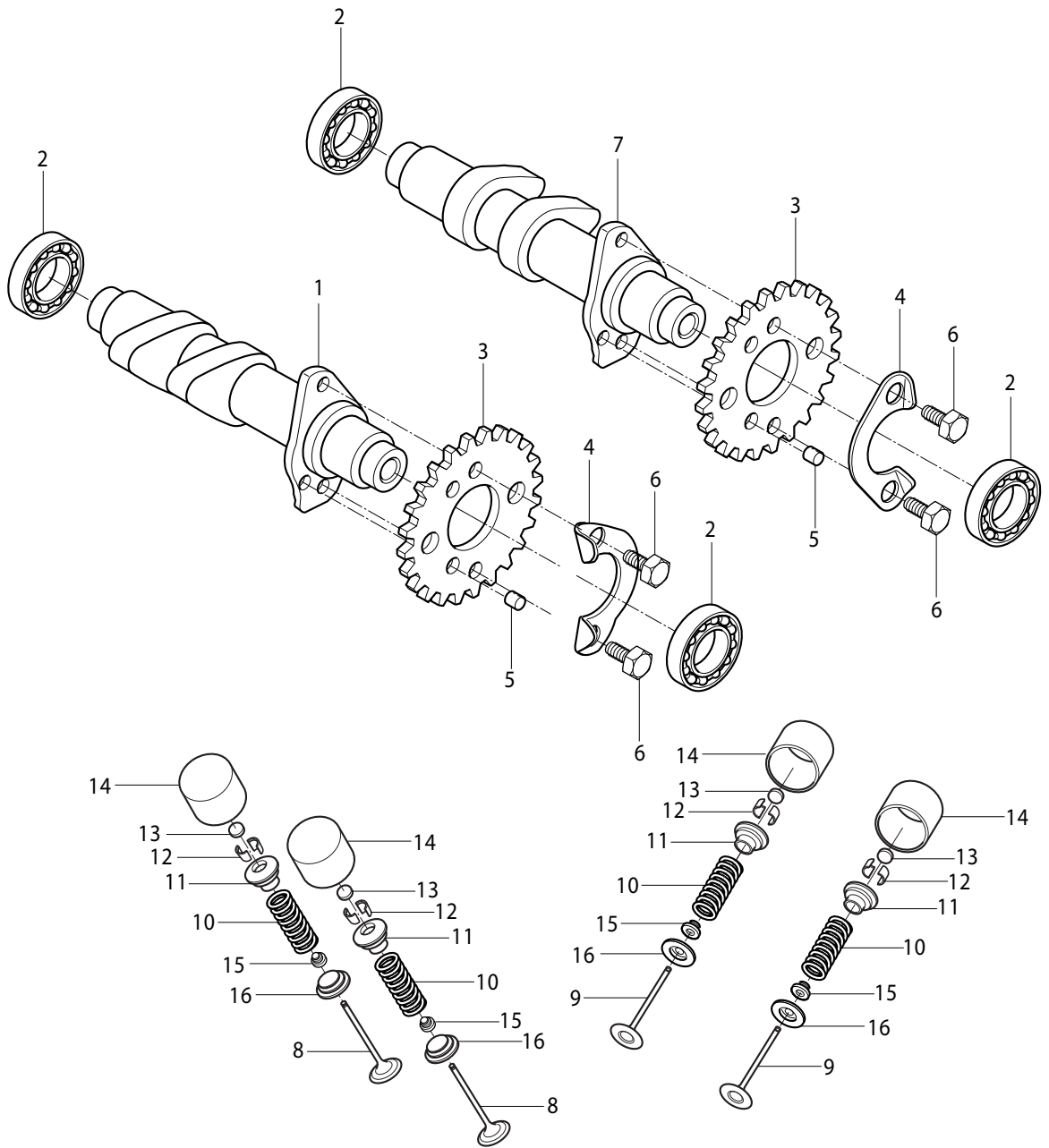


FIG 8. CAM SHAFT

REF. NO.	PARTS NO.			PARTS NAME	Q'TY	REMARKS	REC.Q'TY (PCS)
	SEN01/SSA01	SEU01/SF01/SG01/SS01	7EG01/8EG01				
1	12711-35C00888	12711-35C00888	12711-35C00888	CAMSHAFT, INTAKE	1		
2	09262-17019	09262-17019	09262-17019	BEARING, CAMSHAFT	4		10
3	12741H16E00	12741H16E00	12741H16E00	SPROCKET, CAMSHAFT	2		
4	12747-44B00	12747-44B00	12747-44B00	WASHER, SPROCKET	2		
5	09261-05005	09261-05005	09261-05005	PIN, SPROCKET KNOCK	2		
6	09111-06032	09111-06032	09111-06032	BOLT, SPROCKET	4		
7	12721-35C00888	12721-35C00888	12721-35C00888	CAM SHAFT, EXHAUST	1		
8	12911HJ8200	12911HJ8200	12911HJ8200	VALVE , INTAKE	2		
9	12912HJ8200	12912HJ8200	12912HJ8200	VALVE , EXHAUST	2		
10	12921HJ8200	12921HJ8200	12921HJ8200	SPRING, VALVE	4		
11	12931HJ8200	12931HJ8200	12931HJ8200	RETAINER, VALVE SPRING	4		
12	12932HJ8200	12932HJ8200	12932HJ8200	COTTER, VALVE	8		
13-1	12892-05C00-160	12892-05C00-160	12892-05C00-160	SHIM, TAPPET	4		20
13-2	12892-05C00-165	12892-05C00-165	12892-05C00-165	SHIM, TAPPET	4		20
13-3	12892-05C00-170	12892-05C00-170	12892-05C00-170	SHIM, TAPPET	4		20
13-4	12892-05C00-175	12892-05C00-175	12892-05C00-175	SHIM, TAPPET	4		20
13-5	12892-05C00-180	12892-05C00-180	12892-05C00-180	SHIM, TAPPET	4		20
13-6	12892-05C00-185	12892-05C00-185	12892-05C00-185	SHIM, TAPPET	4		20
13-7	12892-05C00-190	12892-05C00-190	12892-05C00-190	SHIM, TAPPET	4		20
13-8	12892-05C00-195	12892-05C00-195	12892-05C00-195	SHIM, TAPPET	4		20
14	12891-16E00	12891-16E00	12891-16E00	TAPPET	4		
15	09289-04002	09289-04002	09289-04002	OIL SEAL, VALVE	4		
16	12933HJ8200	12933HJ8200	12933HJ8200	SEAT, VALVE SPRING	4		

FIG 9

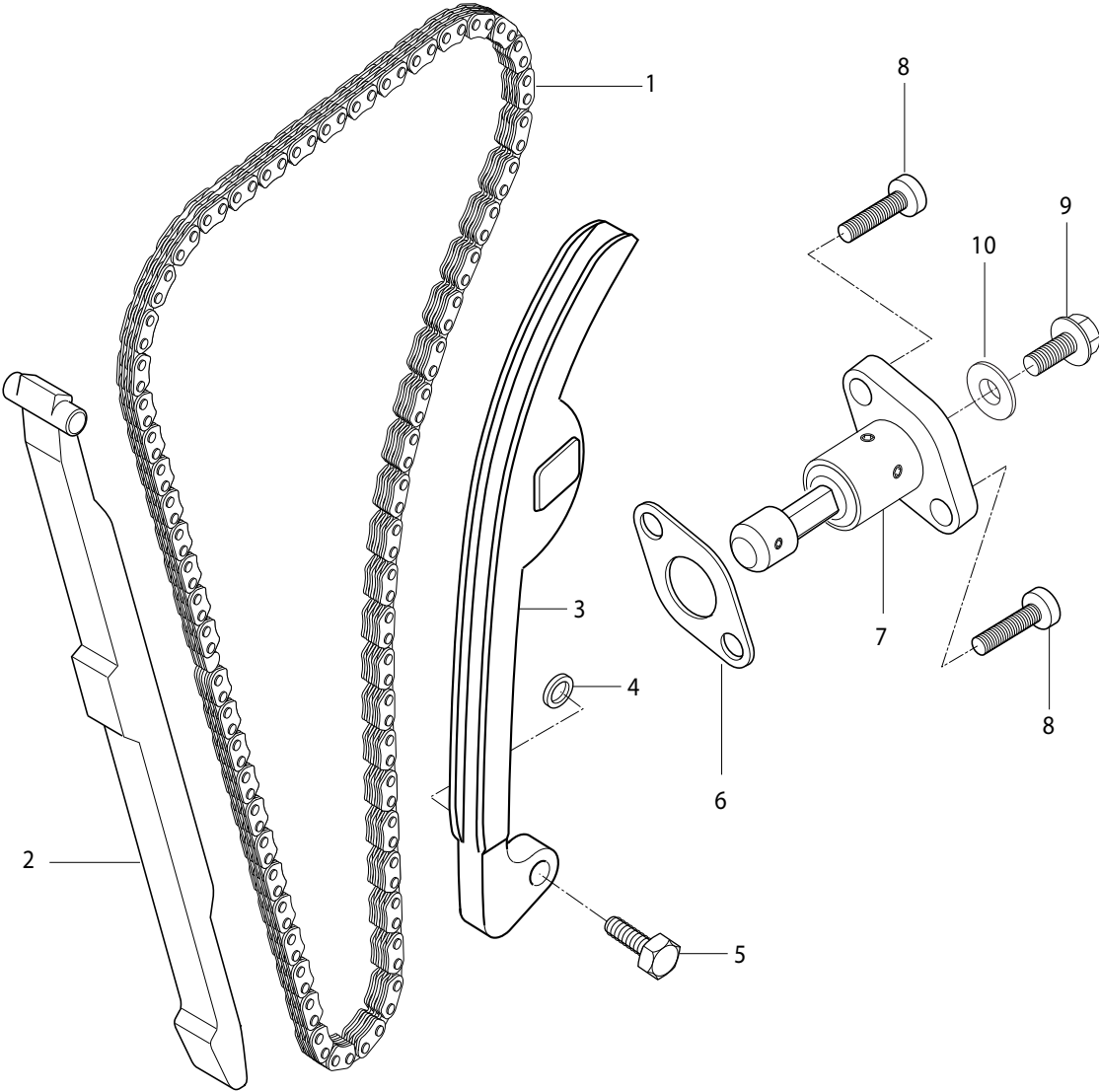


FIG 9.CAM CHAIN

REF. NO.	PARTS NO.			PARTS NAME	Q`TY	REMARKS	REC.Q'TY (PCS)
	SEN01/SSA01	SEU01/SF01/SG01/SS01	7EG01/8EG01				
1	12760-16E00	12760-16E00	12760-16E00	CHAIN, CAMSHAFT DRIVE	1		5
2	12771-16E00	12771-16E00	12771-16E00	GUIDE, CAM CHAIN No.1	1		
3	12811-16E00	12811-16E00	12811-16E00	GUIDE, CAM CHAIN No.2	1		
4	08211-06181	08211-06181	08211-06181	WASHER	1		
5	12812H35C00	12812H35C00	12812H35C00	BOLT, C/CHAIN TENSIONER	1		
6	12837HP7600	12837HP7600	12837HP7600	GASKET, TENSIONER ADJUSTER	1		20
7	12830HR6500	12830HR6500	12830HR6500	ADJUSTER ASS'Y, TENSIONER	1		10
8	07110-06208	07110-06208	07110-06208	BOLT, TENSIONER ADJUSTER	2		
9	12839HP7600	12839HP7600	12839HP7600	SCREW, ADJUSTER	1		
10	12838HP7600	12838HP7600	12838HP7600	O-RING, ADJUSTER	1		

FIG 10

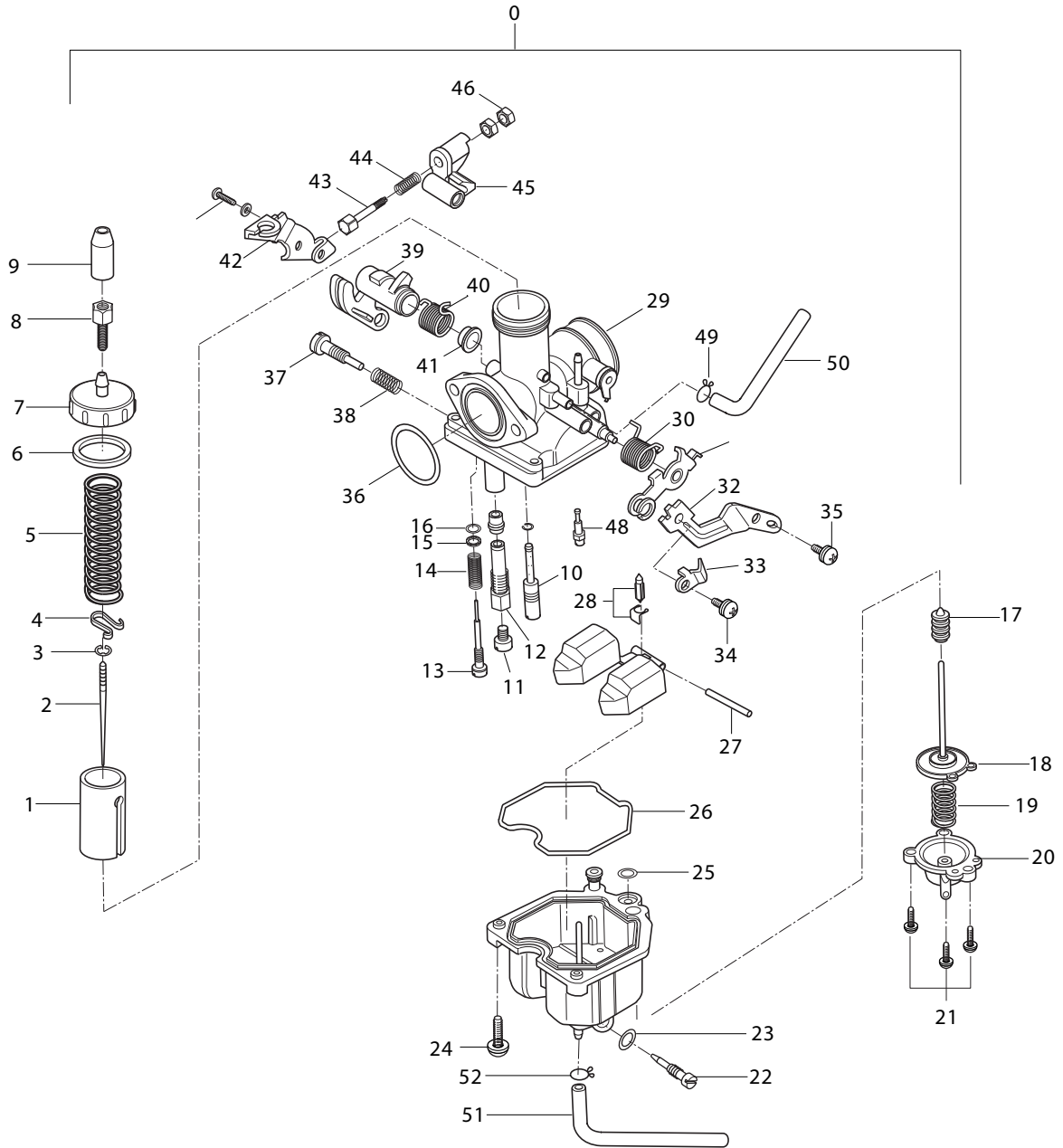


FIG 10. CABURETOR ASS'Y

REF.	PARTS NO.			PARTS NAME	Q'TY	REMARKS	REC.Q'TY
NO.	SEN01/SSA01	SEU01/SF01/SG01/SS01	7EG01/8EG01				(PCS)
0	13200HR7800	13200HR7800	13200HR7800	CARBURETOR ASSY	1		5
1	13511H93B00	13511H93B00	13511H93B00	VALVE, thorttle	1	NOT SALE	
2	13383H93B00	13383H93B00	13383H93B00	. NEEDLE, jet	1	NOT SALE	
3	13533H93B00	13533H93B00	13533H93B00	. E-RING, thorttle valve	1	NOT SALE	
4	13581H93B00	13581H93B00	13581H93B00	. CLIP	1	NOT SALE	
5	13573H93B00	13573H93B00	13573H93B00	. SPRING, thorttle valve	1	NOT SALE	
6	13249H93B00	13249H93B00	13249H93B00	. GASKET, top cover	1	NOT SALE	
7	13261H93B00	13261H93B00	13261H93B00	. COVER, top	1	NOT SALE	
8	13577H93B00	13577H93B00	13577H93B00	. ADJUSTER, thorttle cable	1	NOT SALE	
9	13681H93B00	13681H93B00	13681H93B00	. CAP, carburetor top	1	NOT SALE	
10	09492H40001	09492H40001	09492H40001	. JET, pilot	1	NOT SALE	
11	09494H93B00	09494H93B00	09494H93B00	. JET, main	1	NOT SALE	
12	09491H95001	09491H95001	09491H95001	. JET, needle	1	NOT SALE	
13	13279H93B00	13279H93B00	13279H93B00	. SCREW, pilot	1	NOT SALE	
14	13268H93B00	13268H93B00	13268H93B00	. SPRING, pilot screw	1	NOT SALE	
15	13291H93B00	13291H93B00	13291H93B00	. WASHER	1	NOT SALE	
16	13295H93B00	13295H93B00	13295H93B00	. O-RING	1	NOT SALE	
17	13455H93B00	13455H93B00	13455H93B00	. CAP, sealing	1	NOT SALE	
18	13460H93B00	13460H93B00	13460H93B00	. DIAPHRAGM COMP, pump	1	NOT SALE	
19	13452H93B00	13452H93B00	13452H93B00	. SPRING, pump diaphragm	1	NOT SALE	
20	13450H93B00	13450H93B00	13450H93B00	. COVER COMP, pump	1	NOT SALE	
21	02112-44126	02112-44126	02112-44126	. SCREW(M44x12)	3	NOT SALE	
22	13247H93B00	13247H93B00	13247H93B00	. SCREW, drain	1	NOT SALE	
23	13278H93B00	13278H93B00	13278H93B00	. O-RING, drain screw	1	NOT SALE	
24	02112-44166	02112-44166	02112-44166	. SCREW(M44x16)	3	NOT SALE	
25	13297H93B00	13297H93B00	13297H93B00	. O-RING	1	NOT SALE	
26	13258H93B00	13258H93B00	13258H93B00	. GASKET, float chamber	1	NOT SALE	
27	13250H93B00	13250H93B00	13250H93B00	. FLOAT COMP	1	NOT SALE	
28	13370H93B00	13370H93B00	13370H93B00	. VALVE ASSY, needle	1	NOT SALE	
29	13410H93B00	13410H93B00	13410H93B00	. SHAFT ASSY, choke	1	NOT SALE	

FIG 10

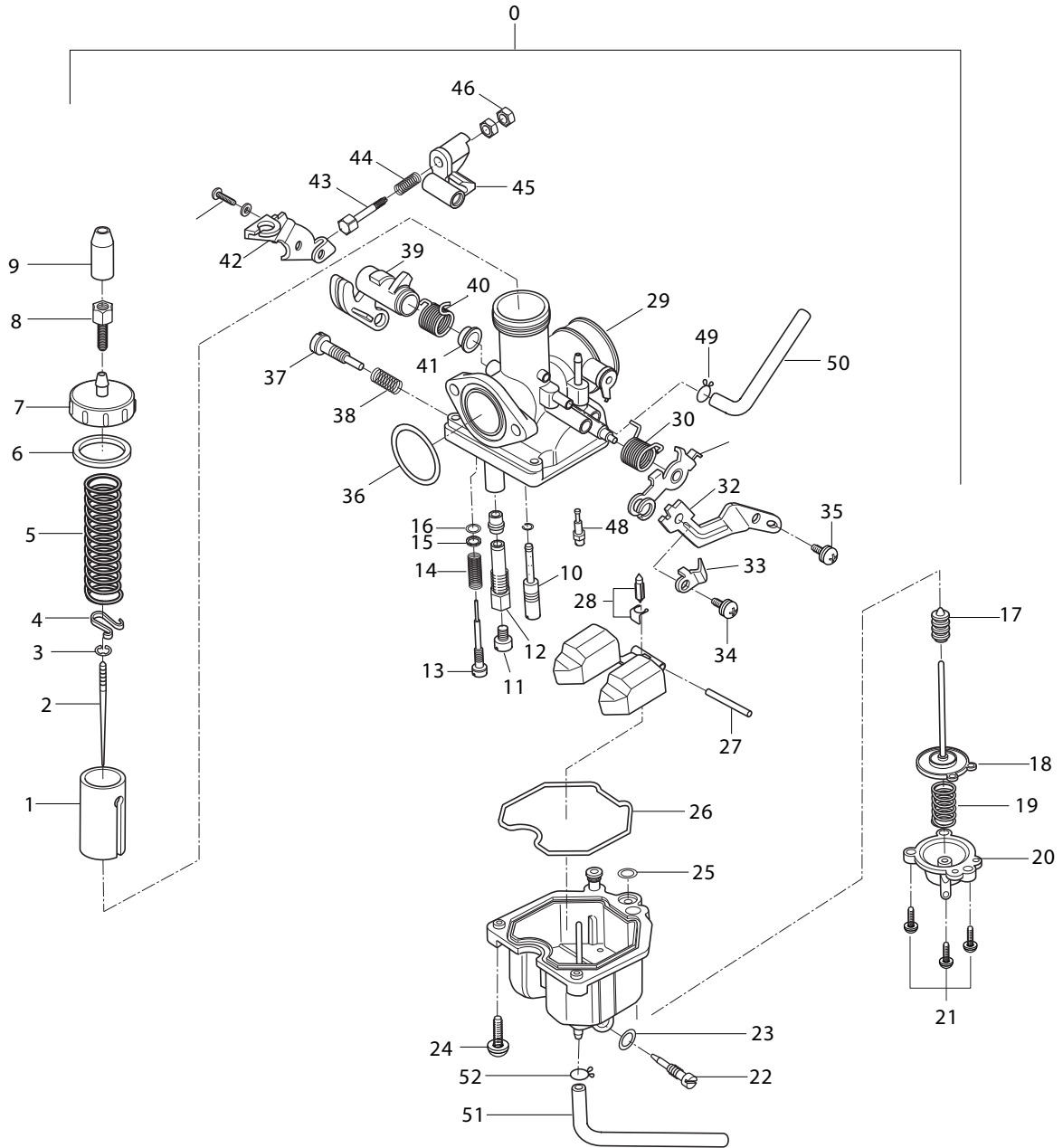


FIG 10. CABURETOR ASS'Y

REF. NO.	PARTS NO.			PARTS NAME	Q'TY	REMARKS	REC.Q'TY (PCS)
	SEN01/SSA01	SEU01/SF01/SG01/SS01	7EG01/8EG01				
30	13472HF4601	13472HF4601	13472HF4601	. SPRING	1	NOT SALE	
31	13411H93B00	13411H93B00	13411H93B00	. LEVER, choke	1	NOT SALE	
32	13413H93B00	13413H93B00	13413H93B00	. STAY, choke wire	1	NOT SALE	
33	13415H93B00	13415H93B00	13415H93B00	. PLATE, stay	1	NOT SALE	
34	02112-45126	02112-45126	02112-45126	. SCREW, stay plate(M45x12)	1	NOT SALE	
35	02112-44086	02112-44086	02112-44086	. SCREW, choke wire stay(M44x8)	1	NOT SALE	
36	13277H93B00	13277H93B00	13277H93B00	. O-RING	1	NOT SALE	
37	13267H93B00	13267H93B00	13267H93B00	. ADJUSTER, thorttle valve stop	1	NOT SALE	
38	13268H93B00	13268H93B00	13268H93B00	. SPRING, thorttle stop	1	NOT SALE	
39	13441H93B00	13441H93B00	13441H93B00	. PUMP, ARM-B	1	NOT SALE	
40	13443H93B00	13443H93B00	13443H93B00	. SPRING, pump arm-b	1	NOT SALE	
41	13442H93B00	13442H93B00	13442H93B00	. GUIDE, pump arm-b spring	1	NOT SALE	
42	13449H93B00	13449H93B00	13449H93B00	. STAY PLATE, pump arm	1	NOT SALE	
43	13447H93B00	13447H93B00	13447H93B00	. ADJUSTER, pump	1	NOT SALE	
44	13446H93B00	13446H93B00	13446H93B00	. SPRING, pump arm-a	1	NOT SALE	
45	13445H93B00	13445H93B00	13445H93B00	. PUMP, ARM-A	1	NOT SALE	
46	08310-31046	08310-31046	08310-31046	. NUT, pump adjuster(M31)	1	NOT SALE	
47	02112-45146	02112-45146	02112-45146	. SCREW, pump arm stay plate(M45x14)	1	NOT SALE	
48	13448H93B00	13448H93B00	13448H93B00	. NOZZLE, pump	1	NOT SALE	
49	09401 - 08401	09401 - 08401	09401 - 08401	. CLIP	1	NOT SALE	
50	13684H93B00	13684H93B00	13684H93B00	. HOSE	1	NOT SALE	
51	13683H93B00	13683H93B00	13683H93B00	. HOSE	1	NOT SALE	
52	09401-08401	09401-08401	09401-08401	. CLIP	1	NOT SALE	

FIG.11

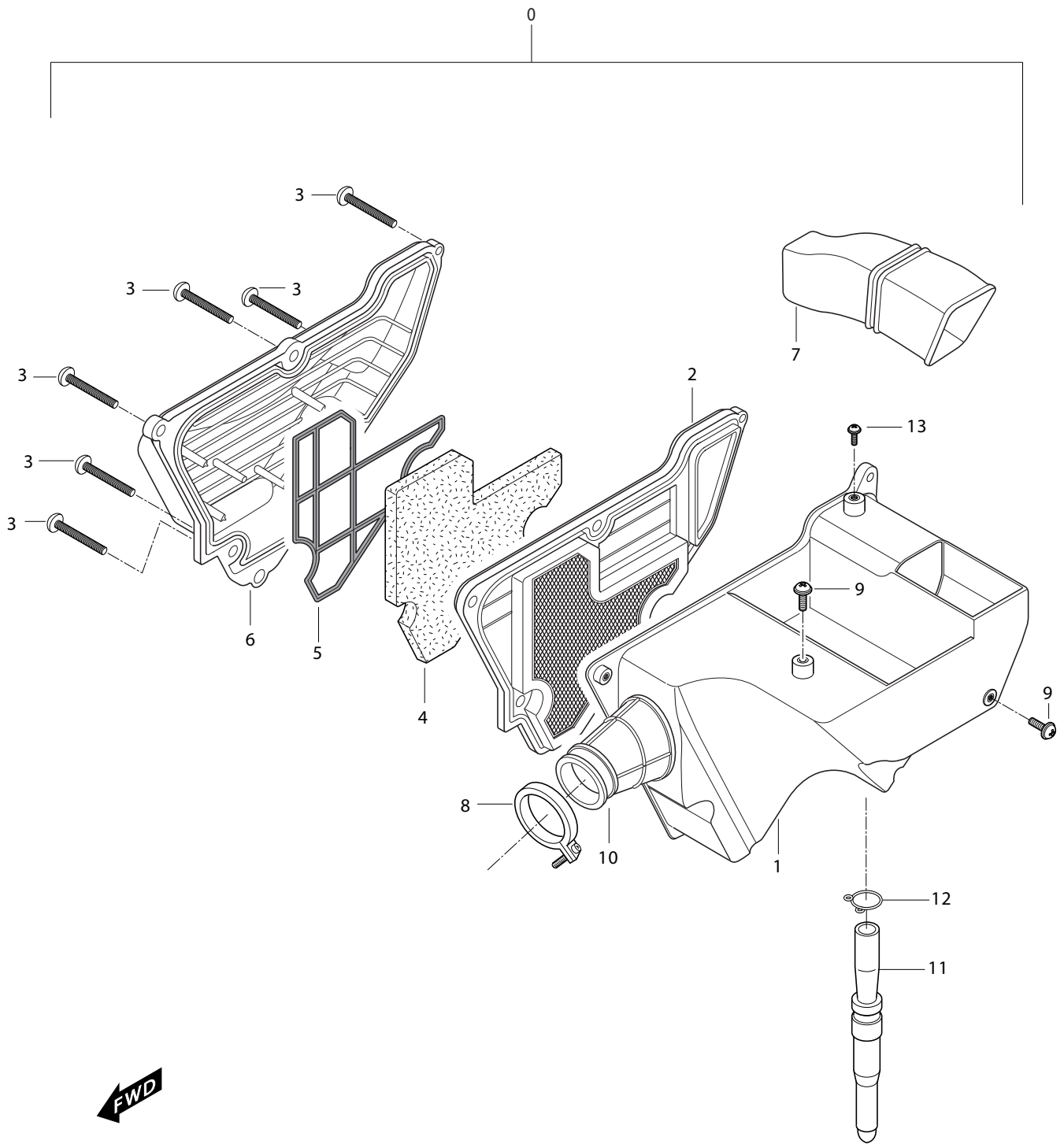


FIG 11. AIR CLEANER

REF. NO.	PARTS NO.			PARTS NAME	Q'TY	REMARKS	REC.Q'TY (PCS)
	SEN01/SSA01	SEU01/SF01/SG01/SS01	7EG01/8EG01				
0	13700HR7800	13700HR7800	13700HR7800	CLEANER ASSY, air	1		5
1	13720HM5410	13720HM5410	13720HM5410	CASE COMP, air cleaner	1	NOT SALE	
2	13782HM5400	13782HM5400	13782HM5400	CAP COMP, air cleaner	1	NOT SALE	
3	13780HM5401	13780HM5401	13780HM5401	FILTER COMP, air cleaner	1		40
4	13781HM5401	13781HM5401	13781HM5401	TUBE, outlet	1		
5	13751HM5401	13751HM5401	13751HM5401	CLAMP, outlet tibe carburet	1		
6	13740HM5401	13740HM5401	13740HM5401	BOLT, air cleaner filter	4		
7	13891HM5400	13891HM5400	13891HM5400	BOLT, air cleaner	4		
8	09402-44207	09402-44207	09402-44207	HEAD SHIELD, air cleaner	1		
9	02142-16125	02142-16125	02142-16125	HOSE, breather oil return	1		
10	13881HR7800	13881HR7800	13881HR7800	CLAMP, breather oil return hose	2		
11	13870-11124	13870-11124	13870-11124	TUBE COMP, drain	1		
12	09401-14301	09401-14301	09401-14301	CLIP, prain tube	1		
13	02142-06205	02142-06205	02142-06205	SCREW, air cleaner	1		

FIG.12

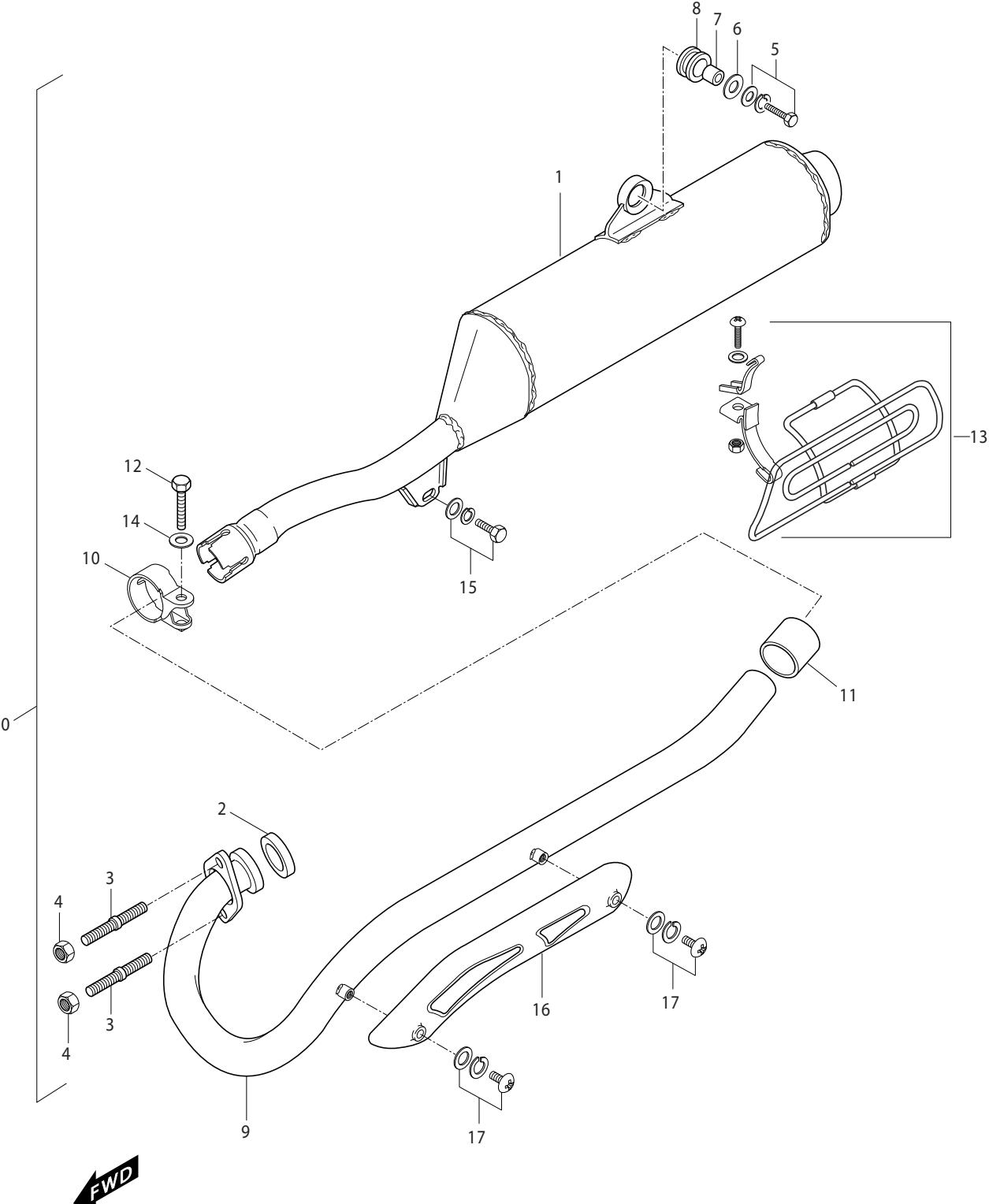
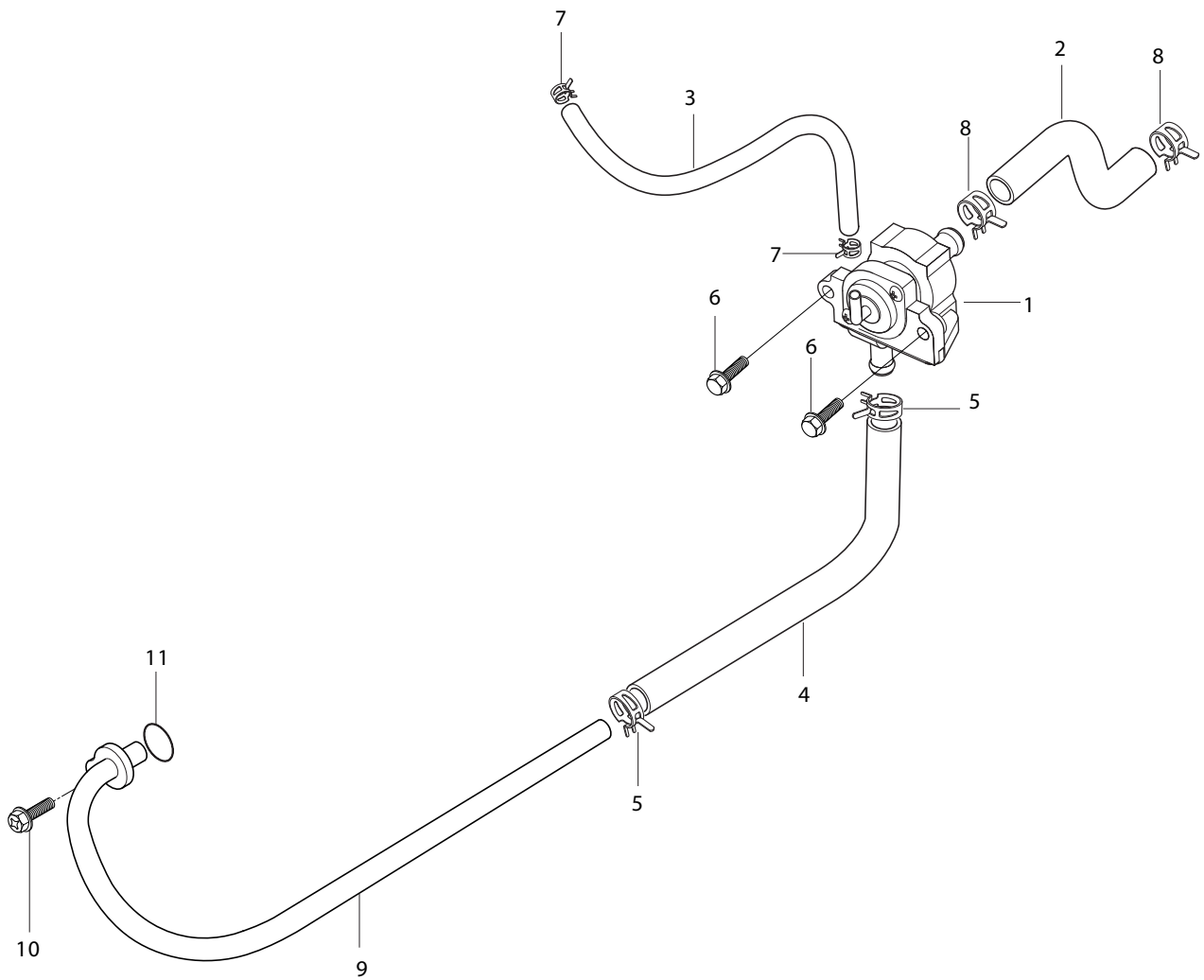


FIG 12. MUFFLER

REF. NO.	PARTS NO.			PARTS NAME	Q'TY	REMARKS	REC.Q'TY (PCS)
	SEN01/SSA01	SEU01/SF01/SG01/SS01	7EG01/8EG01				
0	14305HS7800	14305HS7800	14305HR7800	MUFFLER ASSY	1	NOT SALE	
1	14310HS7800PAM	14310HS7800PAM	14310HR7800PAM	BODY COMP, muffler	1	7EG01	3
			14310HS7800PAM	BODY COMP, muffler	1	8EG01	
2	14181-17C01	14181-17C01	14181-17C01	GASKET, exhaust pipe	1		20
3	01421-08258	01421-08258	01421-08258	STUD BOLT,exhaust pipe(M8x25)	2		3
4	08316-26086	08316-26086	08316-26086	NUT, exhaust pipe(M8)	2		
5	09118H08041	09118H08041	09118H08041	BOLT, muffler support(M8x35)	1		
6	09160-08002	09160-08002	09160-08002	WASHER, muffler support	1		
7	09180H08102	09180H08102	09180H08102	SPACER, muffler support	1		
8	09320-12026	09320-12026	09320-12026	CUSHION, muffler support	1		
9	14150HR7800PAM	14150HR7800PAM	14150HR7800PAM	PIPE COMP, exhaust	1		5
10	14770HG5802PAM	14770HG5802PAM	14770HG5802PAM	CONNECTOR COMP, exhaust pipe	1		5
11	14773HG5800	14773HG5800	14773HG5800	GASKET, connector exhaust pipe	1		
12	01517-08468	01517-08468	01517-08468	BOLT, connector exhaust pipe	1		
13	14760HM5401	14760HM5401	14760HM5401	PROTECTOR ASSY, muffler body	1		
14	08322-21088	08322-21088	08322-21088	WASHER, exhaust pipe connector	1		
15	01187-08168	01187-08168	01187-08168	BOLT, exhaust support front bkt	1		
16	14186HG5801PAM	14186HG5801PAM	14186HG5801PAM	COVER, exhaust	1		
17	02112-35088	02112-35088	02112-35088	SCREW, exhaust cover	2		

FIG 13



FWD

FIG 13. 2ND AIR VALVE

REF. NO.	PARTS NO.			PARTS NAME	Q`TY	REMARKS	REC.Q'TY (PCS)
	SEN01/SSA01	SEU01/SF01/SG01/SS01	7EG01/8EG01				
1	18500HN9100	18500HN9100	18500HN9100	VALVER ASS'Y , 2nd air	1		5
2	18651HG5850	18651HG5850	18651HG5850	HOSE, air cleaner	1		5
3	18681HN9100	18681HN9100	18681HN9100	HOSE, 2nd vacuum	1		5
4	18631HG5850	18631HG5850	18631HG5850	HOSE, 2nd air pipe	1		5
5	09401H13401	09401H13401	09401H13401	CLAMP, 2nd air pipe hose	2		
6	01104-06208	01104-06208	01104-06208	BOLT, 2nd air valve	2		
7	09401H08401	09401H08401	09401H08401	CLAMP, 2nd vacuum hose	2		
8	09401H14401	09401H14401	09401H14401	CLAMP, 2nd air cleaner hose	2		
9	18610HR7800	18610HR7800	18610HR7800	PIPE COMP, 2nd air	1		5
10	09128-06005	09128-06005	09128-06005	BOLT, 2nd air pipe	1		
11	09280H12005	09280H12005	09280H12005	O-RING, 2nd air valve	1		

FIG 13-1

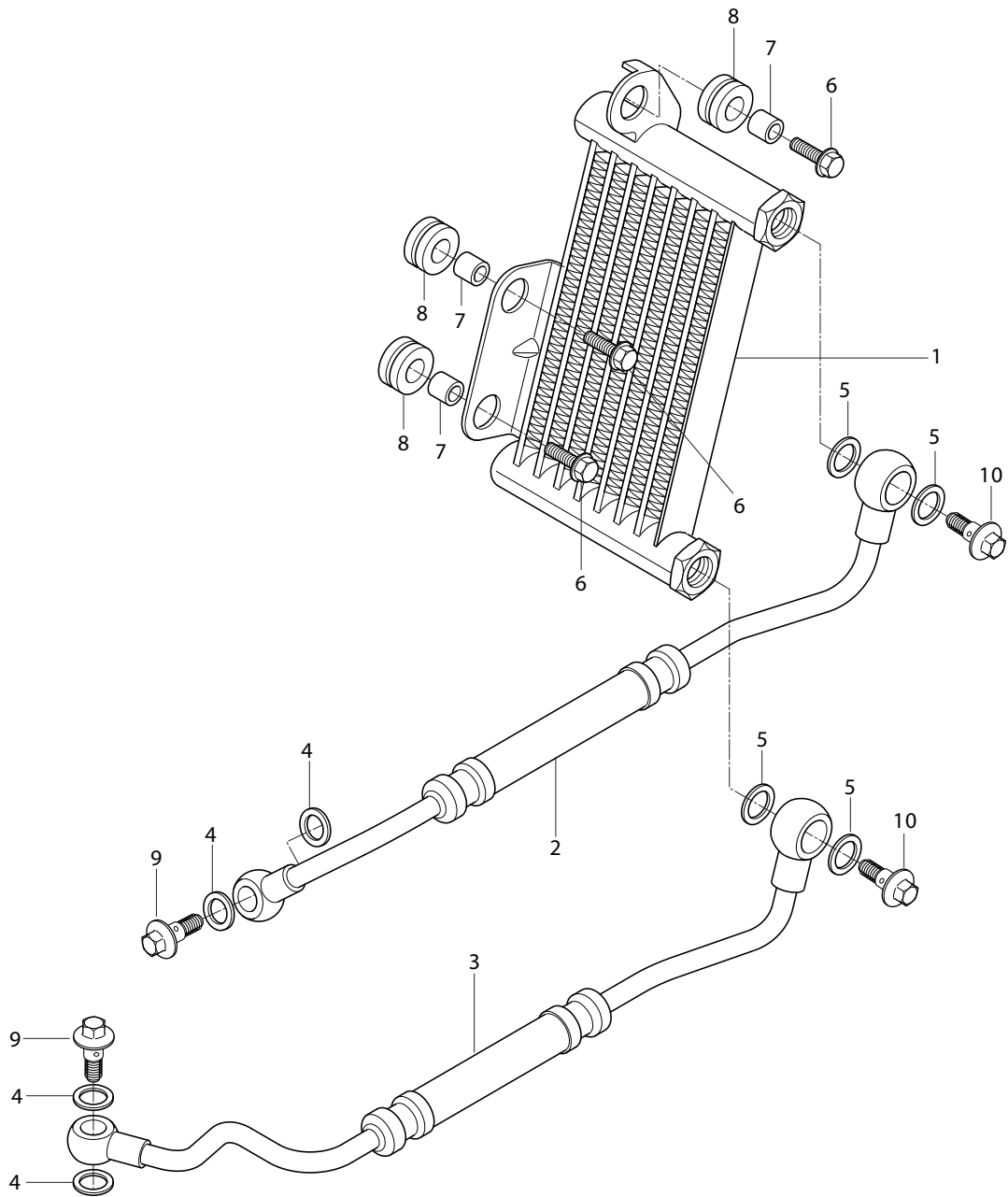


FIG 13-1. OIL COOLER

REF. NO.	PARTS NO.			PARTS NAME	Q`TY	REMARKS	REC.Q`TY (PCS)
	SEN01/SSA01	SEU01/SF01/SG01/SS01	7EG01/8EG01				
1	16600HR7800121	16600HR7800121	16600HR7800121	COOLER ASS'Y OIL	1		5
2	16460HR7800	16460HR7800	16460HR7800	HOSE COMP, OIL COOLER No.1	1		5
3	16470HR7800	16470HR7800	16470HR7800	HOSE COMP, OIL COOLER No.2	1		5
4	09161-10009	09161-10009	09161-10009	GASKET, OIL COOLER HOSE No.1	4		10
5	09168-14011	09168-14011	09168-14011	GASKET, OIL COOLER HOSE No.2	4		10
6	09116-06143	09116-06143	09116-06143	BOLT, OIL COOLER	3		10
7	09180-06030	09180-06030	09180-06030	SPACER, OIL COOLER	3		10
8	09320-10015	09320-10015	09320-10015	CUSHION, OIL COOLER	3		10
9	09360H10034	09360H10034	09360H10034	BOLT, OIL HOSE UNION No.1	2		10
10	09360H12007	09360H12007	09360H12007	BOLT, OIL HOSE UNION No.2	2		10

FIG 14

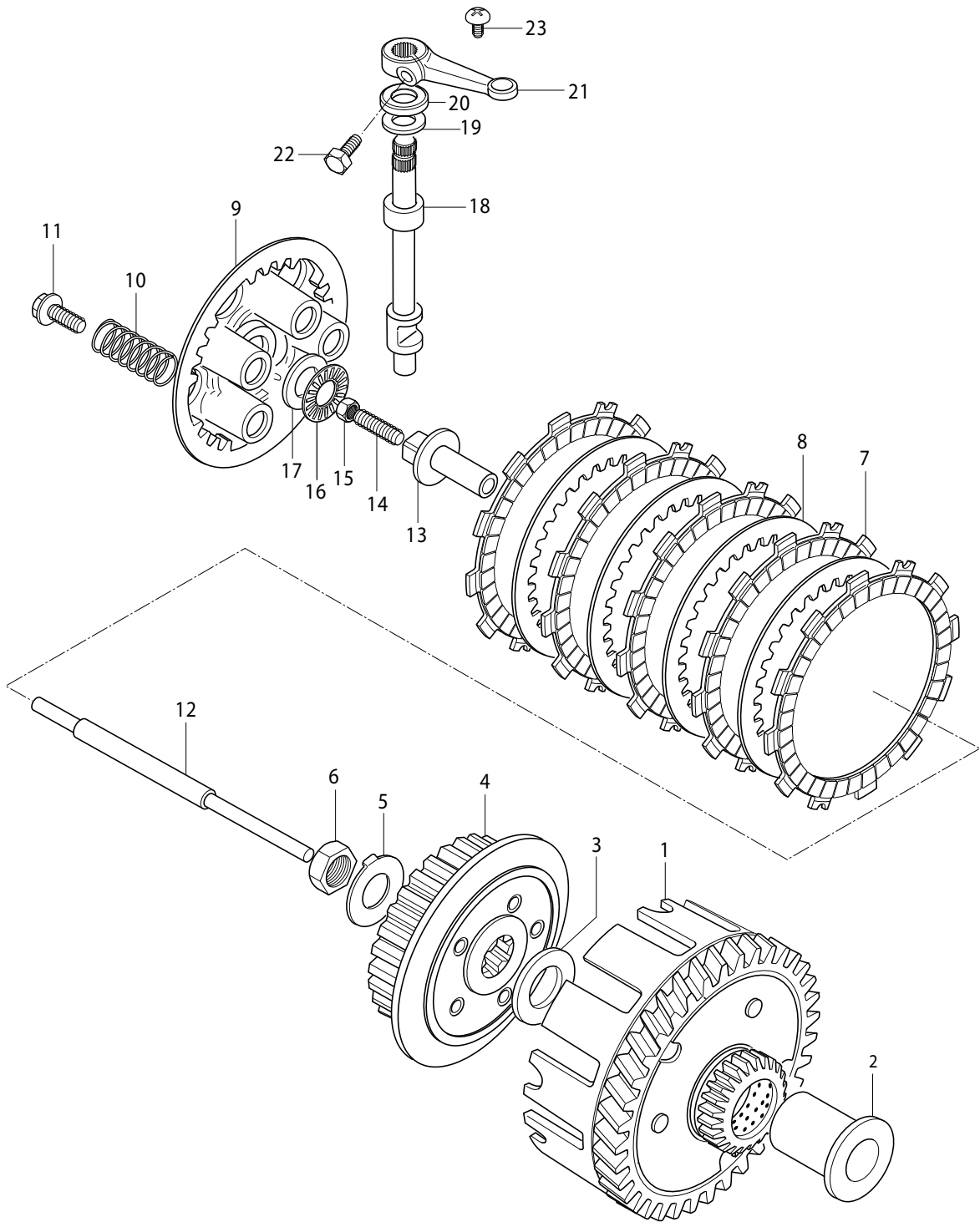


FIG 14. CLUTCH ASS'Y

REF. NO.	PARTS NO.			PARTS NAME	Q'TY	REMARKS	REC.Q'TY (PCS)
	SEN01/SSA01	SEU01/SF01/SG01/SS01	7EG01/8EG01				
1	21210HR7800	21210HR7800	21210HR7800	GEAR COMP, PRIMARY DRIVEN	1		5
2	21251-13E00	21251-13E00	21251-13E00	SPACER, P/DRIVEN GEAR	1		
3	08211-20352	08211-20352	08211-20352	THRUST WASHER, C/SLEEVE	1		
4	21411-05200	21411-05200	21411-05200	HUB, CLUTCH SLEEVE	1		5
5	09169-16003	09169-16003	09169-16003	WASHER, CLUTCH SLEEVE HUB	1		
6	09140-16014	09140-16014	09140-16014	NUT, CLUTCH SLEEVE HUB	1		
7	21441-13A01	21441-13A01	21441-13A01	PLATE, CLUTCH DRIVE	5		
8	21451-28000	21451-28000	21451-28000	PLATE, CLUTCH DRIVEN	4		
9	21462-14102	21462-14102	21462-14102	DISK, CLUTCH PRESSURE	1		
10	09440-15014	09440-15014	09440-15014	SPRING, CLUTCH	5		
11	09116-05003	09116-05003	09116-05003	BOLT, CLUTCH SPRING	5		
12	23110-05202	23110-05202	23110-05202	ROD COMP, CLUTCH PUSH	1		
13	23121-05200	23121-05200	23121-05200	PIECE, CLUTCH PUSH	1		
14	09134-06010	09134-06010	09134-06010	SCREW, C/RELEASE ADJUSTER	1		
15	09140-06023	09140-06023	09140-06023	NUT, C/RELEASE ADJUSTER	1		
16	09263-15003	09263-15003	09263-15003	THRUST BEARING, C/RELEASE	1		
17	09160-15015	09160-15015	09160-15015	THRUST WASHER, C/RELEASE	1		
18	23122-05200	23122-05200	23122-05200	CAMSHAFT, CLUTCH RELEASE	1		
19	08211-10201	08211-10201	08211-10201	THRUST WASHER, C/RELEASE CAMSHAFT	1		
20	09282-10007	09282-10007	09282-10007	OIL SEAL, C/RELEASE CAMSHAFT	1		
21	23271-46000	23271-46000	23271-46000	ARM, C/RELEASE	1		
22	01107-06165	01107-06165	01107-06165	BOLT, C/RELEASE ARM	1		
23	02142-06108	02142-06108	02142-06108	STOPPER, C/RELEASE CAMSHAFT	1		

FIG 15

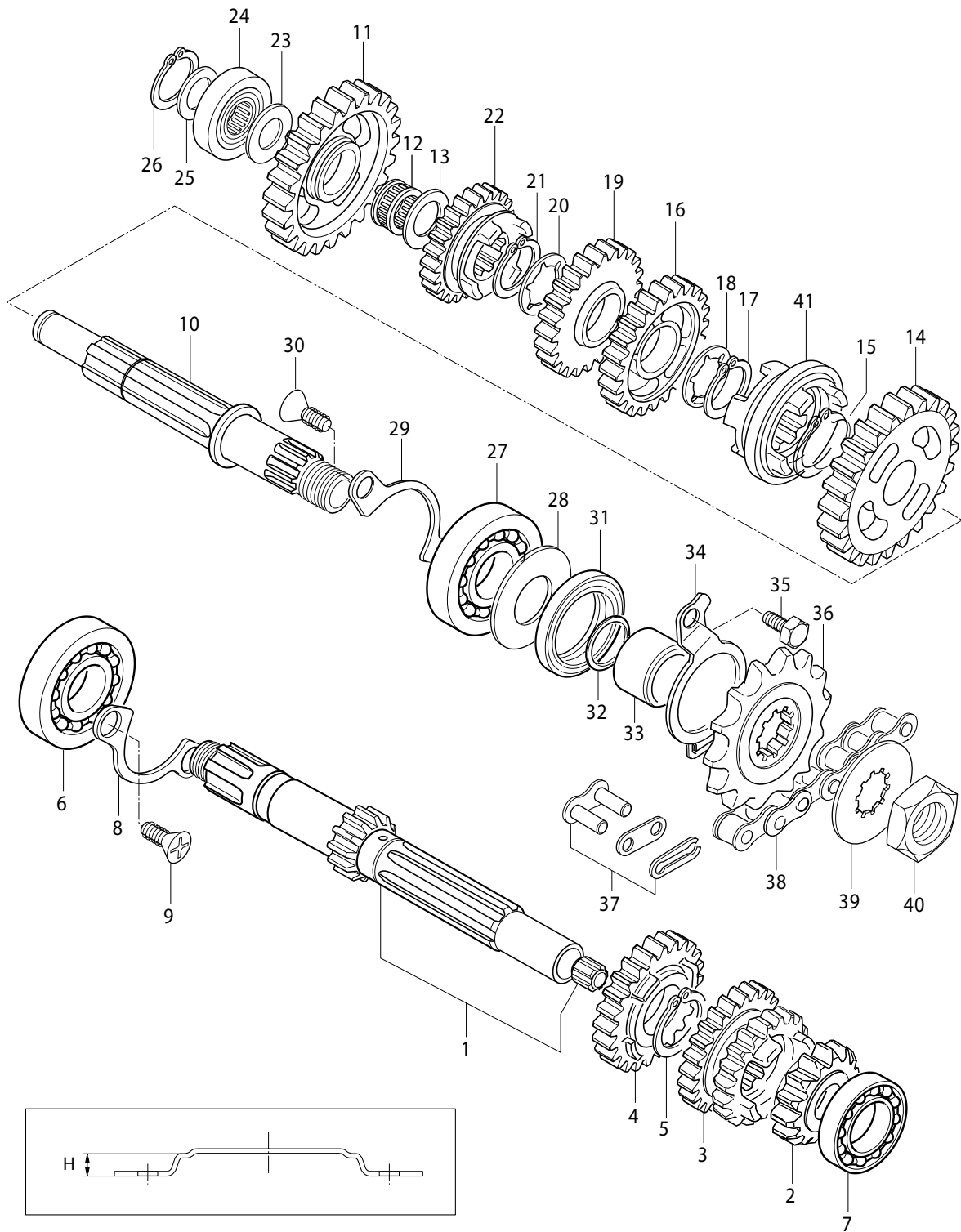


FIG 15. TRANSMISSION

REF. NO.	PARTS NO.			PARTS NAME	Q'TY	REMARKS	REC.Q'TY (PCS)
	SEN01/SSA01	SEU01/SF01/SG01/SS01	7EG01/8EG01				
0	24200S35C00HPA	24200S35C00HPA	24200S35C00HPA	MISSION SET	1		5
1	24121-05211	24121-05211	24121-05211	SHAFT COMP, COUNTER	1		5
2	24221-29B00	24221-29B00	24221-29B00	GEAR, 2ND DRIVE	1		5
3	24231-29B10	24231-29B10	24231-29B10	GEAR, 3RD & 4TH DRIVE	1		5
4	24251-05202	24251-05202	24251-05202	GEAR, 5TH DRIVE	1		5
5	09380-20009	09380-20009	09380-20009	CIRCLIP, 5TH DRIVE GEAR	1		5
6	09262-20062	09262-20062	09262-20062	BEARING, COUNTER SHAFT R	1		5
7	08123-60020	08123-60020	08123-60020	BEARING, COUNTER SHAFT L	1		5
8	24741-05200	24741-05200	24741-05200	RETAINER, COUNTER SHAFT BEARING	1		5
9	02122-06128	02122-06128	02122-06128	SCREW, C/SHAFT RETAINER	1		5
10	24130HR7800	24130HR7800	24130HR7800	SHAFT COMP, DRIVE	1		5
11	24311-29B00	24311-29B00	24311-29B00	GEAR, 1ST DRIVEN	1		5
12	09263H15002	09263H15002	09263H15002	BEARING, 1ST DRIVEN GEAR	1		5
13	08211-15251	08211-15251	08211-15251	THRUST WASHER, 1ST DRIVEN GEAR	1		5
14	24320-29B00	24320-29B00	24320-29B00	GEAR, 2ND DRIVEN	1		5
15	09380-20009	09380-20009	09380-20009	CIRCLIP, 2ND DRIVEN GEAR	3		20
16	24331-05201	24331-05201	24331-05201	GEAR, 3RD DRIVEN	1		5
17	09380-20009	09380-20009	09380-20009	CIRCLIP, 3RD DRIVEN GEAR	1		5
18	09167-20011	09167-20011	09167-20011	THRUST WASHER, 3ND DRIVEN	1		5
19	24341-29B10	24341-29B10	24341-29B10	GEAR, 4TH DRIVEN	1		5
20	09167-20011	09167-20011	09167-20011	THRUST WASHER, 4ND DRIVEN	1		5
21	09380-20009	09380-20009	09380-20009	CIRCLIP, 4TH DRIVEN GEAR	1		20
22	24351-05201	24351-05201	24351-05201	GEAR, 5TH DRIVEN	1		5
23	08211-15251	08211-15251	08211-15251	THRUST WASHER, 1ST DRIVEN R	1		5
24	09263H15C03	09263H15C03	09263H15C03	BEARING, DRIVE SHAFT R	1		5
25	08211-15201	08211-15201	08211-15201	WASHER, DRIVE SHAFT R	1		20

FIG 15

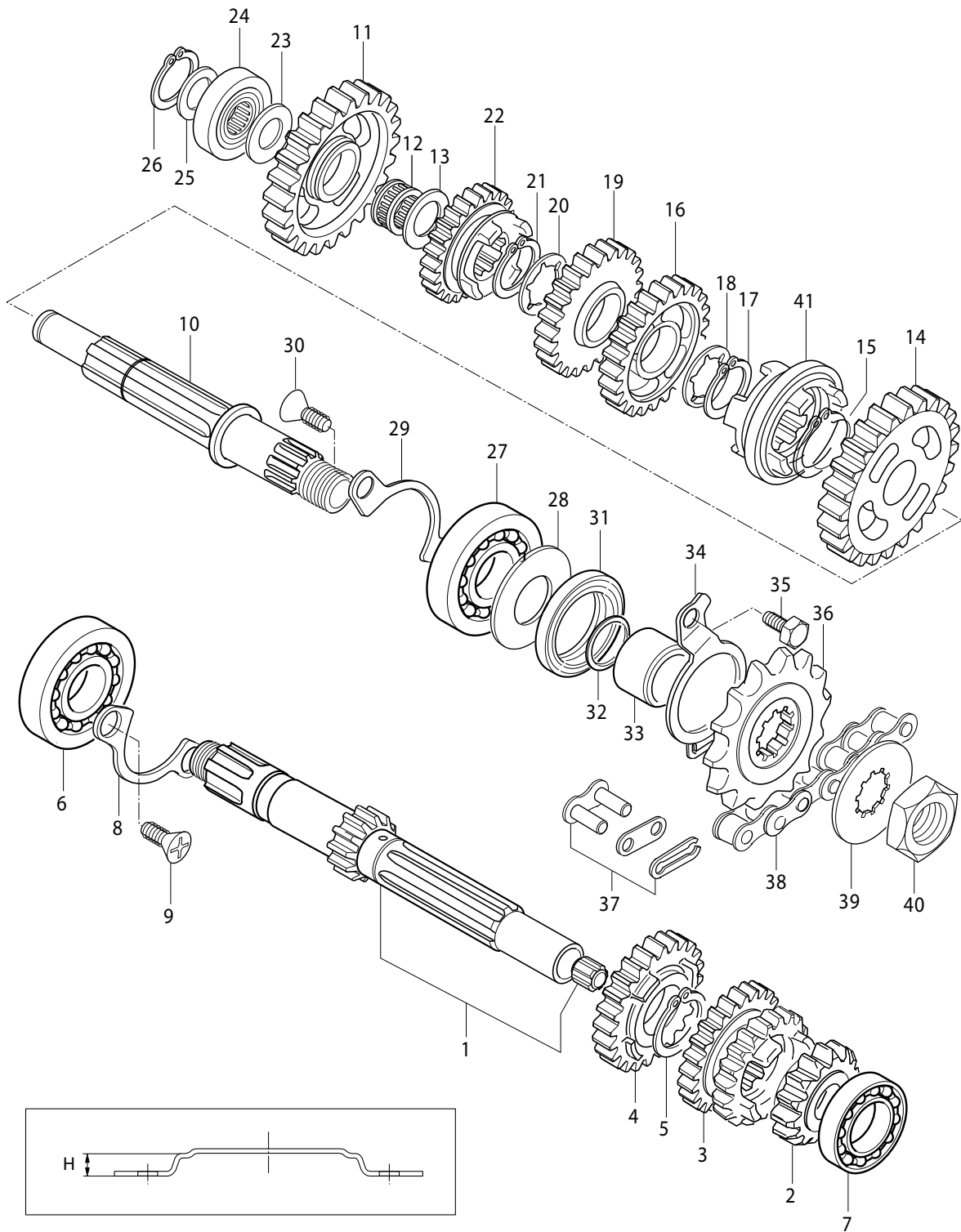


FIG 15. TRANSMISSION

REF. NO.	PARTS NO.			PARTS NAME	Q'TY	REMARKS	REC.Q'TY (PCS)
	SEN01/SSA01	SEU01/SF01/SG01/SS01	7EG01/8EG01				
26	08331-31159	08331-31159	08331-31159	CIRCLIP, DRIVE BEARING R	1		5
27	08113-62040	08113-62040	08113-62040	BEARING, DRIVE SHAFT L	1		5
28	24359-05200	24359-05200	24359-05200	WASHER, OIL SEALING	1		10
29	24741-05200	24741-05200	24741-05200	RETAINER, DRIVE SHAFT	1		10
30	02122-06128	02122-06128	02122-06128	SCREW, DRIVE SHAFT RETAINER	2		10
31	09283-27010	09283-27010	09283-27010	OIL SEAL, DRIVE SHAFT	1		5
32	09280-19005	09280-19005	09280-19005	O-RING, ENGINE SPROCKET	1		10
33	27531-05200	27531-05200	27531-05200	SPACER, ENGINE SPROCKET	1		10
34	24751-05201	24751-05201	24751-05201	RETAINER, DRIVE SHAFT OIL SEAL	1		5
35	01107-06106	01107-06106	01107-06106	BOLT, DRIVE SHAFT OIL SEAL	1		5
36	27510-41721	27510-41721	27510-41721	SPROCKET, ENGINE 13T	1		5
37	27620-29B20	27620-29B20	27620-29B20	JOINT, CHAIN	1		5
38	27600HM5400	27600HM5400	27600HM5400	CHAIN ASS'Y DRIVE(L=128)	1		5
39	09167-20006	09167-20006	09167-20006	LOCK WASHER, ENG SPROCKET	1		5
40	09140-16019	09140-16019	09140-16019	NUT, ENGINE SPROCKET	1		10
41	24421-05300	24421-05300	24421-05300	WHEEL, SLIDING DOG	1		5

FIG 16

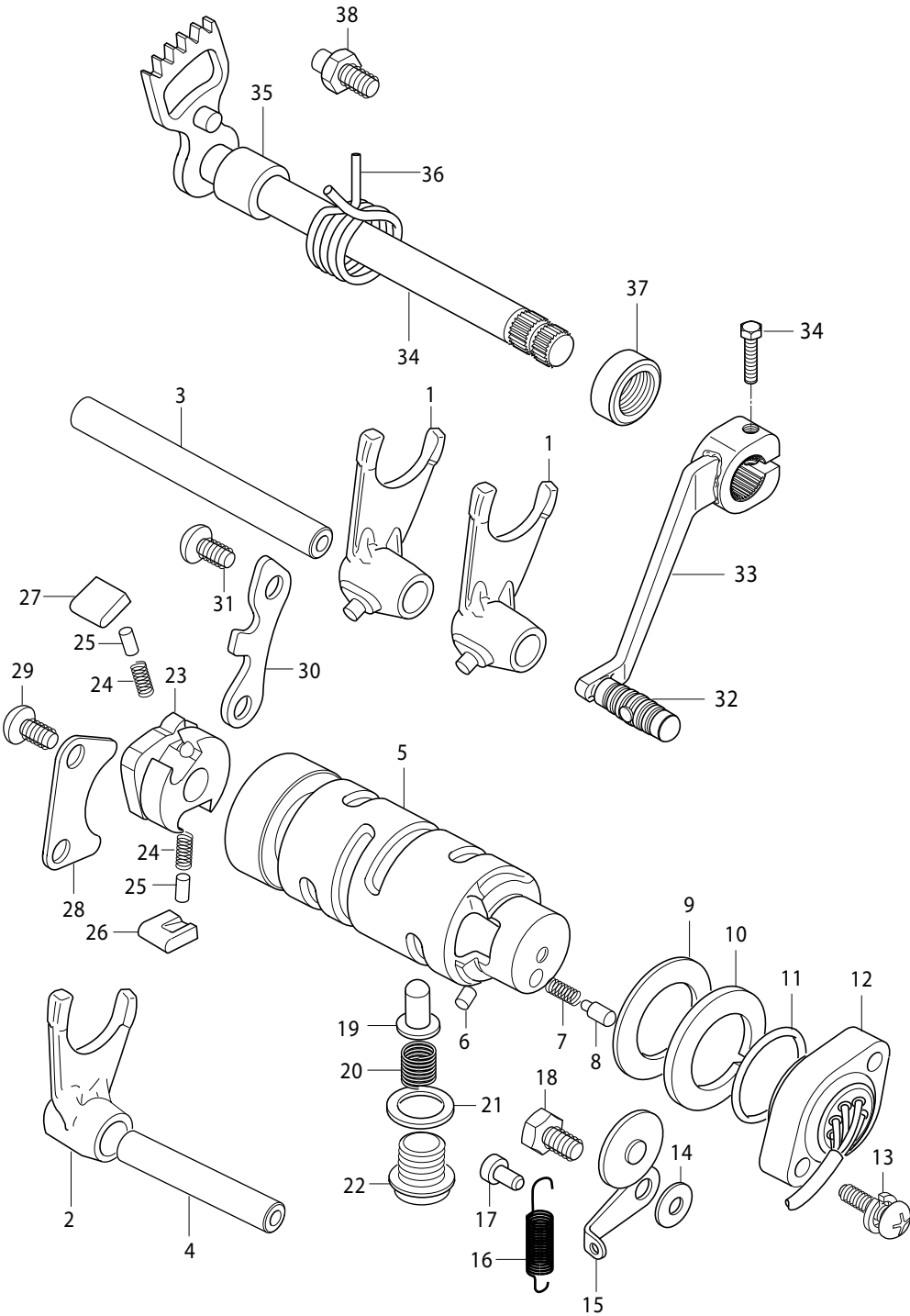


FIG 16. GEAR SHIFTING

REF. NO.	PARTS NO.			PARTS NAME	Q'TY	REMARKS	REC.Q'TY (PCS)
	SEN01/SSA01	SEU01/SF01/SG01/SS01	7EG01/8EG01				
0	25310S05200HPA	25310S05200HPA	25310S05200HPA	GEAR SHIFTING ASS'Y	1		5
1	25211-05200	25211-05200	25211-05200	FORK, GEAR SHIFT No.1	2		5
2	25231-05201	25231-05201	25231-05201	FORK, GEAR SHIFT No.3	1		5
3	25411-05201	25411-05201	25411-05201	SHAFT, GEAR SHIFT FORK No.1	1		
4	25421-35403	25421-35403	25421-35403	SHAFT, GEAR SHIFT FORK No.2	1		
5	25310-05200	25310-05200	25310-05200	CAM COMP, GEAR SHIFT	1		
6	04221-04069	04221-04069	04221-04069	PIN, GEAR SHIFT	1		
7	09440-04010	09440-04010	09440-04010	SPRING, GEAR SHIFT	1		
8	09209-05011	09209-05011	09209-05011	CONTACT, GEAR SHIFT SWITCH	1		
9	08211-25401	08211-25401	08211-25401	WASHER, GEAR SHIFT CAM	1		
10	25381-45400	25381-45400	25381-45400	PLATE, G/SHIFT CAM STOPPER	1		
11	09280-26007	09280-26007	09280-26007	O-RING GEAR SHIFT SWITCH	1		
12	37720HM5402	37720HM5402	37720HM5402	SWITCH ASS'Y GEAR SHIFT	1		
13	02112-95208	02112-95208	02112-95208	SCREW, G/SHIFT SWITCH	2		
14	08211-06141	08211-06141	08211-06141	WASHER, G/SHIFT CAM STOPPER	1		
15	25350-44A00	25350-44A00	25350-44A00	STOPPER COMP, GEAR SHIFT ARM	1		
16	09443-08044	09443-08044	09443-08044	SPRING, G/SHIFT CAM STOPPER ARM	1		
17	09223-04001	09223-04001	09223-04001	HOOK, GEAR SHIFT CAM	1		
18	09111-06019	09111-06019	09111-06019	BOLT, G/SHIFT CAM STOPPER	1		
19	25351-30010	25351-30010	25351-30010	STOPPER COMP, CAM NEUTRAL	1		
20	09440-11016	09440-11016	09440-11016	SPRING, G/SHIFT CAM STOPPER	1		
21	09168-14002	09168-14002	09168-14002	WASHER, G/SHIFT CAM STOPPER PLUG	1		
22	09247-14026	09247-14026	09247-14026	PLUG, G/SHIFT CAM STOPPER	1		
23	25322-31301	25322-31301	25322-31301	GEAR, G/SHIFT CAM DRIVEN	1		
24	09440-04003	09440-04003	09440-04003	SPRING, G/SHIFT PAWL RETURN	2		
25	09261-05003	09261-05003	09261-05003	PIN, GEAR SHIFT PAWL CLICK	2		

FIG 16

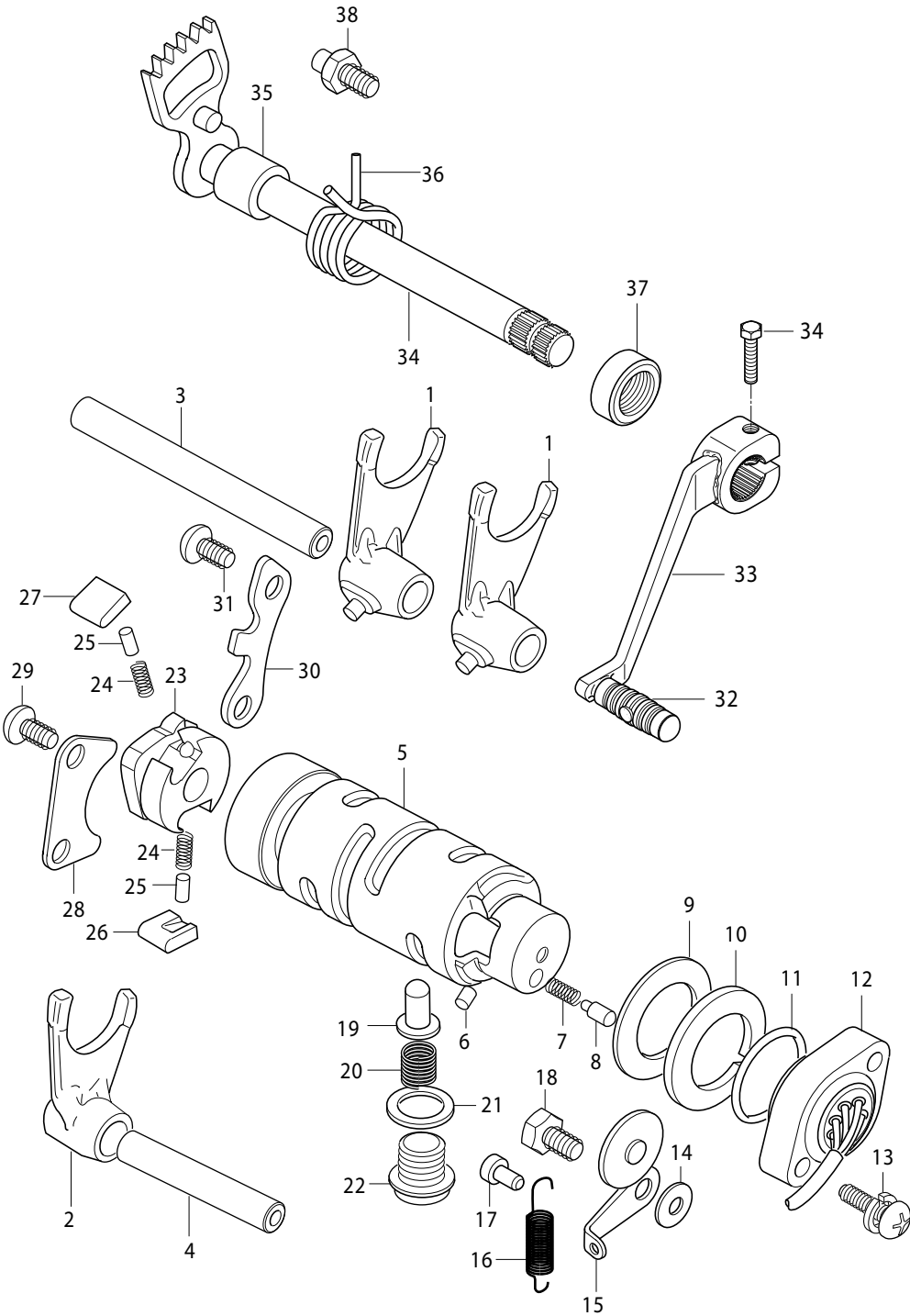


FIG 16. GEAR SHIFTING

REF. NO.	PARTS NO.			PARTS NAME	Q'TY	REMARKS	REC.Q'TY (PCS)
	SEN01/SSA01	SEU01/SF01/SG01/SS01	7EG01/8EG01				
26	25323-34201	25323-34201	25323-34201	PAWL, GEAR SHIFT No.1	1		
27	25324-34201	25324-34201	25324-34201	PAWL, GEAR SHIFT No.2	1		
28	25331-30000	25331-30000	25331-30000	LIFTER, GEAR SHIFT PAWL	1		
29	02122-96128	02122-96128	02122-96128	SCREW, G/SHIFT PAWL LIFTER	2		
30	25341-05200	25341-05200	25341-05200	GUIDE, GEAR SHIFT CAM	1		
31	02122-06128	02122-06128	02122-06128	SCREW, G/SHIFT CAM GUIDE	2		
32	25652HG5800	25652HG5800	25652HG5800	RUBBER, GEAR SHIFT PEDAL	1		
33	25600HG5802	25600HG5802	25600HG5802	LEVER COMP, GEAR SHIFT	1		
34	25510-05400	25510-05400	25510-05400	SHAFT COMP, GEAR SHIFT	1		
35	09180-12068	09180-12068	09180-12068	.SPACER, G/SHIFT SHAFT	1		
36	09444-26013	09444-26013	09444-26013	SPRING, G/SHIFT SHAFT RETURN	1		
37	09285-12002	09285-12002	09285-12002	OIL SEAL, G/SHIFT SHAFT	1		
38	25671-01000	25671-01000	25671-01000	STOPPER, GEAR SHIFT ARM	1		

FIG 17

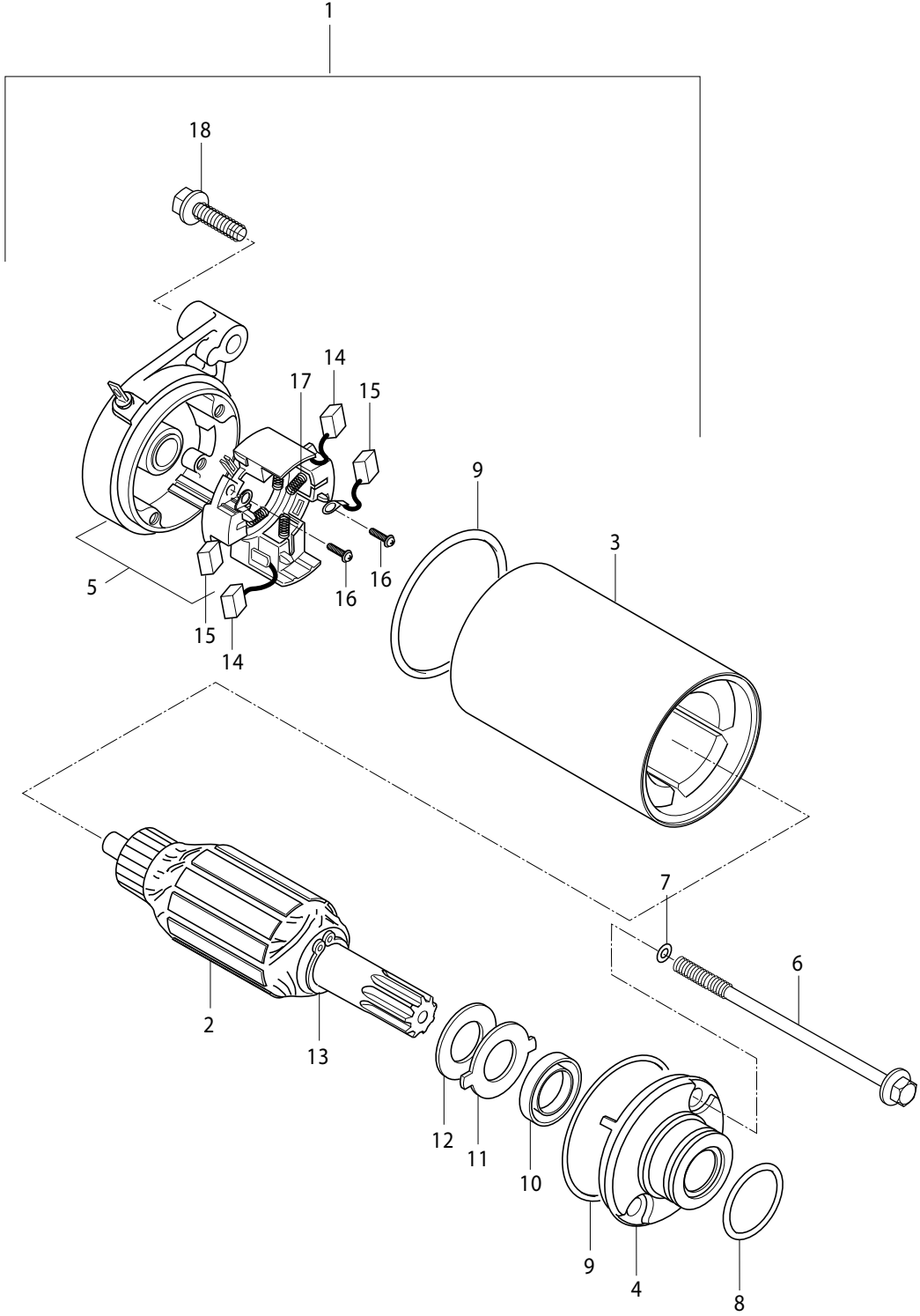


FIG 17. STARTING MOTOR

REF. NO.	PARTS NO.			PARTS NAME	Q`TY	REMARKS	REC.Q'TY (PCS)
	SEN01/SSA01	SEU01/SF01/SG01/SS01	7EG01/8EG01				
1	31100-42A01	31100-42A01	31100-42A01	MOTOR ASS'Y, STARTING	1		5
2	31310-11D10	31310-11D10	31310-11D10	ARMATURE ASS'Y, STARTER	1		
3	31100-05320	31100-05320	31100-05320	YOKE ASS'Y, STARTER	1		
4	31150-42A01	31150-42A01	31150-42A01	HOUSING ASS'Y, STARTER	1		
5	31175-42A01	31175-42A01	31175-42A01	FRAME ASS'Y, COMMUTATOR	1		
6	31281-32C10	31281-32C10	31281-32C10	BOLT, THROUGH	2		
7	31156-38300	31156-38300	31156-38300	O-RING	2		
8	09280-24003	09280-24003	09280-24003	O-RING	1		
9	31264-35C10	31264-35C10	31264-35C10	O-RING	2		
10	31153-49210	31153-49210	31153-49210	SEAL, OIL	1		
11	31361-32C00	31361-32C00	31361-32C00	PLATE, LOCK	1		
12	31361-38300	31361-38300	31361-38300	WASHER, PLATE LOCK	1		
13	31361-10200	31361-10200	31361-10200	RING, SHAFT SNAP	1		
14	31132-32C10	31132-32C10	31132-32C10	BRUSH SUB-ASS'Y, STARTER	2		
15	31131-32C20	31131-32C20	31131-32C20	BRUSH, STARTER	2		
16	31114-32C10	31114-32C10	31114-32C10	SCREW	2		
17	31135-32C10	31135-32C10	31135-32C10	SPRING, COMPRESSION COIL	4		
18	01547-06308	01547-06308	01547-06308	BOLT, STARTING MOTOR	2		10

FIG 18

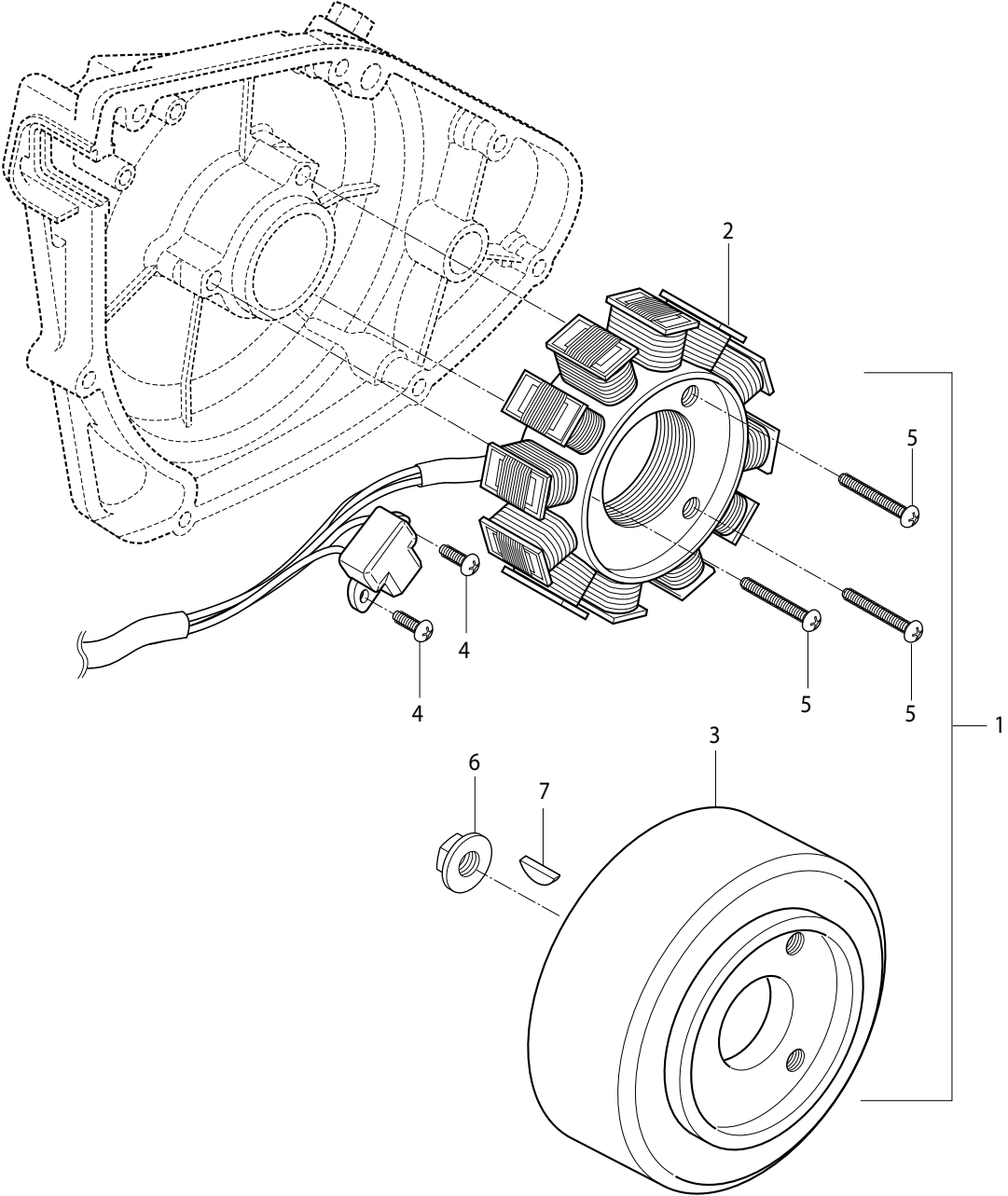


FIG 18. MAGNETO ASS'Y

REF. NO.	PARTS NO.			PARTS NAME	Q`TY	REMARKS	REC.Q'TY (PCS)
	SEN01/SSA01	SEU01/SF01/SG01/SS01	7EG01/8EG01				
1	32100HR7800	32100HR7800	32100HR7800	MAGNETO ASS'Y	1		5
2	32101HM5400	32101HM5400	32101HM5400	STATOR ASS'Y	1		5
3	32102HR7900	32102HR7900	32102HR7900	ROTOR, FLY WHEEL	1		5
4	02112-05128	02112-05128	02112-05128	SCREW	2		10
5	02112-05258	02112-05258	02112-05258	SCREW, STATOR	3		10
6	08316-26108	08316-26108	08316-26108	NUT	1		10
7	08341-31039	08341-31039	08341-31039	KEY	1		10

FIG.19

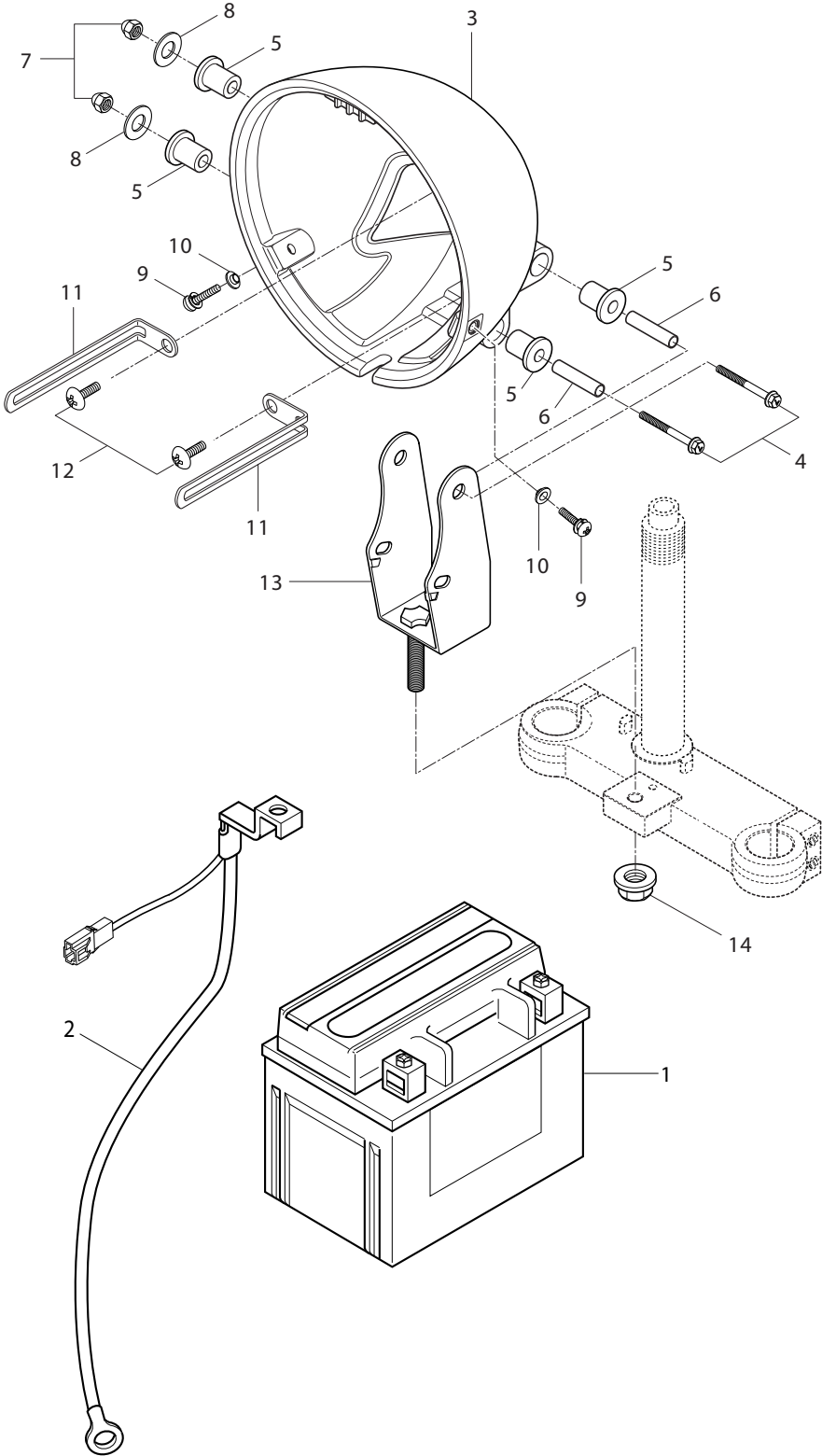


FIG 19. BATTERY

REF. NO.	PARTS NO.			PARTS NAME	Q'TY	REMARKS	REC.Q'TY (PCS)
	SEN01/SSA01	SEU01/SF01/SG01/SS01	7EG01/8EG01				
1	33610-06C11	33610-06C11	33610-06C11	BATTERY (12V, 6AH)	1		20
2	33860HM5400	33860HM5400	33860HM5400	LEAD WIRE, battery(-)	1		20
3	51811HM5400PAM	51811HM5400PAM	51811HM5400PAM	HOUSING, head lamp	1		
4	09103H06013	09103H06013	09103H06013	BOLT, headlamp housing & bracket	2		
5	09320H09017	09320H09017	09320H09017	CUSHION, headlamp housing & brkt	4		
6	09180H06034	09180H06034	09180H06034	SPACER, headlamp housing & brkt	2		
7	08313-11066	08313-11066	08313-11066	NUT, headlamp housing & bracket	2		
8	09160-06057	09160-06057	09160-06057	WASHER, headlamp housing & brkt	2		
9	02112-35168	02112-35168	02112-35168	SCREW, housing & headlamp	2		
10	09169-05008	09169-05008	09169-05008	WASHER, housing & headlamp	2		
11	09404-06405	09404-06405	09404-06405	CLAMP, headlamp housing	2		
12	03241-05106	03241-05106	03241-05106	SCREW, headlamp housing clamp	1		
13	51820HJ8261	51820HJ8261	51820HJ8261	BRACKET COMP, headlamp housing	1		
14	08319-31106	08319-31106	08319-31106	NUT, housing brkt & under bracket	1		

FIG.20

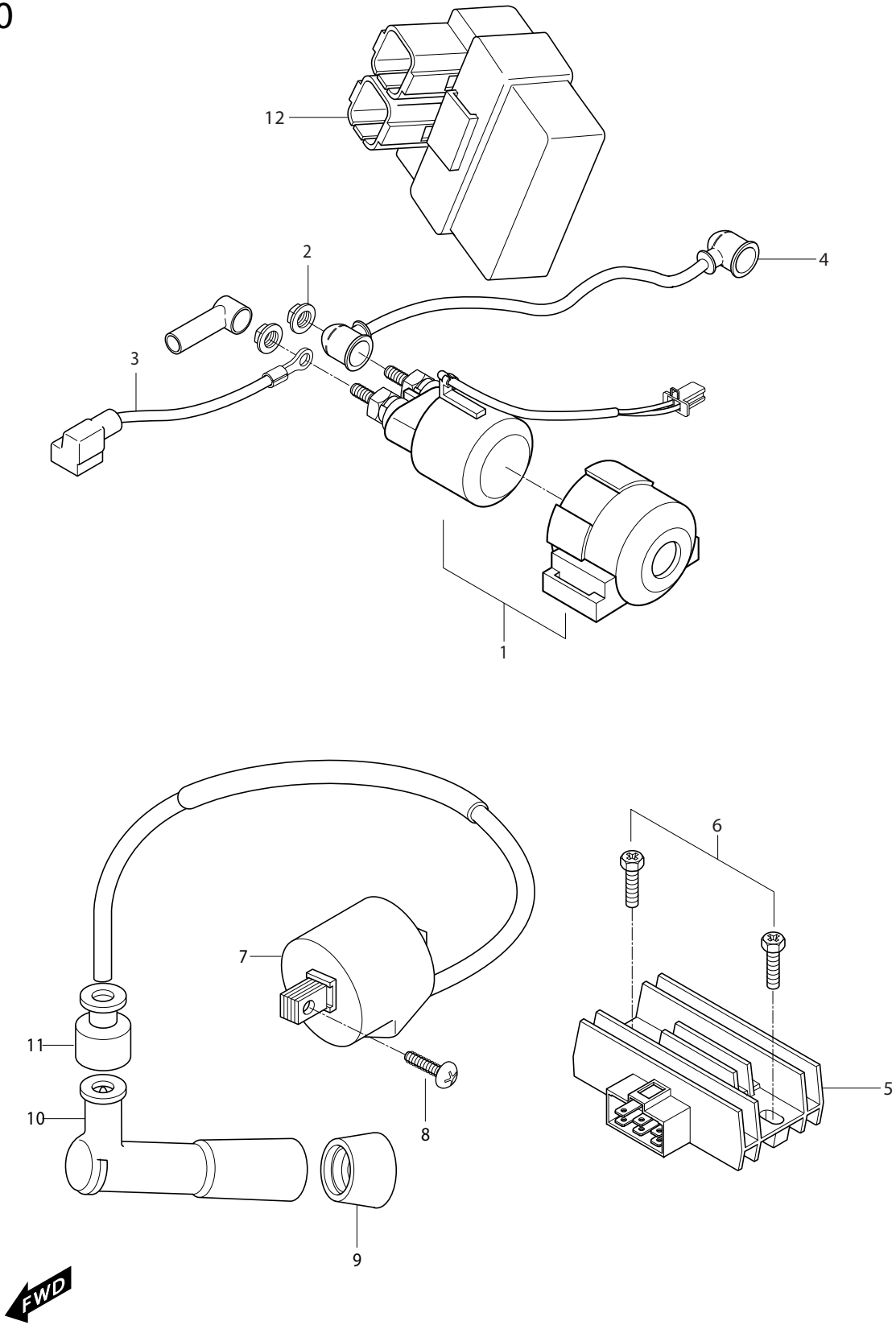


FIG 20. ELECTRICAL

REF. NO.	PARTS NO.			PARTS NAME	Q'TY	REMARKS	REC.Q'TY (PCS)
	SEN01/SSA01	SEU01/SF01/SG01/SS01	7EG01/8EG01				
1	31800HG5100	31800HG5100	31800HG5100	RELAY ASSY, starting motor	1		10
2	08316-26066	08316-26066	08316-26066	NUT, starting relay	2		
3	33840HM5401	33840HM5401	33840HM5401	LEAD WIRE, battery pius	1		
4	33850HM5401	33850HM5401	33850HM5401	LEAD WIRE, starting motor	1		
5	32800H01413	32800H01413	32800H01413	RECTIFIER ASSY, regulator	1		5
6	09128-06035	09128-06035	09128-06035	SCREW, rectifier(M6x20)	2		
7	33410HG5800	33410HG5800	33410HG5800	COIL ASSY, ignition	1		5
8	09128-06035	09128-06035	09128-06035	BOLT, ignition(M6x20)	2		
9	33541-23501	33541-23501	33541-23501	SEAL, spark plug	1		
10	33510-05C01	33510-05C01	33510-05C01	CAP, spark plug	1		5
11	33542-24D00	33542-24D00	33542-24D00	SEAL, hightension cord	1		
12	32900HR7850	32900HR7850	32900HR7800	C.D.I UNIT	1		5

FIG.21

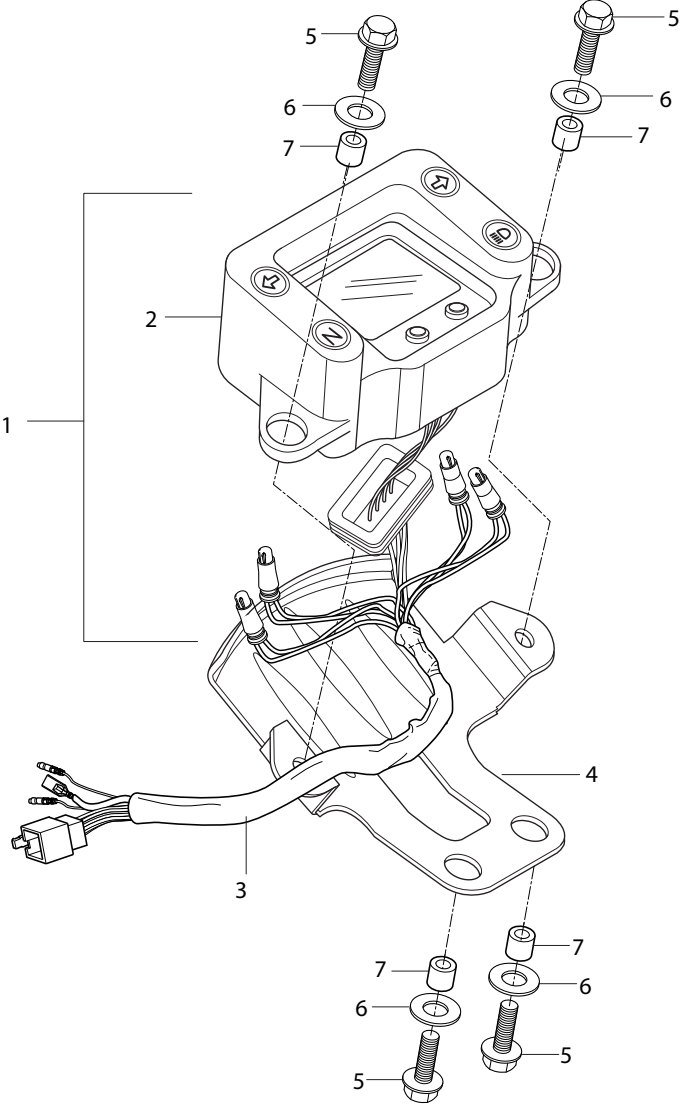


FIG 21. SPEEDOMETER ASS`Y

REF. NO.	PARTS NO.			PARTS NAME	Q`TY	REMARKS	REC.Q`TY (PCS)
	SEN01/SSA01	SEU01/SF01/SG01/SS01	7EG01/8EG01				
1	34100HS78A0	34100HR7800	34100HR7800	SPEEDOMETER ASSY	1		5
2	34950HR7800	34950HR7800	34950HR7800	BRACKET, speedometer	1		3
3	09320-08048	09320-08048	09320-08048	CUSHION, speedometer bracket	2		
4	09320H12090	09320H12090	09320H12090	CUSHION, speedometer	2		
5	09180-06114	09180-06114	09180-06114	SPACER, speedometer bracket	2		
6	09180H06175	09180H06175	09180H06175	SPACER, speedometer	2		
7	09116-06010	09116-06010	09116-06010	BOLT, speedometer	4		
8	34860HR7800	34860HR7800	34860HR7800	SENSOR ASS`Y, speedometer	1		8

FIG 22. HEAD LAMP ASS`Y

REF. NO.	PARTS NO.			PARTS NAME	Q`TY	REMARKS	REC.Q'TY (PCS)
	SEN01/SSA01	SEU01/SF01/SG01/SS01	7EG01/8EG01				
1	35100HG5160	35100HG5150	35100HG5160	HEAD LAMP ASS`Y	1		5
2	35120HG5100	35120HG5100	35120HG5100	REFLECTOR, headlamp	1		5
3	35111HG5100	35111HG5100	35111HG5100	RIM, headlamp	1		20
4	35173H93B00	35173H93B00	35173H93B00	DUST COVER	1		20
5	09471-12101	09471-12101	09471-12101	BULB, head lamp(12v 35/35w)	1		20
6	35175H93B00	35175H93B00	35175H93B00	SPRING, bulb socket	1	NOT SALE	
7	35151HG5800	35151HG5800	35151HG5800	SCREW, aiming	2		
8	35154-48510	35154-48510	35154-48510	SPRING, aiming	2		
9	35128H93B00	35128H93B00	35128H93B00	WASHER, aiming	2	NOT SALE	
10	35152-48510	35152-48510	35152-48510	AIMMING, grommet	2		
11	35135-12610	35135-12610	35135-12610	SPACER, aiming nut	1		
12	02112-05088	02112-05088	02112-05088	SCREW, aiming	2		
13	35136HG5800	35136HG5800	35136HG5800	WASHER, aiming	2	NOT SALE	

FIG.23

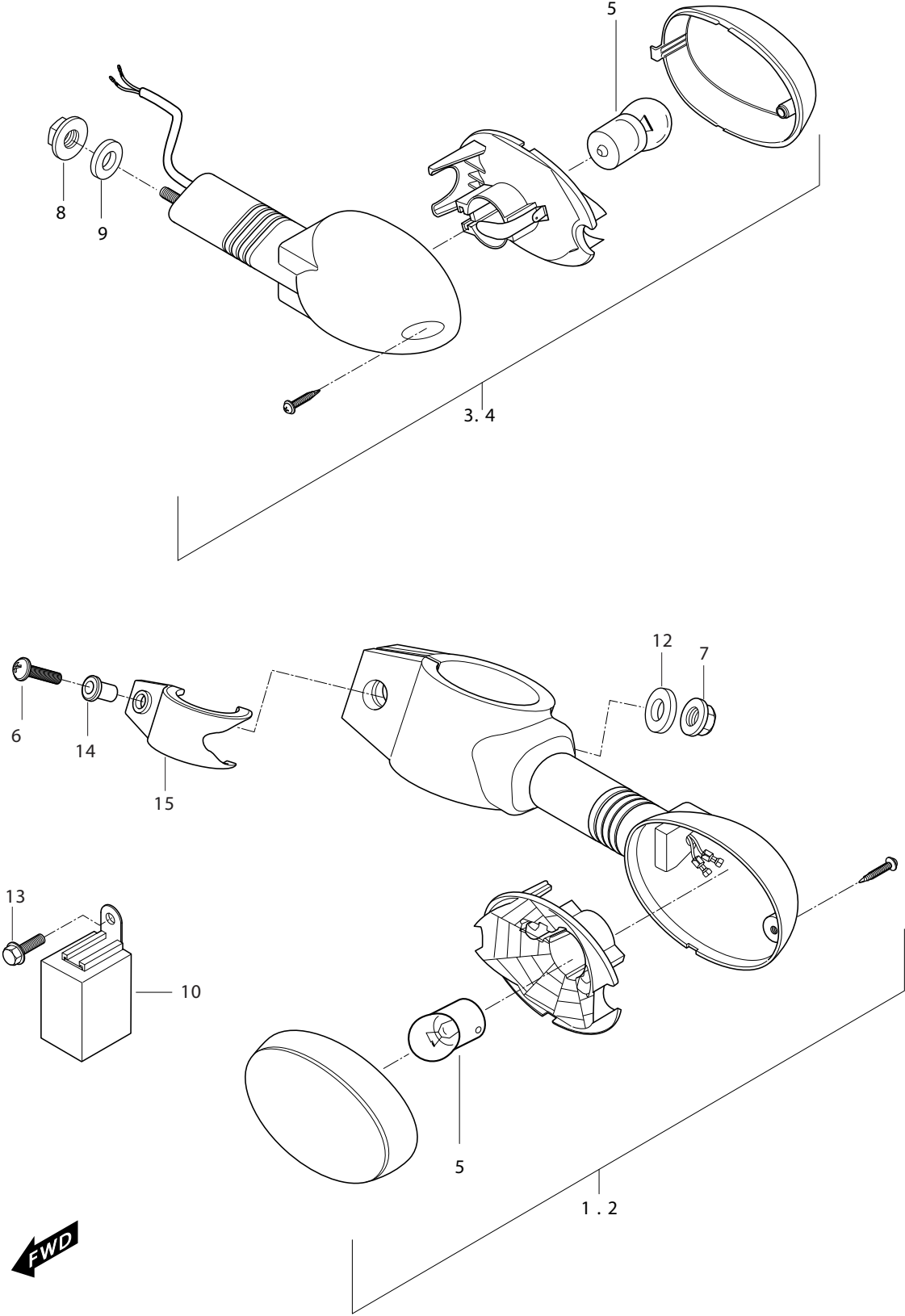


FIG 23. TURN SIGNAL LAMP

REF. NO.	SEN01/SSA01	PARTS NO. SEU01/SF01/SG01/SS01	7EG01/8EG01	PARTS NAME	Q'TY	REMARKS	REC.Q'TY (PCS)
1	35601HR7800	35601HR7800	35601HR7800	LAMP, Ft turn signal R	1		5
2	35602HR7800	35602HR7800	35602HR7800	LAMP, Ft turn signal L	1		5
3	35603HR8600	35603HR8600	35603HR8600	LAMP, Rr turn signal R	1		5
4	35604HR8600	35604HR8600	35604HR8600	LAMP, Rr turn signal L	1		5
5	09471H12112	09471H12112	09471H12112	BULB, Ft/Rr turn signal lamp R, L	4		30
6	02152-06258	02152-06258	02152-06258	SCREW, front turn signal lamp & cover	2		
7	08316-26066	08316-26066	08316-26066	NUT, front turn signal lamp	2		
8	08316-26066	08316-26066	08316-26066	NUT, rear turn signal	2		
9	09160-06019	09160-06019	09160-06019	WASHER, rear turn signal	2		
10	38610HL7300	38610HL7300	38610HL7300	RELAY ASSY, turn signal	1		5
11	35625-01A00	35625-01A00	35625-01A00	TAPPING SCREW	4		
12	09169-06019	09169-06019	09169-06019	WASHER, front turn signal lamp	2		5
13	01517-06166	01517-06166	01517-06166	BOLT, hazard relay	1	NOT SALE	
14	09169H06016	09169H06016	09169H06016	WASHER, turn signal lamp & cover	2		
15	51721HM5400PAM	51721HM5400PAM	51721HM5400PAM	COVER, front turn signal lamp	2		5

FIG.24

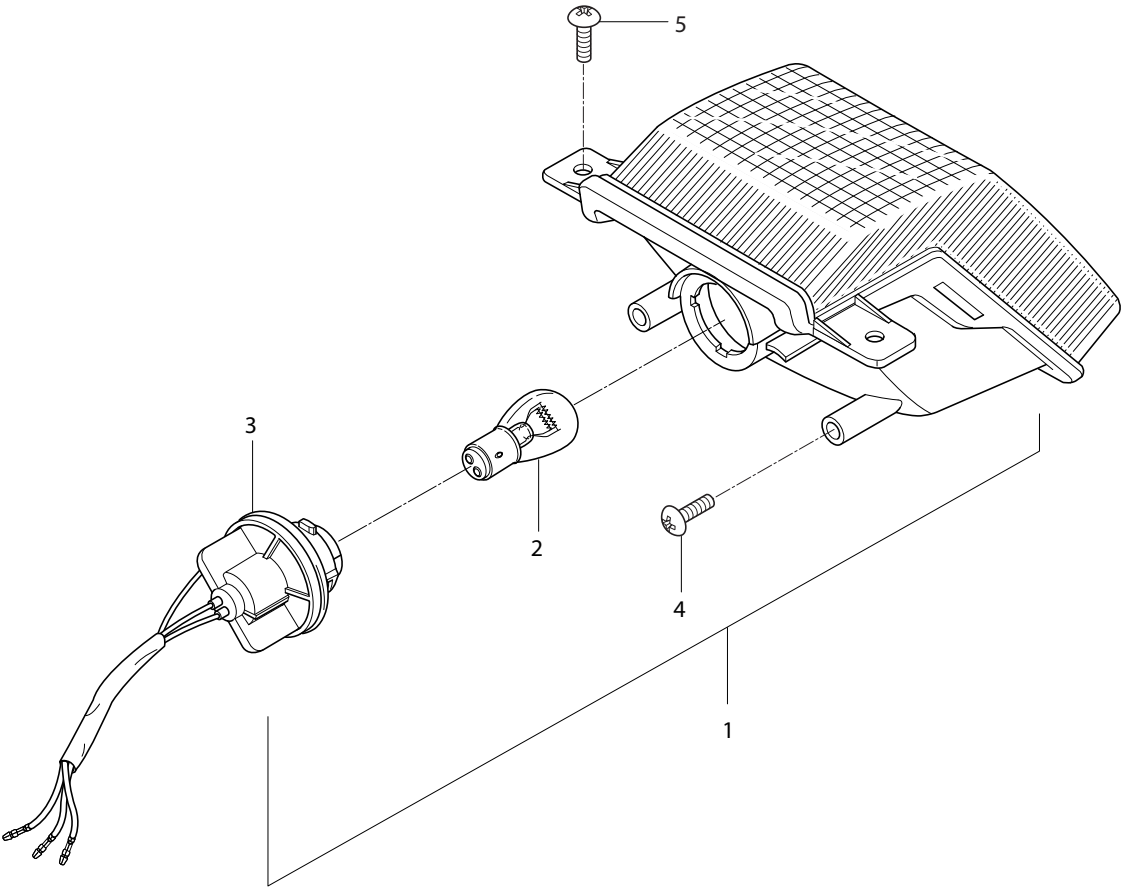


FIG 24. TAIL & STOP LAMP

REF. NO.	PARTS NO.			PARTS NAME	Q`TY	REMARKS	REC.Q'TY (PCS)
	SEN01/SSA01	SEU01/SF01/SG01/SS01	7EG01/8EG01				
1	35710HM5450	35710HM5450	35710HM5450	LAMP ASSY, tail & stop	1		5
2	09471-12046	09471-12046	09471-12046	BULB, tail & stop lamp(12V P21/5W)	1		20
3	35760HM5450	35760HM5450	35760HM5450	SOCKET ASSY, tail & stop	1		
4	03241-05206	03241-05206	03241-05206	SCREW, rear fender & rear combi lo	2		10
5	02142-06165	02142-06165	02142-06165	SCREW, rear fender & rear combi up	2		10

FIG.25

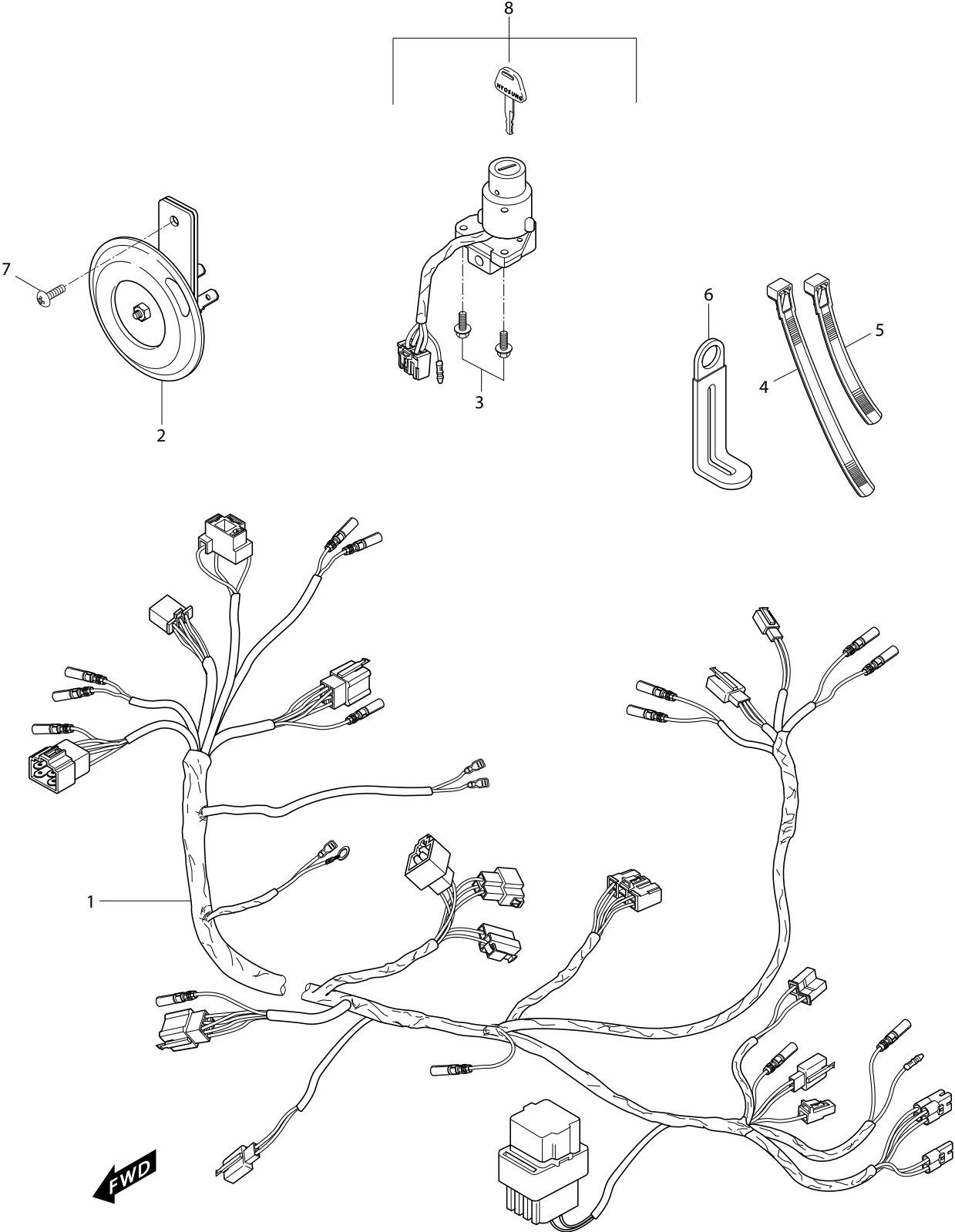


FIG 25. WIRING HARNESS & HORN

REF. NO.	PARTS NO.			PARTS NAME	Q`TY	REMARKS	REC.Q'TY (PCS)
	SEN01/SSA01	SEU01/SF01/SG01/SS01	7EG01/8EG01				
1	36610HS78A0	36610HR7850	36610H77890	WIRING HARNESS	1		5
2	38500HG5850	38500HG5850	38500HG5850	HORN ASSY	1		5
3	01517-06166	01517-06166	01517-06166	BOLT, steering lock	2		10
4	09407-14403	09407-14403	09407-14403	CLAMP, wiring harness	6		
5	09407-14408	09407-14408	09407-14408	CLAMP, wiring harness	4		
6	09404-06405	09404-06405	09404-06405	CLAMP, wiring harness	2		
7	02112-36128	02112-36128	02112-36128	BOLT, horn	2		
8	37100HG5170	37100H93B30	37100HG5170	LOCK ASSY, steering	1		5

FIG.26

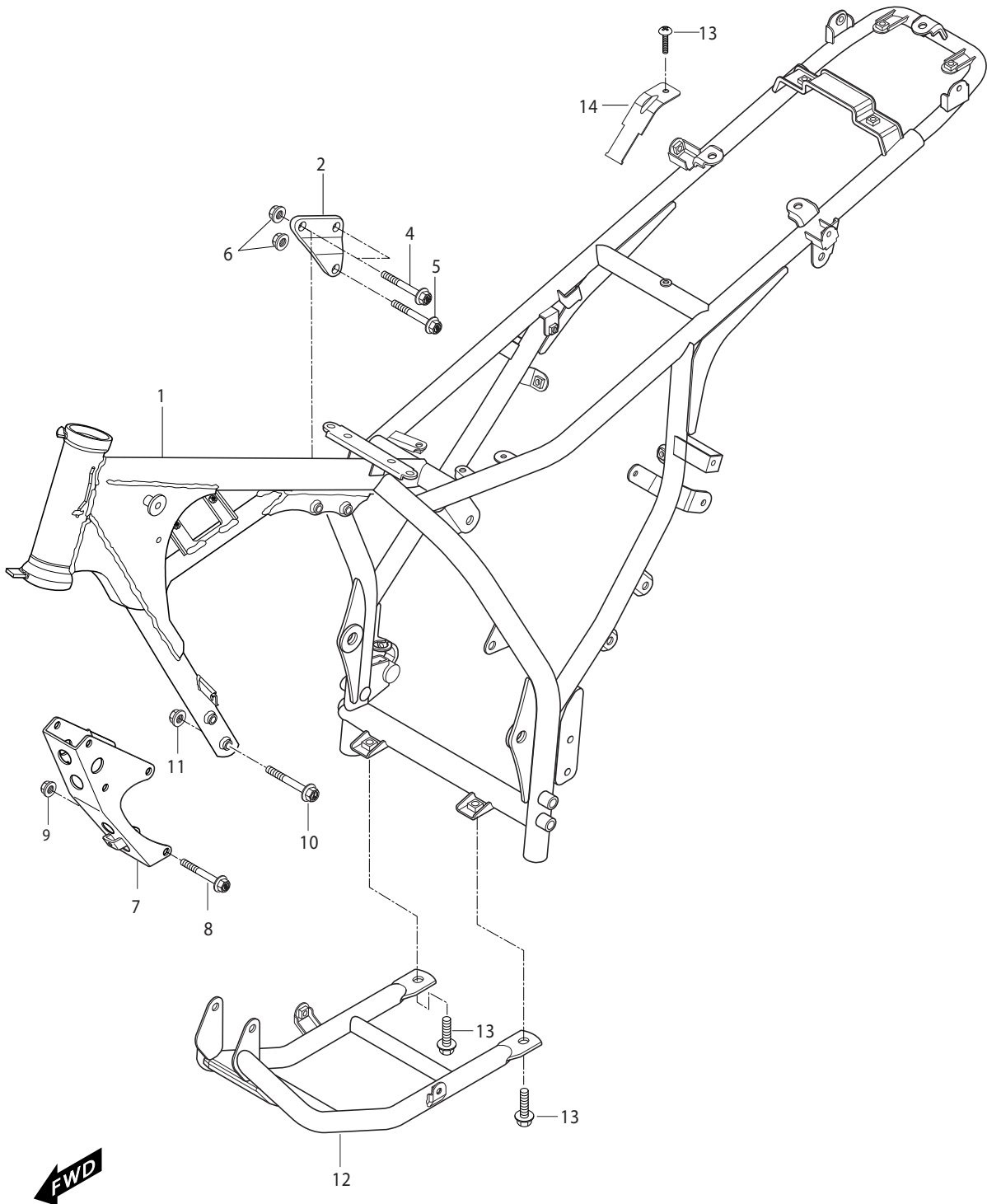


FIG 26. FRAME

REF. NO.	PARTS NO.			PARTS NAME	Q'TY	REMARKS	REC.Q'TY (PCS)
	SEN01/SSA01	SEU01/SF01/SG01/SS01	7EG01/8EG01				
1	41100HR7800PAM	41100HR7800PAM	41100HR7800PAM	FRAME COMP	1		2
2	41993HR7900120	41993HR7900120	41993HR7900120	PLATE, engine mtg upper RH	1		5
3	02142-06126	02142-06126	02142-06126	SCREW, C. D. I unit	1		5
4	01517-08608	01517-08608	01517-08608	BOLT, e/g mtg upper plate & frame	2		10
5	01517-08508	01517-08508	01517-08508	BOLT, e/g mtg upper plate & engine	1		
6	08319-31088	08319-31088	08319-31088	NUT, engine mtg upper plate	3		
7	41990HG5801PAM	41990HG5801PAM	41990HG5801PAM	BRACKET COMP, engine mounting lower	1		5
8	09103H10149	09103H10149	09103H10149	BOLT, e/g mtg low brkt & engine	2		
9	08319-31108	08319-31108	08319-31108	NUT, e/g mtg low brkt & engine	2		
10	01517-08658	01517-08658	01517-08658	BOLT, e/g mtg low brkt & frame No.1	2		
11	08319-31088	08319-31088	08319-31088	NUT, e/g mtg low brkt & frame	2		
12	41140HG5803PAM	41140HG5803PAM	41140HG5803PAM	TUBE COMP, down	1		5
13	01517-08168	01517-08168	01517-08168	BOLT, under guard pipe brkt	2		
14	63116HM5400	63116HM5400	63116HM5400	PLATE, C. D. I	1		

FIG.27

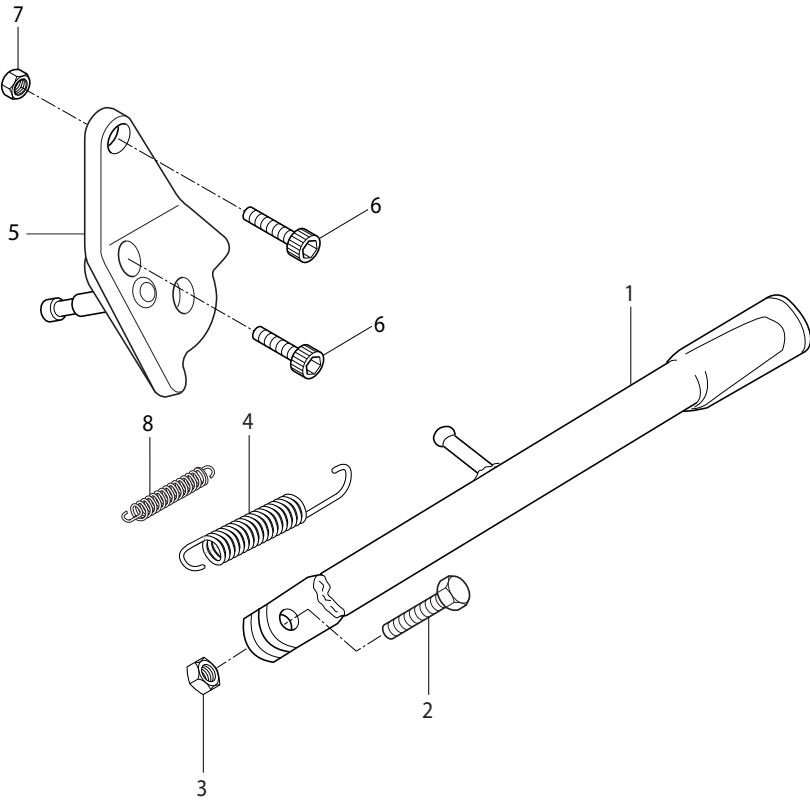
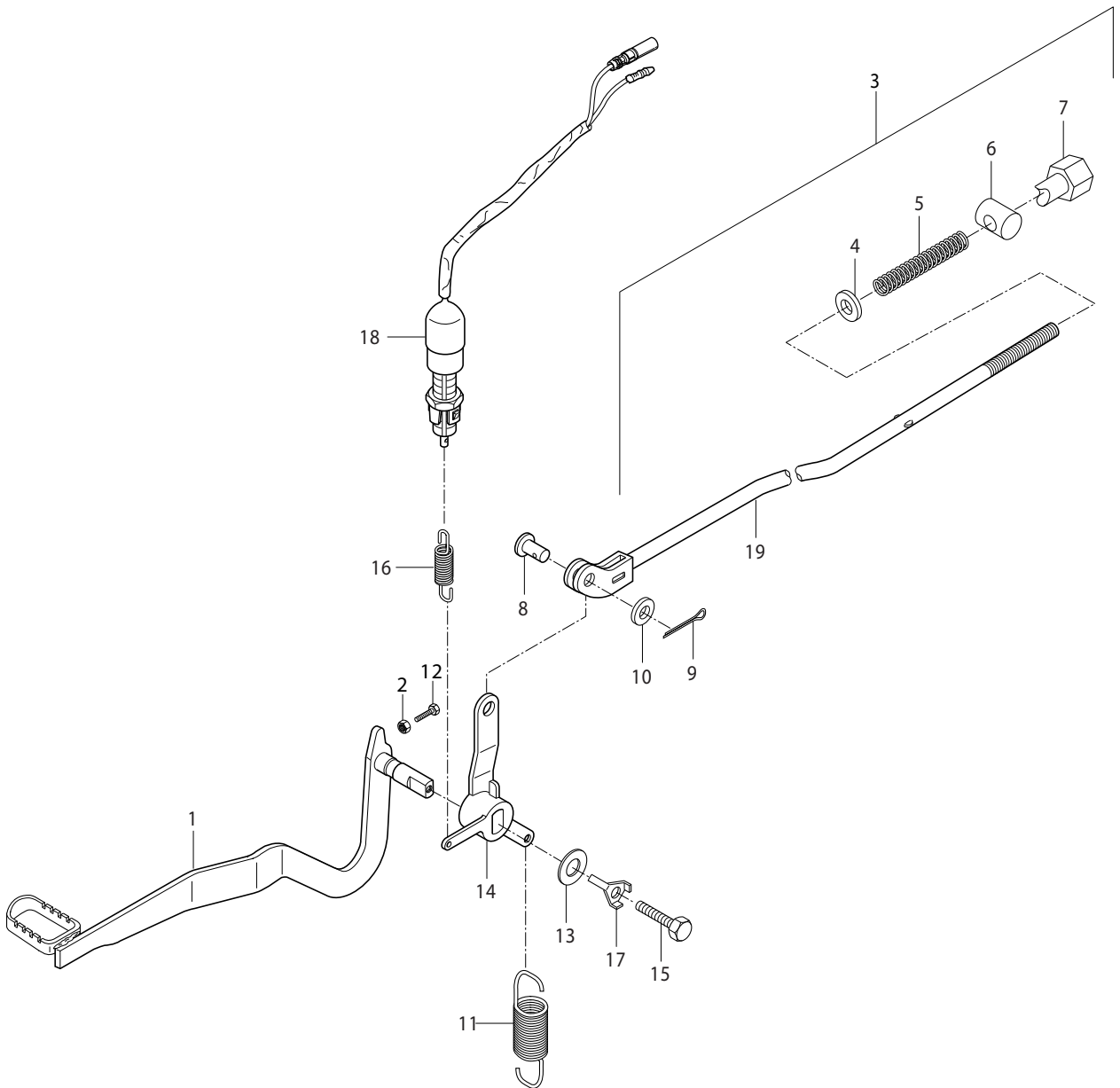


FIG 27. PROP STAND

REF. NO.	PARTS NO.			PARTS NAME	Q`TY	REMARKS	REC.Q'TY (PCS)
	SEN01/SSA01	SEU01/SF01/SG01/SS01	7EG01/8EG01				
1	42310HM5450120	42310HM5450120	42310HM5450120	STAND COMP, prop	1		5
2	09100-10031	09100-10031	09100-10031	BOLT, prop stand	1		
3	08310-11107	08310-11107	08310-11107	NUT, prop stand	1		
4	09443H14037	09443H14037	09443H14037	SPRING, prop stand outer	1		
5	42340HG5851PAM	42340HG5851PAM	42340HG5801PAM	BRACKET COMP, prop atand	1		5
6	07110-08258	07110-08258	07110-08258	BOLT, prop stand & brkt	2		
7	08319-31088	08319-31088	08319-31088	NUT, prop stand & brkt bolt upper	2		
8	09443-06001	09443-06001	09443-06001	SPRING, prop stand inner	1		10

FIG.28

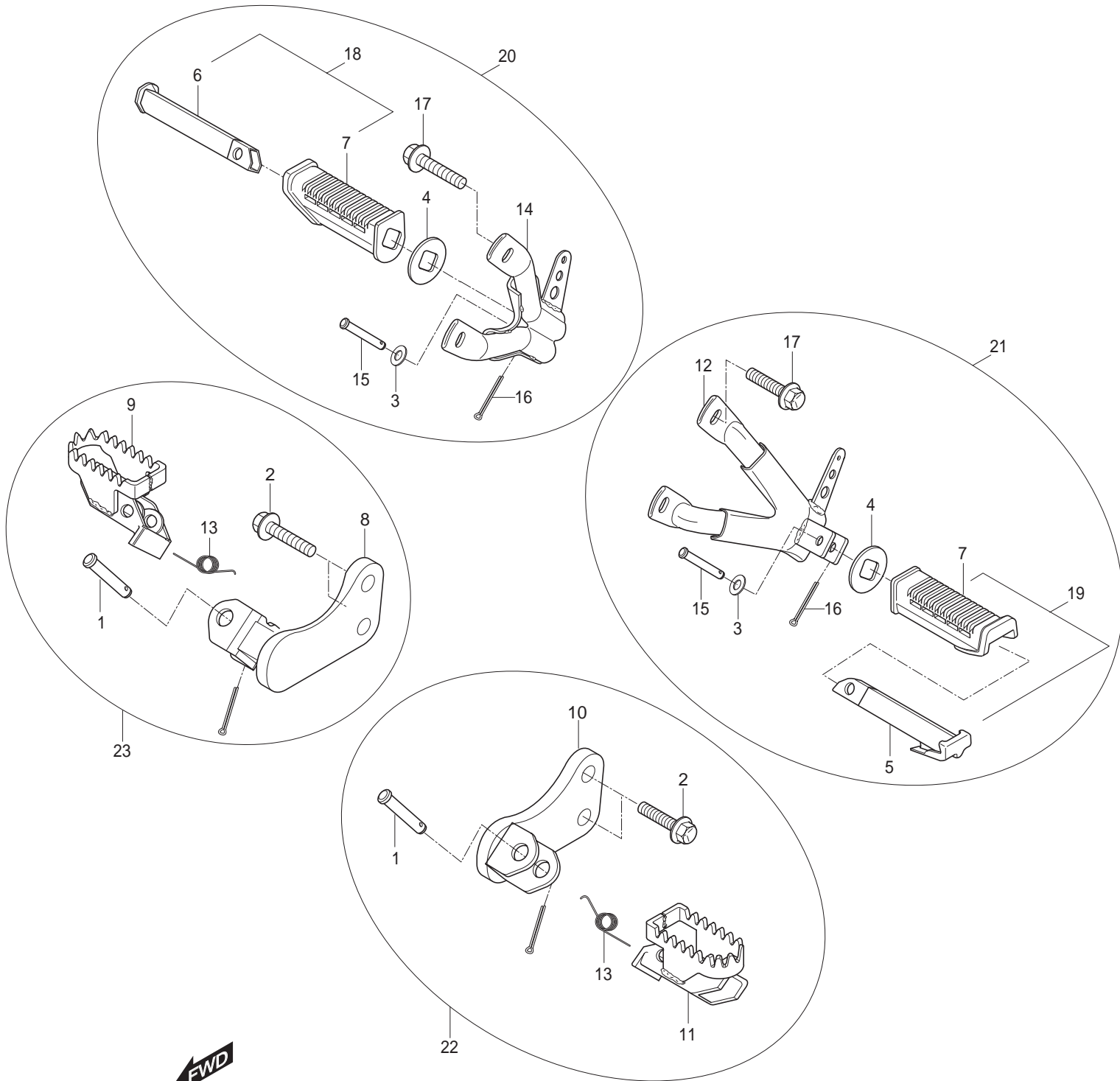


FWD

FIG 28. REAR BRAKE

REF. NO.	SEN01/SSA01	PARTS NO. SEU01/SF01/SG01/SS01	7EG01/8EG01	PARTS NAME	Q'TY	REMARKS	REC.Q'TY (PCS)
1	43100HM5401120	43100HM5401120	43100HM5401120	PEDAL ASS'Y, brake	1		5
2	08310-11068	08310-11068	08310-11068	NUT, brake pedal	1		
3	43300HM5401	43300HM5401	43300HM5401	ROD ASSY, rear brake	1		5
4	08322-21068	08322-21068	08322-21068	WASHER, R/R brake rod R/R	1		
5	09440-09013	09440-09013	09440-09013	SPRING, R/R brake rod R/R	1		
6	09209-11006	09209-11006	09209-11006	PIN, R/R brake rod R/R	1		
7	09150-06009	09150-06009	09150-06009	NUT, R/R brake rod R/R	1		
8	09200-06013	09200-06013	09200-06013	PIN, R/R brake rod front	1		
9	04111-20208	04111-20208	04111-20208	COTTER PIN, R/R brake rod	1		
10	08322-21068	08322-21068	08322-21068	WASHER, R/R brake FT	1		
11	09443H14025	09443H14025	09443H14025	SPRING, R/R brake return	1		5
12	01104-06208	01104-06208	01104-06208	BOLT, brake pedal	1		
13	09160-06012	09160-06012	09160-06012	WASHER, brake pedal	1		
14	43123HG5802	43123HG5802	43123HG5802	ARM, brake rod	1		5
15	01107-06168	01107-06168	01107-06168	BOLT, brake pedal	1		
16	09443H06006	09443H06006	09443H06006	SPRING, stop lamp switch	1		5
17	43129-35C00	43129-35C00	43129-35C00	WASHER, lock	1		
18	37740H93B00	37740H93B00	37740H93B00	SWITCH ASSY, rear stop	1		5
19	43310HM5401	43310HM5401	43310HM5401	ROD COMP, rear brake	1		

FIG 29



FWD

FIG 29. FOOTREST BAR

REF. NO.	PARTS NO.			PARTS NAME	Q'TY	REMARKS	REC.Q'TY (PCS)
	SEN01/SSA01	SEU01/SF01/SG01/SS01	7EG01/8EG01				
1	09200-10008	09200-10008	09200-10008	PIN, front footrest	2		20
2	09116H10061	09116H10061	09116H10061	BOLT, front footrest bracket	4		
3	08322-21068	08322-21068	08322-21068	WASHER, pillion footrest pin	2		
4	43631-34A00	43631-34A00	43631-34A00	WASHER, pillion footrest rubber	2		20
5	43710-12B01	43710-12B01	43710-12B01	BAR COMP, pillion footrest L	1		5
6	43610-12B01	43610-12B01	43610-12B01	BAR COMP, pillion footrest R	1		5
7	43551-29B21	43551-29B21	43551-29B21	RUBBER, pillion footrest	2		
8	43510HM5402120	43510HM5402120	43510HM5402120	BAR COMP, front footrest R	1		
9	43550-08B10	43550-08B10	43550-08B10	FOOTREST COMP, front R	1		5
10	43520HM5401120	43520HM5401120	43520HM5401120	BAR COMP, front footrest L	1		
11	43560-08B10	43560-08B10	43560-08B10	FOOTREST COMP, front L	1		5
12	43750HG5800PAM	43750HG5800PAM	43750HG5800PAM	BRACKET COMP, pillion footrest L	1		
13	09448H16001	09448H16001	09448H16001	SPRING, front footrest	2		
14	43650HG5800PAM	43650HG5800PAM	43650HG5800PAM	BRACKET COMP, pillion footrest R	1		
15	09200H06057	09200H06057	09200H06057	PIN, pillion footrest	2		
16	04111-20208	04111-20208	04111-20208	COTTER PIN, pillion footrest	2		
17	01517-08168	01517-08168	01517-08168	BOLT, pillion footrest bracket	4		
18	43600HG5800	43600HG5800	43600HG5800	FOOTREST ASS`Y, pillion R	1		
19	43700HG5800	43700HG5800	43700HG5800	FOOTREST ASS`Y, pillion L	1		
20	43650HM5400HPA	43650HM5400HPA	43650HM5400HPA	BRACKET PILLION R, ASS`Y	1		5
21	43750HM5400HPA	43750HM5400HPA	43750HM5400HPA	BRACKET PILLION L, ASS`Y	1		5
22	43520HM5400HPA	43520HM5400HPA	43520HM5400HPA	BAR FOOTREST L, ASS`Y	1		5
23	43510HM5400HPA	43510HM5400HPA	43510HM5400HPA	BAR FOOTREST R, ASS`Y	1		5

FIG.30

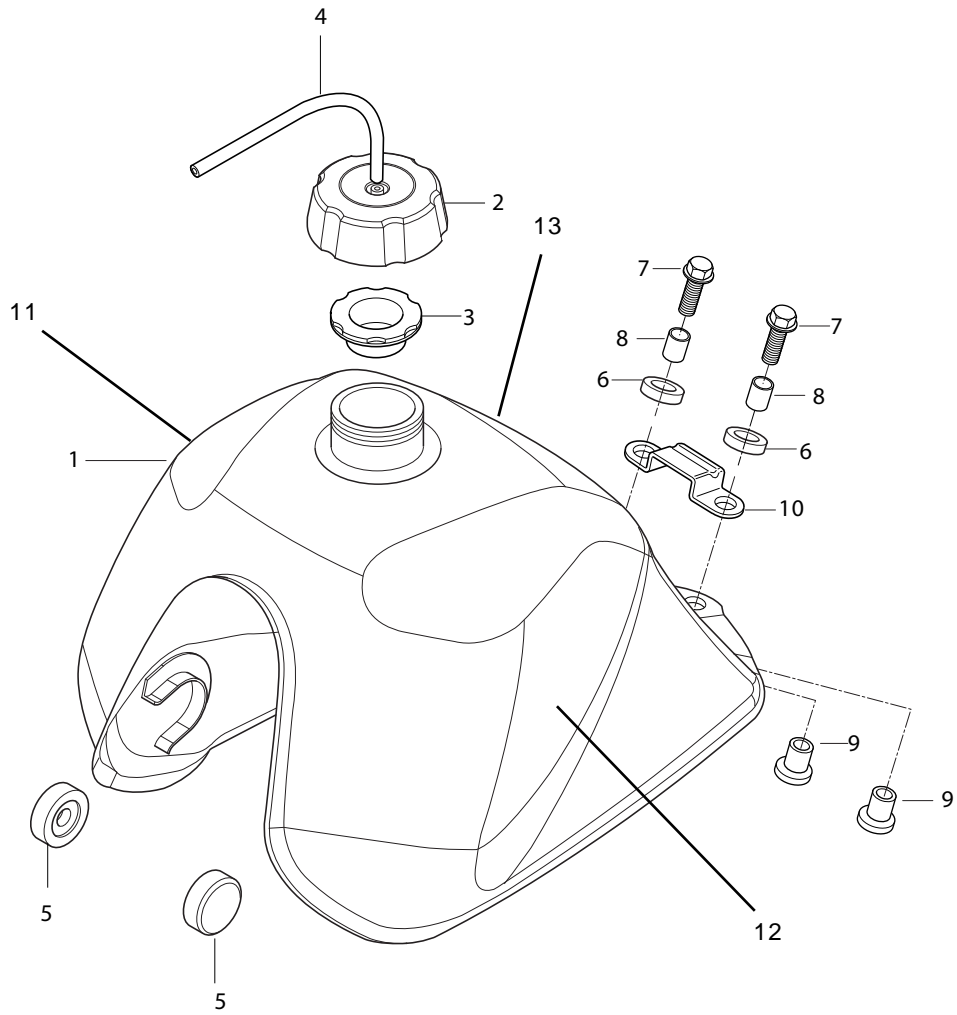


FIG 30. FUEL TANK

REF. NO.	PARTS NO.			PARTS NAME	Q'TY	REMARKS	REC.Q'TY (PCS)
	SEN01/SSA01	SEU01/SF01/SG01/SS01	7EG01/8EG01				
1	44110HM5401CLO	44110HM5401CLO	44110HM5401CLO	TANK COMP, fuel (ORANGE) CLO	1		3
	44110HM5401CVB	44110HM5401CVB	44110HM5401CVB	TANK COMP, fuel (BLUE) CVB	1		3
	44110HM5401CBK	44110HM5401CBK	44110HM5401CBK	TANK COMP, fuel (BLACK) CBK	1	COLOR 2009	3
	44110HM5401CWP	44110HM5401CWP	44110HM5401CWP	TANK COMP, fuel (WHITE) CWP	1	COLOR 2009	3
2	44210HG5801	44210HG5801	44210HG5801	CAP, fuel tank filter	1		3
3	44248-05210	44248-05210	44248-05210	GASKET, fuel tank filter cap	1		3
4	09343-05052	09343-05052	09343-05052	HOSE, fuel tank brth L=580	1		3
5	09329-10007	09329-10007	09329-10007	CUSHION, fuel tank front	2		3
6	09320-14013	09320-14013	09320-14013	CUSHION, fuel tank RR	2		3
7	09116H06084	09116H06084	09116H06084	BOLT, fuel tank RR	2		6
8	09180-06162	09180-06162	09180-06162	SPACER, fuel tank RR cushion	2		6
9	09320-10020	09320-10020	09320-10020	CUSHION, fuel tank RR up	2		
10	45119HM5400	45119HM5400	45119HM5400	PLATE, seat ft hook	1		
11	68114HR78000DO	68114HR78000DO	68114HR78000DO	TAPE, fuel tank(KARION) CLO R	1	ORANGE	5
	68114HR78000D1	68114HR78000D1	68114HR78000D1	TAPE, fuel tank(KARION) CVB R	1	BLUE	5
	68114HR7820A1M	68114HR7820A1M	68114HR7820A1M	TAPE, fuel tank CBK R	1	BLACK(2009)	5
	68114HR7820A1N	68114HR7820A1N	68114HR7820A1N	TAPE, fuel tank CWP R	1	WHITE(2009)	5
12	68116HR78000DO	68116HR78000DO	68116HR78000DO	TAPE, fuel tank(KARION) CLO L	1	ORANGE	5
	68116HR78000D1	68116HR78000D1	68116HR78000D1	TAPE, fuel tank(KARION) CVB L	1	BLUE	5
	68116HR7820A1M	68116HR7820A1M	68116HR7820A1M	TAPE, fuel tank CBK L	1	BLACK(2009)	5
	68116HR7820A1N	68116HR7820A1N	68116HR7820A1N	TAPE, fuel tank CWP L	1	WHITE(2009)	5
13	68319H05350PL	68319H05350PL		PLATE, cushion	1		5
		68319H05370PL		PLATE, cushion for SG01	1		5
		68319H05380PL		PLATE, cushion for SS01	1		5
		68319H05390PL		PLATE, cushion for SF01	1		5

FIG.31

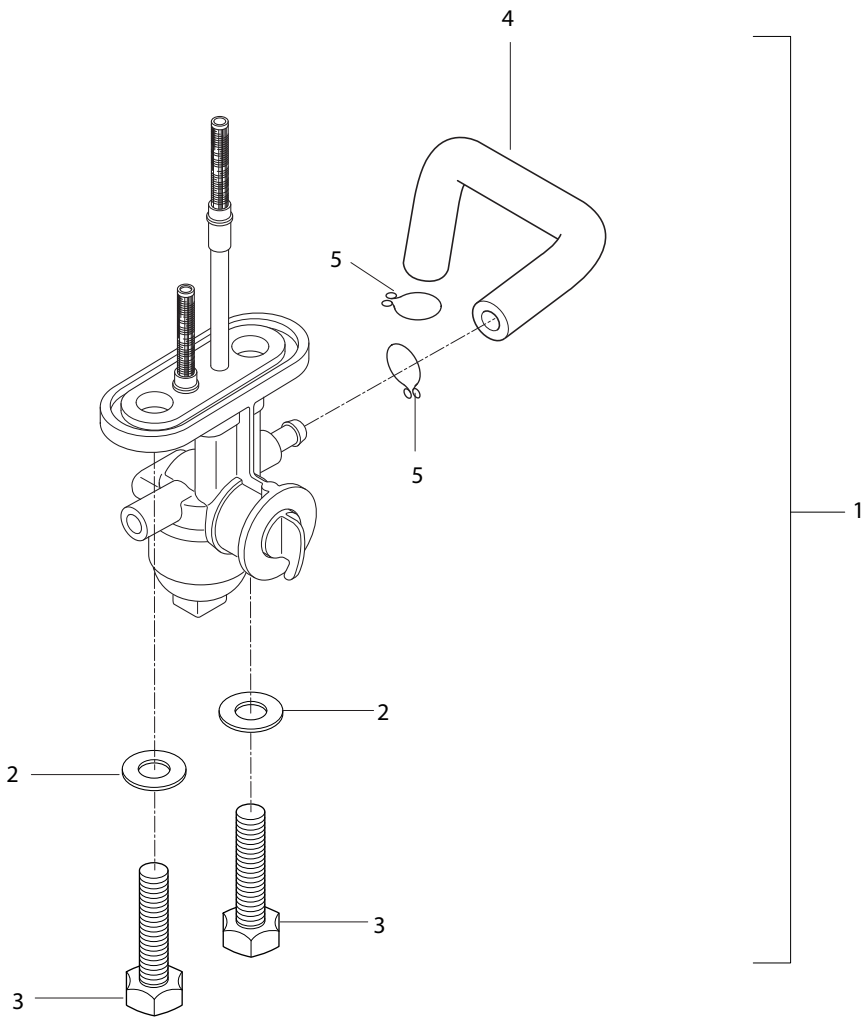


FIG 31. FUEL COCK

REF. NO.	PARTS NO.			PARTS NAME	Q`TY	REMARKS	REC.Q'TY (PCS)
1	SEN01/SSA01	SEU01/SF01/SG01/SS01	7EG01/8EG01				
1	44300HG5103	44300HG5103	44300HG5103	COCK ASS'Y, FUEL	1		10
2	09168-06010	09168-06010	09168-06010	GASKET, FUEL COCK	2		10
3	09128-06005	09128-06005	09128-06005	BOLT, FUEL COCK	2		
4	44197HB1100	44197HB1100	44197HB1100	HOSE,FUEL (L=140)	1		5
5	09401-09101	09401-09101	09401-09101	CLIP, FUEL HOSE	1		5

FIG.32

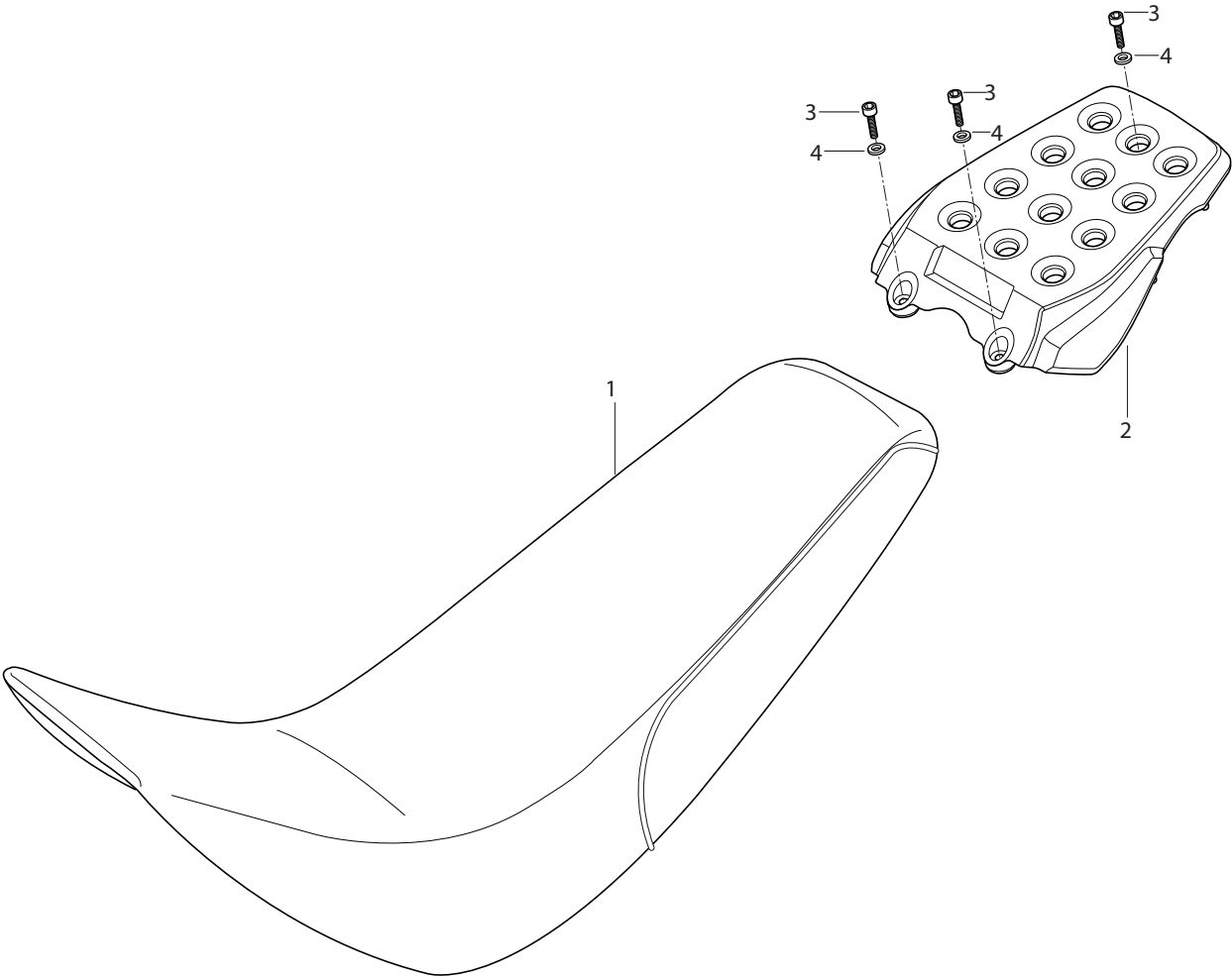
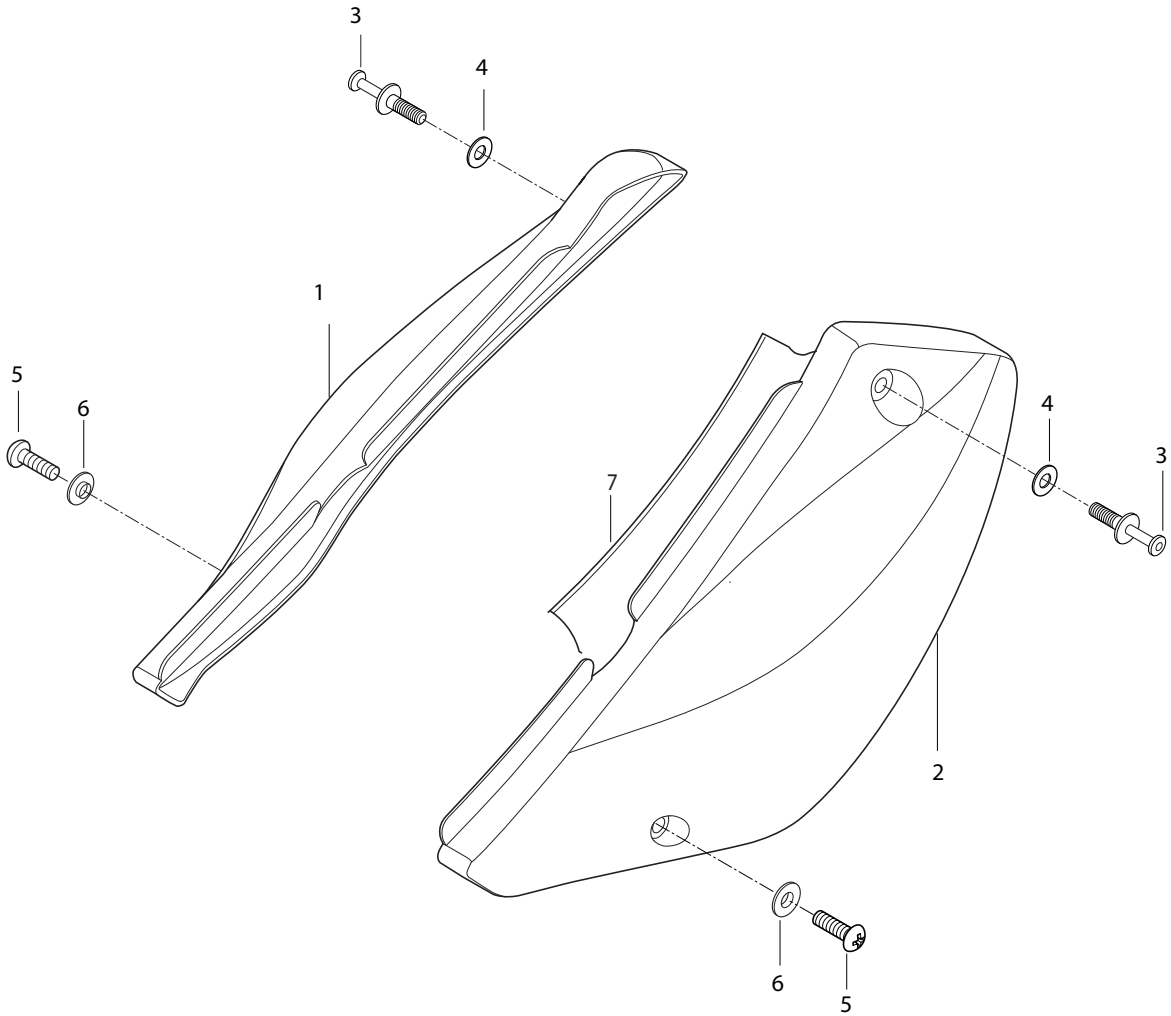


FIG 32. SEAT & SEAT TAIL COVER

REF. NO.	PARTS NO.			PARTS NAME	Q'TY	REMARKS	REC.Q'TY (PCS)
	SEN01/SSA01	SEU01/SF01/SG01/SS01	7EG01/8EG01				
1	45100HM5450L05	45100HM5450L05	45100HM5450L05	SEAT SET FOR 0LO(ORANGE)	1		5
	45100HM5450L06	45100HM5450L06	45100HM5450L06	SEAT SET FOR 0VB(BLUE)	1		5
	45100HM5450L07	45100HM5450L07	45100HM5450L07	SEAT SET FOR 0BK(BLACK)	1	COLOR 2009	5
	45100HM5450L07	45100HM5450L07	45100HM5450L07	SEAT SET FOR 0WP(WHITE)	1	COLOR 2009	5
2	46410HM540003P	46410HM540003P	46410HM540003P	CARRIER COMP, rear	1		5
3	07110-08258	07110-08258	07110-08258	BOLT, rear carrier	3		5
4	08322-11088	08322-11088	08322-11088	WASHER, rear carrier bolt	3		

FIG.33



2008



2009



FIG 33. SIDE COVER

REF. NO.	PARTS NO.			PARTS NAME	Q'TY	REMARKS	REC.Q'TY (PCS)		
	SEN01/SSA01	SEU01/SF01/SG01/SS01	7EG01/8EG01						
1	47111HR78000LO	47111HR78000LO	47111HR78000LO	COVER, side R (ORANGE) with sticker	1		1		
	47111HR78000VB	47111HR78000VB	47111HR78000VB	COVER, side R (BLUE) with sticker	1				
	47111HR78200BK	47111HR78200BK	47111HR78200BK	COVER, side R (BLACK) with sticker	1	COLOR 2009			
	47111HR78200WP	47111HR78200WP	47111HR78200WP	COVER, side R (WHITE) with sticker	1	COLOR 2009			
	47111HM5401CLO	47111HM5401CLO	47111HM5401CLO	COVER, side R (ORANGE) without sticker	1				
	47111HM5401CVB	47111HM5401CVB	47111HM5401CVB	COVER, side R (BLUE) without sticker	1				
	47111HM5401CBK	47111HM5401CBK	47111HM5401CBK	COVER, side R (BLACK) without sticker	1	COLOR 2009			
	47111HM5401CWP	47111HM5401CWP	47111HM5401CWP	COVER, side R (WHITE) without sticker	1	COLOR 2009			
	68214HR78000DO	68214HR78000DO	68214HR78000DO	TAPE,side cover R (CLO)	1				
	68214HR78000D2	68214HR78000D2	68214HR78000D2	TAPE,side cover R (CVB)	1				
	68214HR7820A2H	68214HR7820A2H	68214HR7820A2H	TAPE,side cover R (CBK)	1	BLACK(2009)			
	68214HR7820A2J	68214HR7820A2J	68214HR7820A2J	TAPE,side cover R (CWP)	1	WHITE(2009)			
	2	47211HR78000LO	47211HR78000LO	47211HR78000LO	COVER, side L (ORANGE) with sticker	1			1
		47211HR78000VB	47211HR78000VB	47211HR78000VB	COVER, side L (BLUE) with sticker	1			
47211HR78200BK		47211HR78200BK	47211HR78200BK	COVER, side L (BLACK) with sticker	1	COLOR 2009			
47211HR78200WP		47211HR78200WP	47211HR78200WP	COVER, side L (WHITE) with sticker	1	COLOR 2009			
47211HM5401CLO		47211HM5401CLO	47211HM5401CLO	COVER, side L (ORANGE) without sticker	1				
47211HM5401CVB		47211HM5401CVB	47211HM5401CVB	COVER, side L (BLUE) without sticker	1				
47211HM5401CBK		47211HM5401CBK	47211HM5401CBK	COVER, side L (BLACK) without sticker	1	COLOR 2009			
47211HM5401CWP		47211HM5401CWP	47211HM5401CWP	COVER, side L (WHITE) without sticker	1	COLOR 2009			
68216HR78000DO		68216HR78000DO	68216HR78000DO	TAPE,side cover L (CLO)	1				
68216HR78000D2		68216HR78000D2	68216HR78000D2	TAPE,side cover L (CVB)	1				
68216HR7820A2H		68216HR7820A2H	68216HR7820A2H	TAPE,side cover L (CBK)	1	BLACK(2009)			
68216HR7820A2J		68216HR7820A2J	68216HR7820A2J	TAPE,side cover L (CWP)	1	WHITE(2009)			
3		47113HM8101	47113HM8101	47113HM8101	BOLT, luggage support	2			
4		08322-11088	08322-11088	08322-11088	WASHER, luggage support bolt	2		2	
5	02142-06166	02142-06166	02142-06166	SCREW, side cover	2				
6	09169-06034	09169-06034	09169-06034	WASHER, side cover	2				
7	47239HM5400	47239HM5400	47239HM5400	HEAT SHIELD, SIDE COVER LH	1				

FIG.34

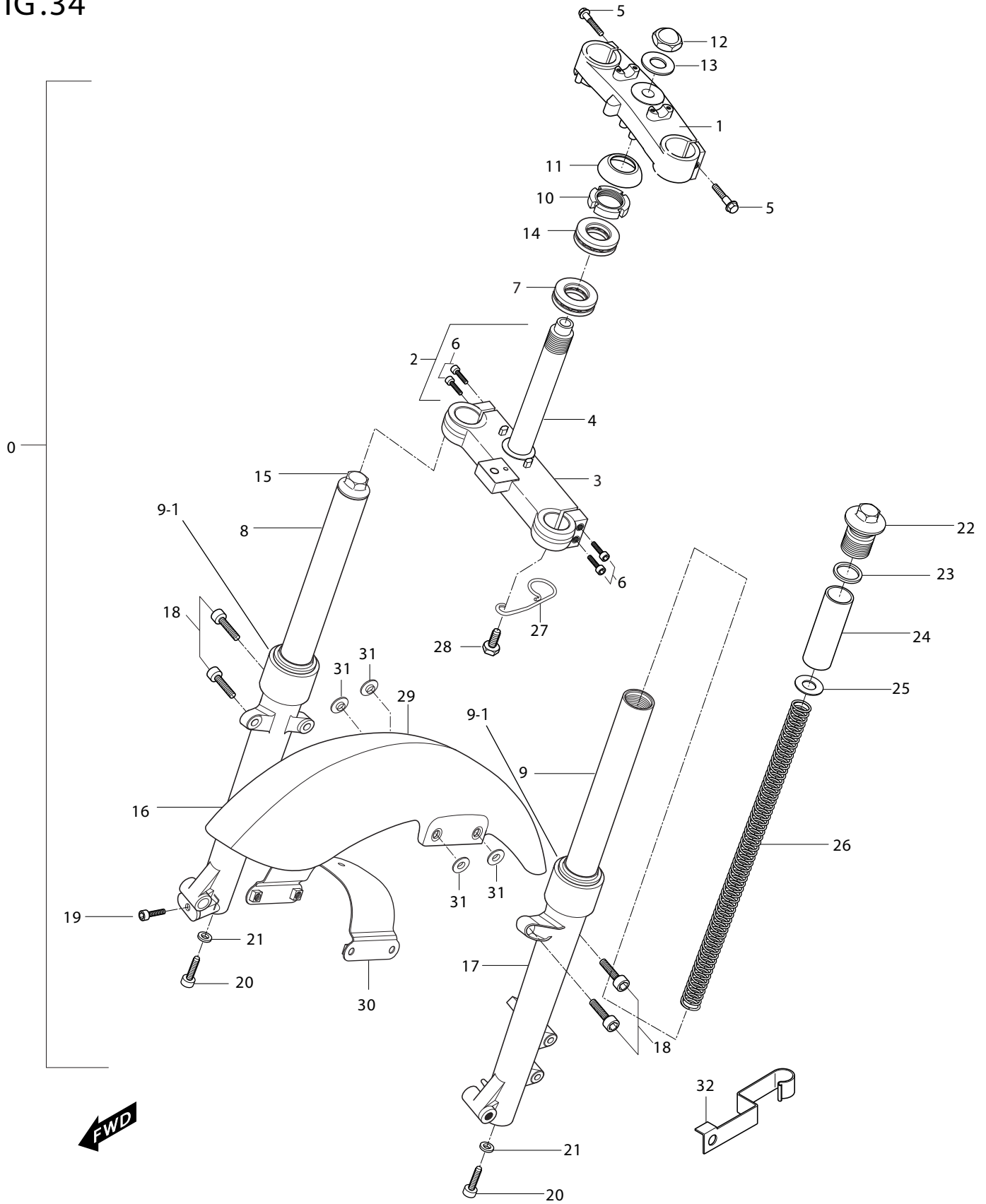


FIG 34. FRONT FORK & FENDER

REF.	PARTS NO.			PARTS NAME	Q'TY	REMARKS	REC.Q'TY
NO.	SEN01/SSA01	SEU01/SF01/SG01/SS01	7EG01/8EG01				(PCS)
0	51100HM5400HPA	51100HM5400HPA	51100HM5400HPA	FORK ASSY, front	1		5
1	51311HM5400121	51311HM5400121	51311HM5400121	BRACKET, front fork upper	1		5
2	51410HM5400121	51410HM5400121	51410HM5400121	BRACKET COMP, front fork under	1		
3	51411HM5400	51411HM5400	51411HM5400	BRACKET, front fork under	1	NOT SALE	
4	51412HG5103	51412HG5103	51412HG5103	STEM, steering	1	NOT SALE	
5	07110-08258	07110-08258	07110-08258	BOLT, front fork upper bracket	2		
6	07110-08258	07110-08258	07110-08258	BOLT, front fork under bracket	4		
7	09265H25001	09265H25001	09265H25001	BEARING, steering lower	1		
8	51210HR7800	51210HR7800	51210HR7800	DAMPER ASSY, front fork R	1		5
9	51220HR7800	51220HR7800	51220HR7800	DAMPER ASSY, front fork L	1		5
10	51631-28000	51631-28000	51631-28000	NUT, steering stem	1		
11	51643HG5801	51643HG5801	51643HG5801	DUST SEAL, steering upper	1		
12	09159H22001	09159H22001	09159H22001	NUT, steering upper	1		
13	09160H22031	09160H22031	09160H22031	WASHER, steering upper	1		
14	09265H28001	09265H28001	09265H28001	BEARING, steering upper	1		
15	51432HG5100	51432HG5100	51432HG5100	BOLT, front fork upper	1	NOT SALE	
16	51420HM5401	51420HM5401	51420HM5401	CASE, botton r	1		
17	51520HM5401	51520HM5401	51520HM5401	CASE, botton l	1		
18	07110-08256	07110-08256	07110-08256	BOLT, front fender	4		
19	07110-08358	07110-08358	07110-08358	BOLT, ft fork clamp R	1		
20	07110-08256	07110-08256	07110-08256	BOLT, fork clip	2		
21	90544H93B00	90544H93B00	90544H93B00	WASHER SPACER	2		
22	51432HG5100	51432HG5100	51432HG5100	BOLT, front fork upper	1	NOT SALE	
23	91356HG5100	91356HG5100	91356HG5100	O-RING	2	NOT SALE	
24	51610HG5100	51610HG5100	51610HG5100	SPACER, ft fork inner	2	NOT SALE	

FIG.34

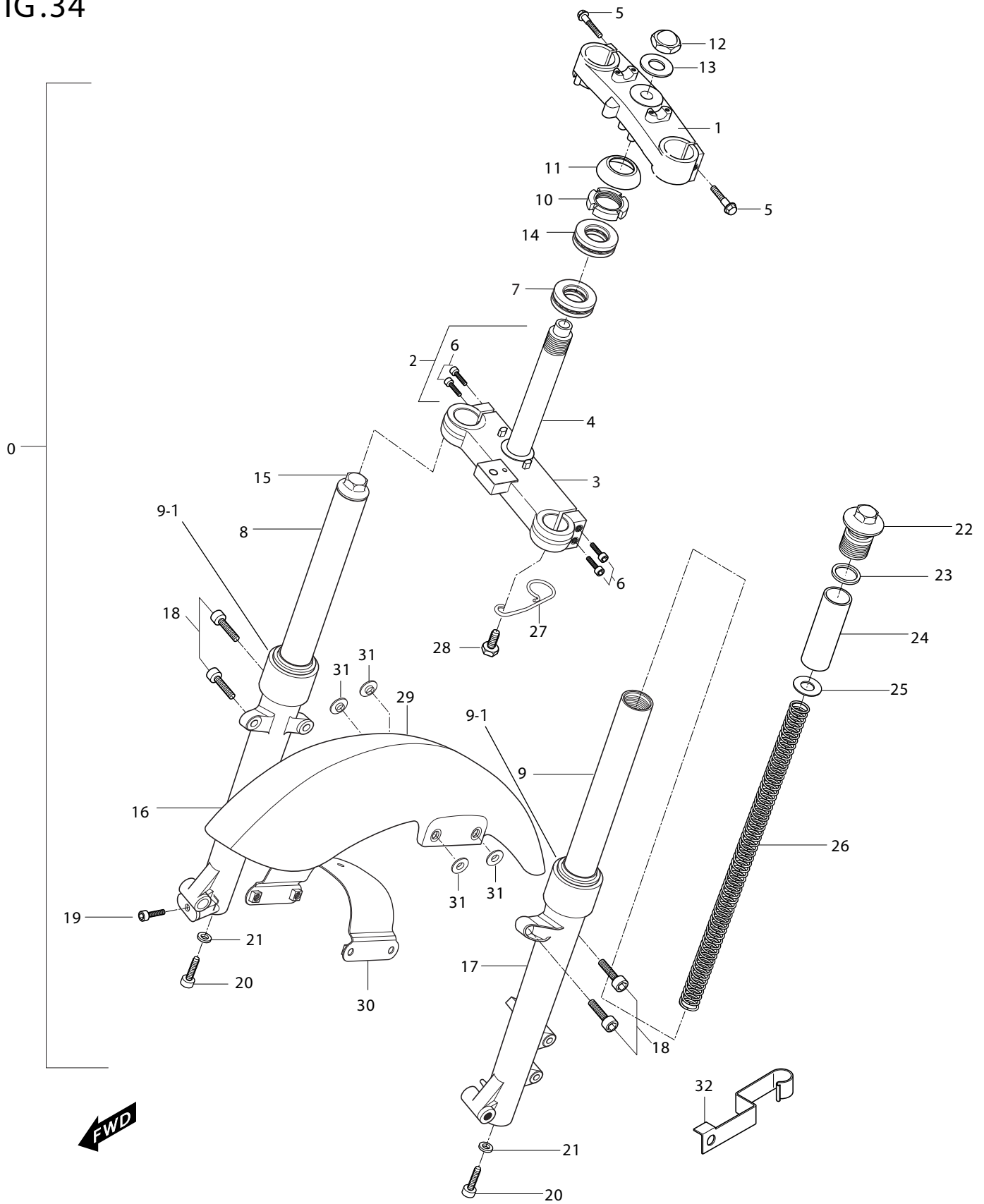


FIG 34. FRONT FORK & FENDER

REF. NO.	PARTS NO.			PARTS NAME	Q'TY	REMARKS	REC.Q'TY (PCS)
	SEN01/SSA01	SEU01/SF01/SG01/SS01	7EG01/8EG01				
25	51402HG5100	51402HG5100	51402HG5100	GUIDE, spring		NOT SALE	
26	51401HG5100	51401HG5100	51401HG5100	SPRING, cushion		NOT SALE	
27	59266HM5400	59266HM5400	59266HM5400	GUIDE, F/T brake hose & cable	1		
28	02142-06126	02142-06126	02142-06126	SCREW, guide	1		
29	53111HM54010LO	53111HM54010LO	53111HM54010LO	FENDER, front (ORANGE)	1		5
	53111HM54010VB	53111HM54010VB	53111HM54010VB	FENDER, front (BLUE)	1		
	53111HM54010BK	53111HM54010BK	53111HM54010BK	FENDER, front (BLACK)	1	COLOR 2009	
	53111HM54010WP	53111HM54010WP	53111HM54010WP	FENDER, front (WHITE)	1	COLOR 2009	
30	53211HM5401	53211HM5401	53211HM5401	BRACE, front fender	1		5
31	09169-08034	09169-08034	09169-08034	WASHER, front fender	4		
32	59266HG5101	59266HG5101	59266HG5101	CLAMP, brake hose No1	1		

FIG.35

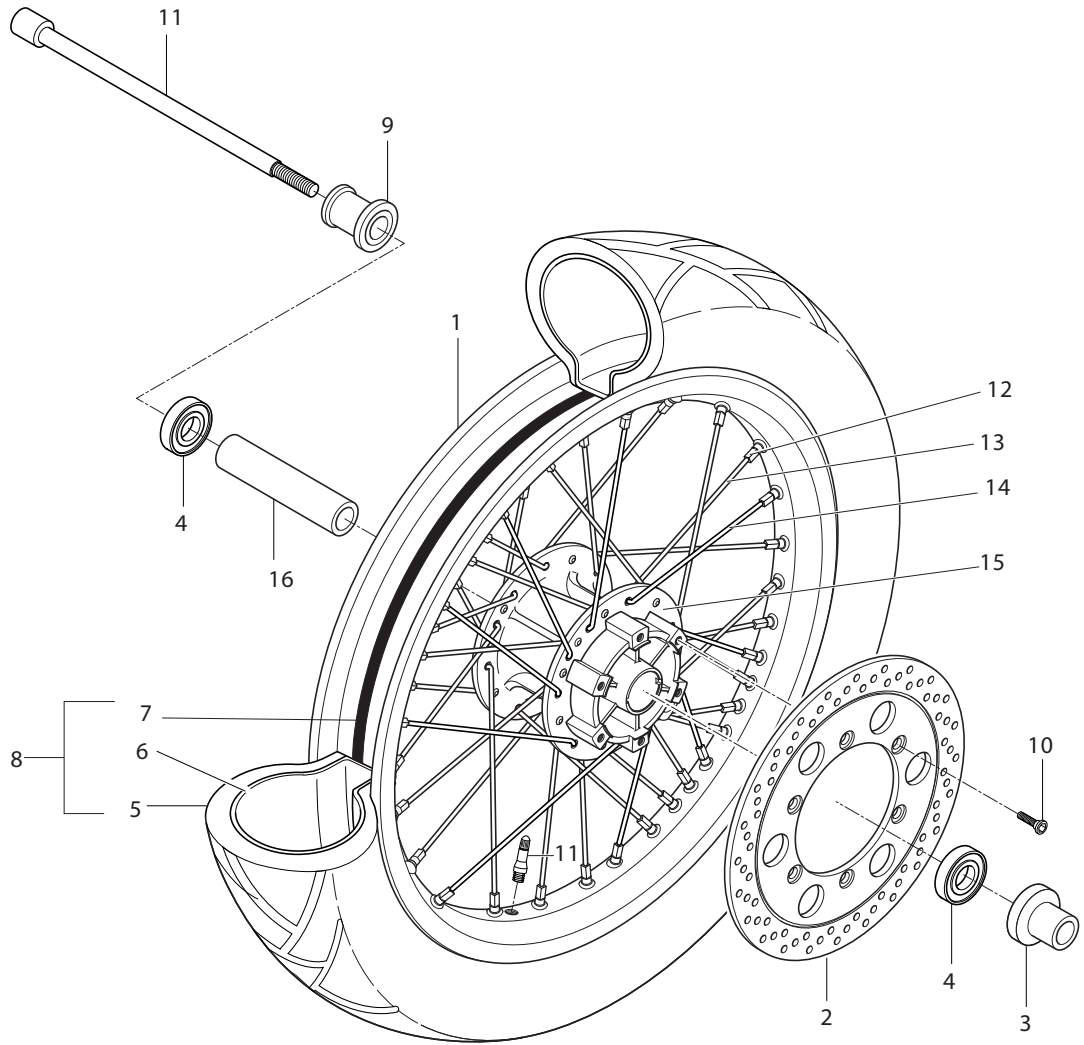


FIG 35. FRONT WHEEL

REF. NO.	PARTS NO.			PARTS NAME	Q'TY	REMARKS	REC.Q'TY (PCS)
	SEN01/SSA01	SEU01/SF01/SG01/SS01	7EG01/8EG01				
1	55311HM5400	55311HM5400	55311HM5400	RIM, front wheel(J18×MT2.50)	1		2
2	59211HR7800	59211HR7800	59211HR7800	DISC, front brake	1		5
3	54740HR7800	54740HR7800	54740HR7800	SPACER COMP, FT axle RH	1		
4	08124-63027	08124-63027	08124-63027	BEARING, front hub	2		10
5	55100HM5400	55100HM5400	55100HM5400	TIRE COMP, front(2.75 x 21 45P)	1		10
6	55200HM5400	55200HM5400	55200HM5400	TUBE ASS`Y, front wheel inner	1		
7	55261HM5400	55261HM5400	55261HM5400	PROTECTOR, front wheel inner	1		
8	55101HM5400	55101HM5400	55101HM5400	TIRE SET, front (2.75 x 21 45P)	1	NOT SALE	5
9	54750HM5400	54750HM5400	54750HM5400	SPACER COMP, FT axle L	1		5
10	59421-03A01	59421-03A01	59421-03A01	BOLT, front brake	4		5
11	54711HG5101	54711HG5101	54711HG5101	AXLE, front	1		
12	65325HM5400	65325HM5400	65325HM5400	NIPPLE, wheel spoke	36		10
13	55321HM5400	55321HM5400	55321HM5400	SPOKE, front wheel inner	18		
14	55322HM5400	55322HM5400	55322HM5400	SPOKE, front wheel outer	18		
15	54110HM5400121	54110HM5400121	54110HM5400121	HUB, front wheel	1		
16	54731HG5100	54731HG5100	54731HG5100	SPACER, front hub	1		
17	54110HM5400HPA	54110HM5400HPA	54110HM5400HPA	WHEEL FT+TIRE	1		3
18	54110SM5400HPA	54110SM5400HPA	54110SM5400HPA	WHEEL FT ASS`Y	1		3

FIG.36

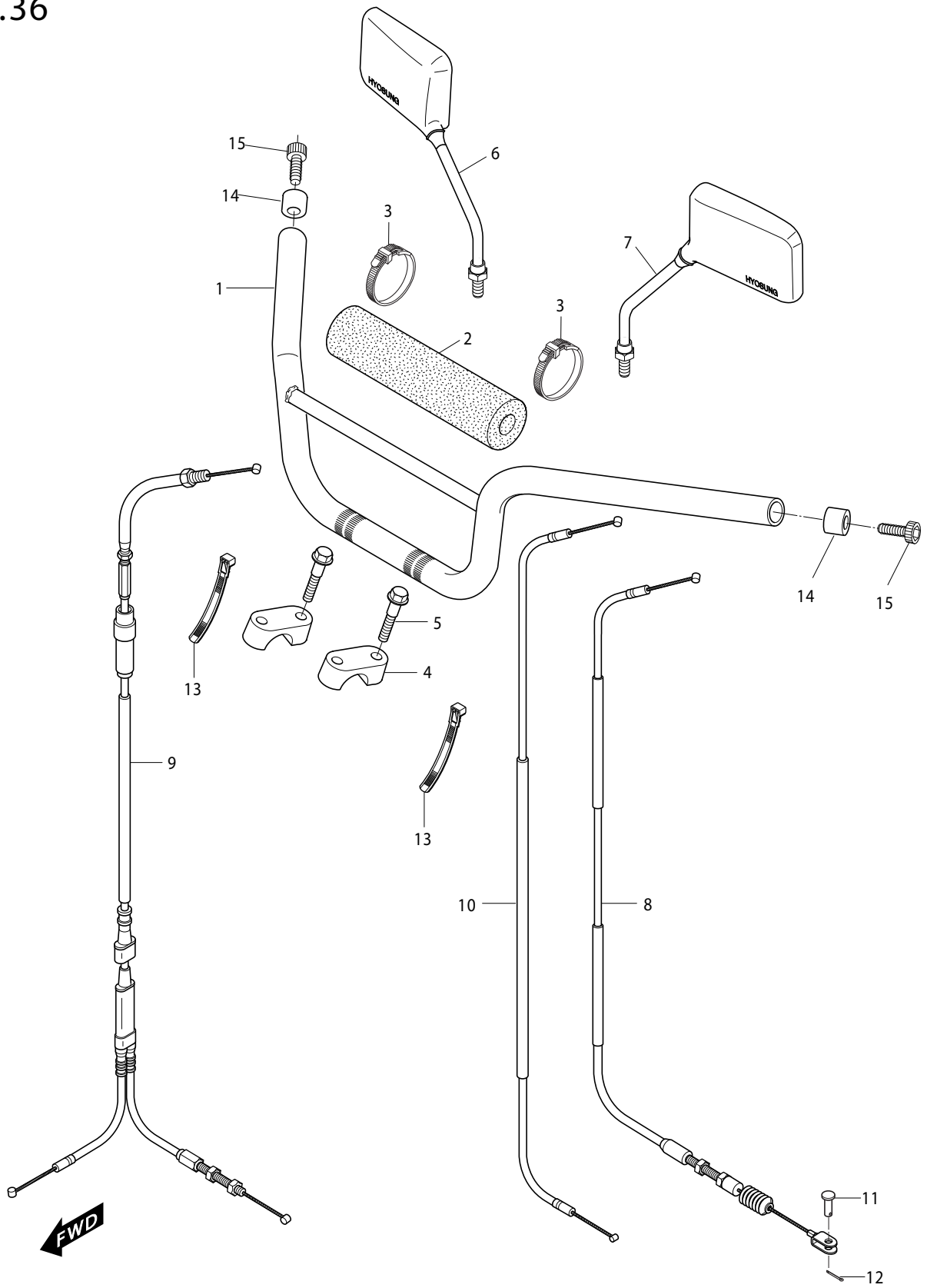


FIG 36. HANDLE BAR

REF. NO.	PARTS NO.			PARTS NAME	Q'TY	REMARKS	REC.Q'TY (PCS)
	SEN01/SSA01	SEU01/SF01/SG01/SS01	7EG01/8EG01				
1	56110HG5856PAM	56110HG5856PAM	56110HG5856PAM	HANDLE BAR COMP	1		5
2	56172HG5800	56172HG5800	56172HG5800	PAD, crossbar	1		5
3	09407-18401	09407-18401	09407-18401	BAND, crossbar pad	2		
4	56211-272A0	56211-272A0	56211-272A0	HOLDER, handlebar	2		
5	01517-08355	01517-08355	01517-08355	BOLT, handlebar holder	4		
6	56500HM5450	56500HM5450	56500HM5450	MIRROR ASS`Y, rear view R	1		5
7	56600HM5450	56600HM5450	56600HM5450	MIRROR ASS`Y, rear view L	1		5
8	58200HR7900	58200HR7900	58200HR7900	CABLE ASS`Y, clutch	1		
9	58300HM5402	58300HM5402	58300HM5402	CABLE ASS`Y, throttle	1		5
10	58410HM5402	58410HM5402	58410HM5402	CABLE ASS`Y, starter	1		5
11	09200-06004	09200-06004	09200-06004	PIN, clutch cable	1		5
12	04111-20158	04111-20158	04111-20158	COTTER PIN, clutch	1		
13	09407-14403	09407-14403	09407-14403	CLAMP, handle switch harness	2		
14	56271HF4501PLA	56271HF4501PLA	56271HF4501PLA	BLANCER, handle bar	2		10
15	07110-08258	07110-08258	07110-08258	BOLT, handle bar	2		5

FIG.37

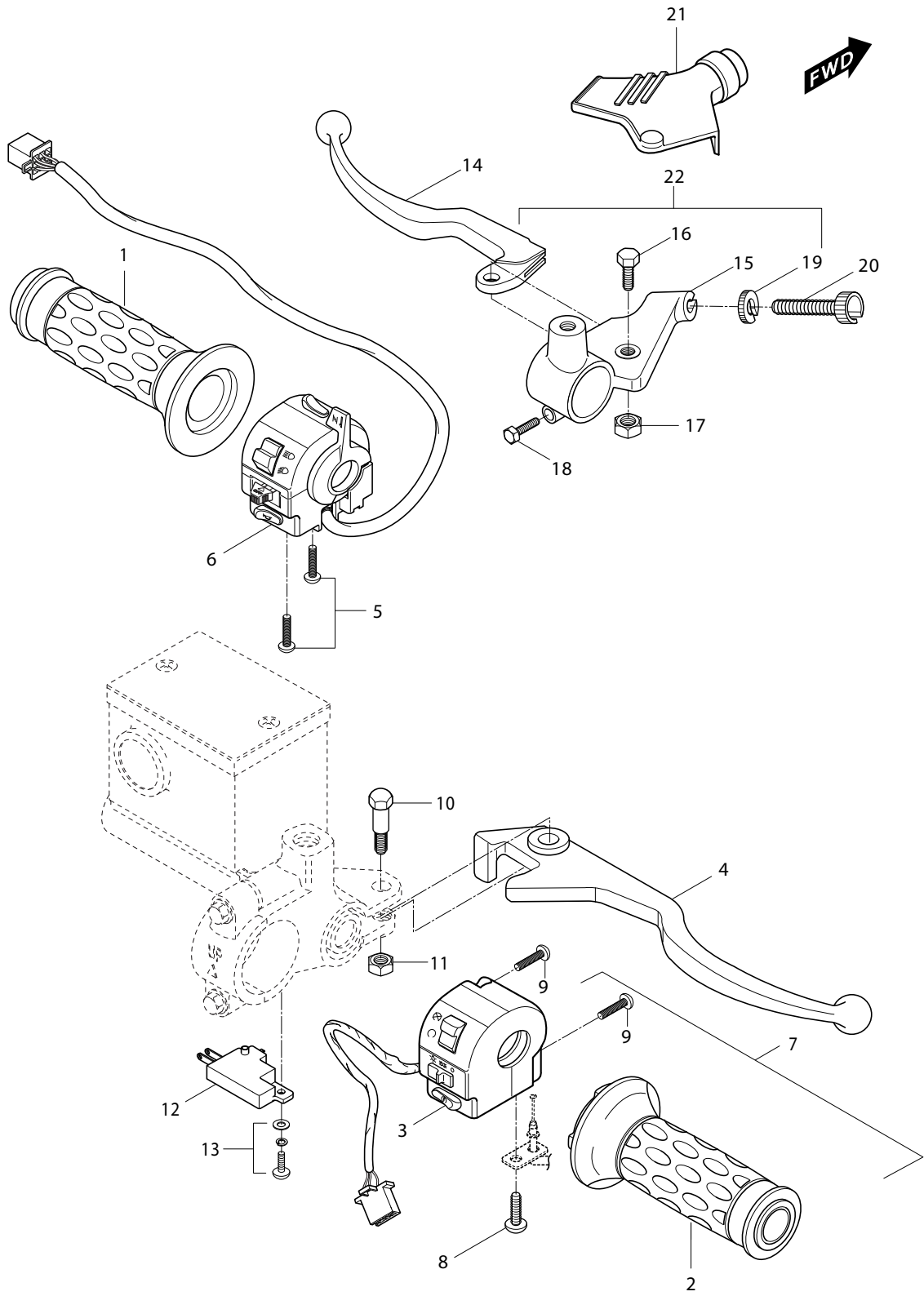


FIG 37. HANDLE SWITCH

REF. NO.	PARTS NO.			PARTS NAME	Q'TY	REMARKS	REC.Q'TY (PCS)
	SEN01/SSA01	SEU01/SF01/SG01/SS01	7EG01/8EG01				
1	57211HG5800	57211HG5800	57211HG5800	GRIP, L	1		5
2	57110HG5803	57110HG5803	57110HG5803	GRIP ASS'Y throttle	1		5
3	37200HM5451	37200HM5451	37200HM5401	SWITCH ASS`Y, handle R	1		5
4	57421-13001	57421-13001	57421-13001	LEVER, brake	1		10
5	02112-05455	02112-05455	02112-05455	SCREW, H/switch LH	1		
6	37400HM5400	37400HM5400	37400HM5400	SWITCH ASS`Y, handle L	1		
7	08310-11068	08310-11068	08310-11068	HEX NUT			
8	02112-05105	02112-05105	02112-05105	SCREW, throttle cable(M5x10)	1		
9	02112-05205	02112-05205	02112-05205	SCREW, H/switch RH	2		
10	57431H05D00	57431H05D00	57431H05D00	BOLT, brake lever pivot	1		
11	08319-21065	08319-21065	08319-21065	NUT, brake lever pivot	1		
12	57460-17C00	57460-17C00	57460-17C00	SWITCH ASS'Y stop	1		
13	02112-74108	02112-74108	02112-74108	SCREW, stop switch	1		
14	57620HG5800	57620HG5800	57620HG5800	CLUTCH LEVER	1		
15	57511HG5800	57511HG5800	57511HG5800	HOLDER, clutch lever	1		
16	57431H05D00	57431H05D00	57431H05D00	BOLT SET, lever	1		
17	08319-21065	08319-21065	08319-21065	NUT, brake lever pivot(M21)	1		
18	57451HG5800	57451HG5800	57451HG5800	CROWN BOLT	1		
19	57442H93B00	57442H93B00	57442H93B00	LOCK NUT	1		
20	57441H93B00	57441H93B00	57441H93B00	WIRE, adjuster	1		
21	57661HJ8200	57661HJ8200	57661HJ8200	COVER, clutch lever	1		
22	57500HG5800	57500HG5800	57500HG5800	LEVER ASS`Y, clutch	1		

FIG.38

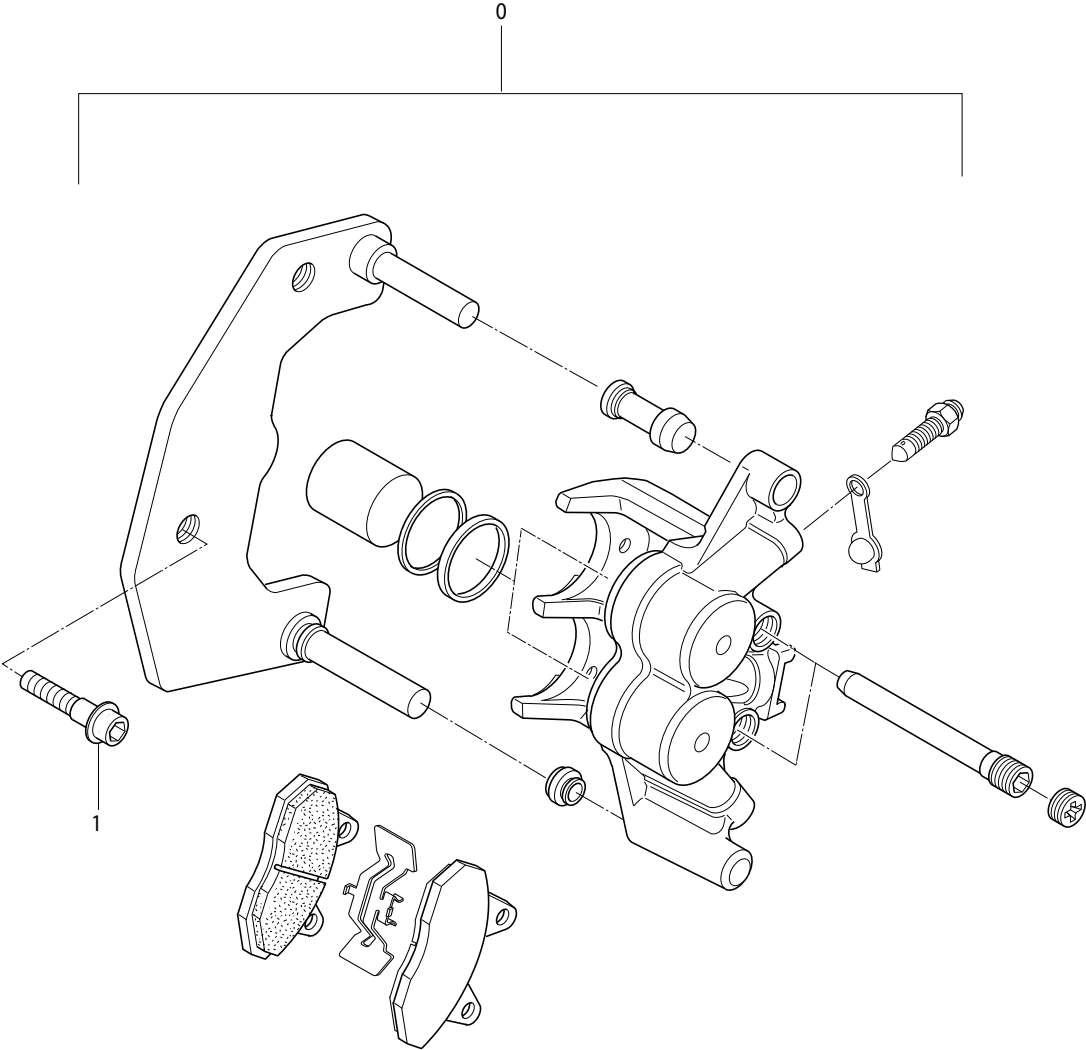


FIG 38. CALIPER

REF. NO.	PARTS NO.			PARTS NAME	Q`TY	REMARKS	REC.Q'TY (PCS)
	SEN01/SSA01	SEU01/SF01/SG01/SS01	7EG01/8EG01				
0	59300HR7800	59300HR7800	59300HR7800	CALIPER ASS`Y, front	1		5
1	01517-08508	01517-08508	01517-08508	BOLT, caliper	1		5
2	59301HP9500	59301HP9500	59301HP9500	PAD SET(8.4t)	1		20

FIG.39

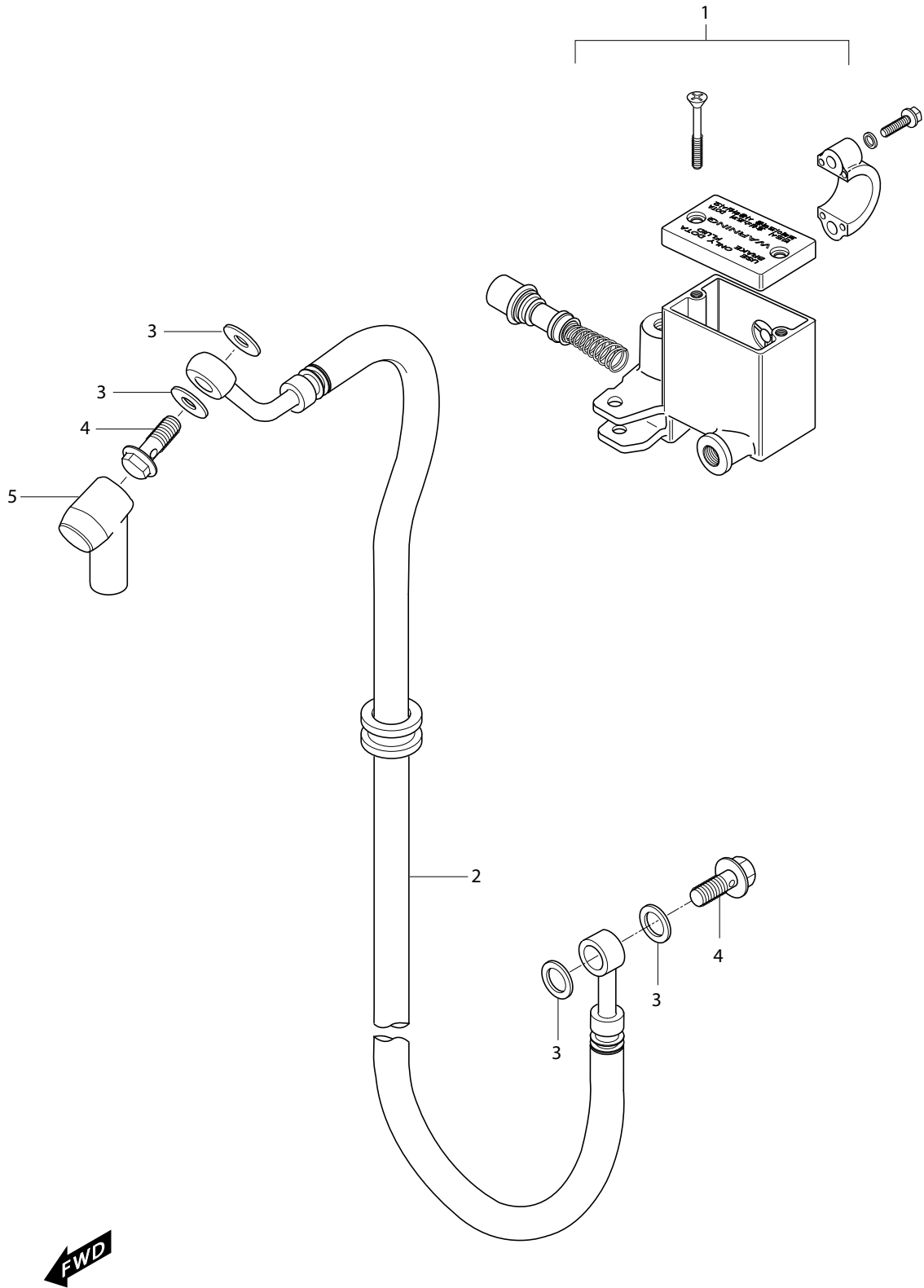


FIG 39. MASTER CYLINDER & BRAKE HOSE

REF. NO.	PARTS NO.			PARTS NAME	Q`TY	REMARKS	REC.Q'TY (PCS)
	SEN01/SSA01	SEU01/SF01/SG01/SS01	7EG01/8EG01				
1	59600-35C03	59600-35C03	59600-35C03	CYLINDER ASSY, front master	1		5
2	59480HM5402	59480HM5402	59480HM5402	HOSE COMP, front brake	1		5
3	09161-10009	09161-10009	09161-10009	WASHER, brake fluid	4		
4	09360-10039	09360-10039	09360-10039	BOLT, brake hose	2		10
5	59711H49002	59711H49002	59711H49002	BOOT, master cylinder	1		5

FIG.40

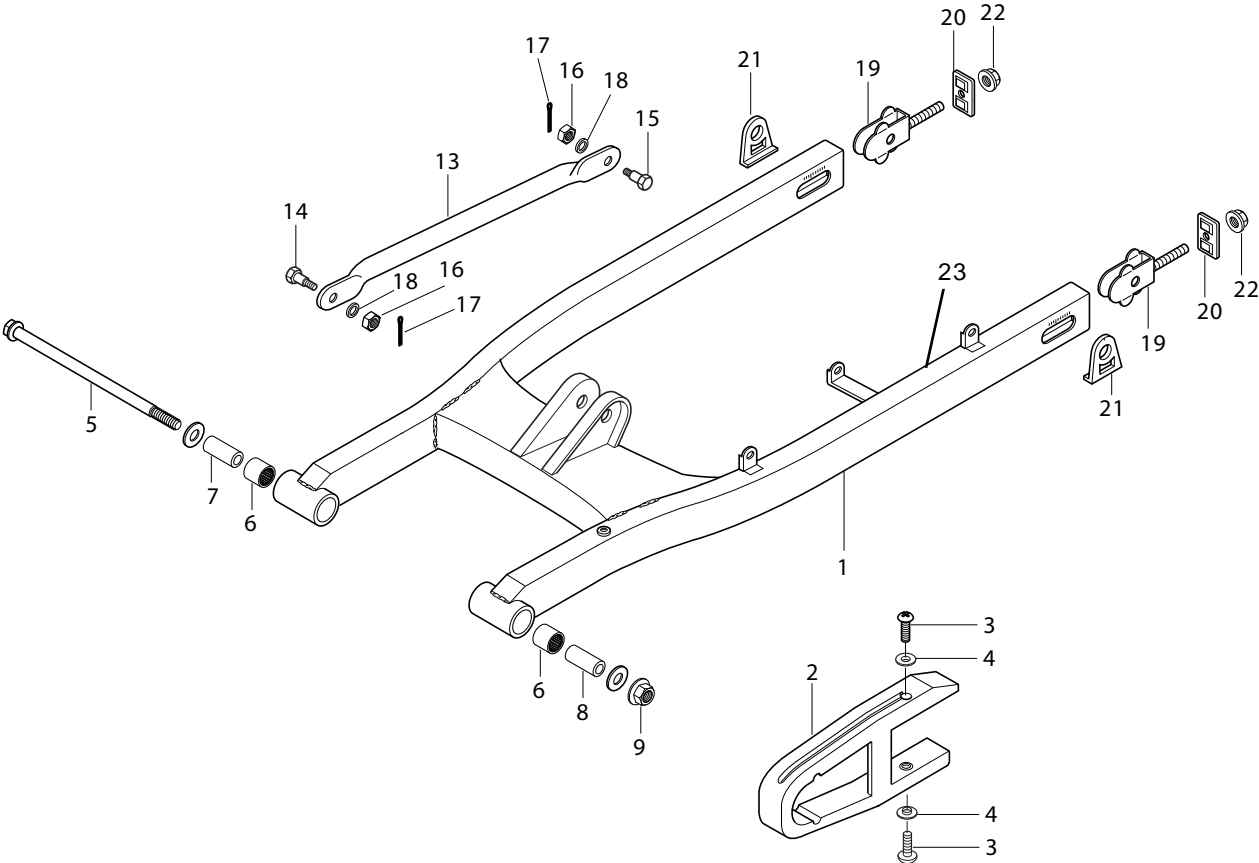


FIG 40. REAR SWINGARM

REF. NO.	PARTS NO.			PARTS NAME	Q'TY	REMARKS	REC.Q'TY (PCS)
	SEN01/SSA01	SEU01/SF01/SG01/SS01	7EG01/8EG01				
1	61100HM5409HPA	61100HM5409HPA	61100HM5409HPA	SWINGARM COMP, rear	1		5
2	61273HG5802	61273HG5802	61273HG5802	BUFFER, chain touch defense	1		
3	02142-06165	02142-06165	02142-06165	BOLT, chain touch defense buffer	2		
4	09169H06011	09169H06011	09169H06011	WASHER, chain touch defense buffer	2		
5	61211HM5400	61211HM5400	61211HM5400	SHAFT, rear swingarm pivot	1		10
6	09263-20073	09263-20073	09263-20073	BEARING, rear swingarm pivot	2		
7	09180H14004	09180H14004	09180H14004	SPACER, rear swingarm pivot R	1		5
8	09180H14005	09180H14005	09180H14005	SPACER, rear swingarm pivot L	1		5
9	09159H14008	09159H14008	09159H14008	NUT, rear swingarm pivot	1		
10	09283-20031	09283-20031	09283-20031	SEAL, rear cushion rod	2	NOT SALE	
11	09263H20002	09263H20002	09263H20002	BEARING, rear cushion rod	2	NOT SALE	
12	09180H14001	09180H14001	09180H14001	SPACER, rear cushion rod	1	NOT SALE	
13	64310HM5401	64310HM5401	64310HM5401	TORQUE LINK COMP, rear	1		8
14	09111-08012	09111-08012	09111-08012	BOLT, rear torque link front	1		10
15	09111-08013	09111-08013	09111-08013	BOLT, rear torque link rear	1		10
16	09140-08008	09140-08008	09140-08008	NUT, rear torque link	2		5
17	04111-20208	04111-20208	04111-20208	COTTER PIN, rear torque link	2		5
18	08321-31088	08321-31088	08321-31088	WASHER, rear torque link	2		5
19	61410HM5400	61410HM5400	61410HM5400	ADJUSTER COMP, chain	2		
20	61421HG5800	61421HG5800	61421HG5800	PLATE, chain adjuster guide	2		
21	64712HM5400	64712HM5400	64712HM5400	WASHER, chain adjuster	2		
22	08319-31088	08319-31088	08319-31088	NUT, chain adjuster	2		
23	68320HM5450PL	68320HM5450PL	68320HM5450PL	LABEL, chain case	1		5
		68320HM5460PL		LABEL, chain case for SG01	1		5
		68320HM5480PL		LABEL, chain case for SS01	1		5
		68320HM5490PL		LABEL, chain case for SF01	1		5

FIG.41

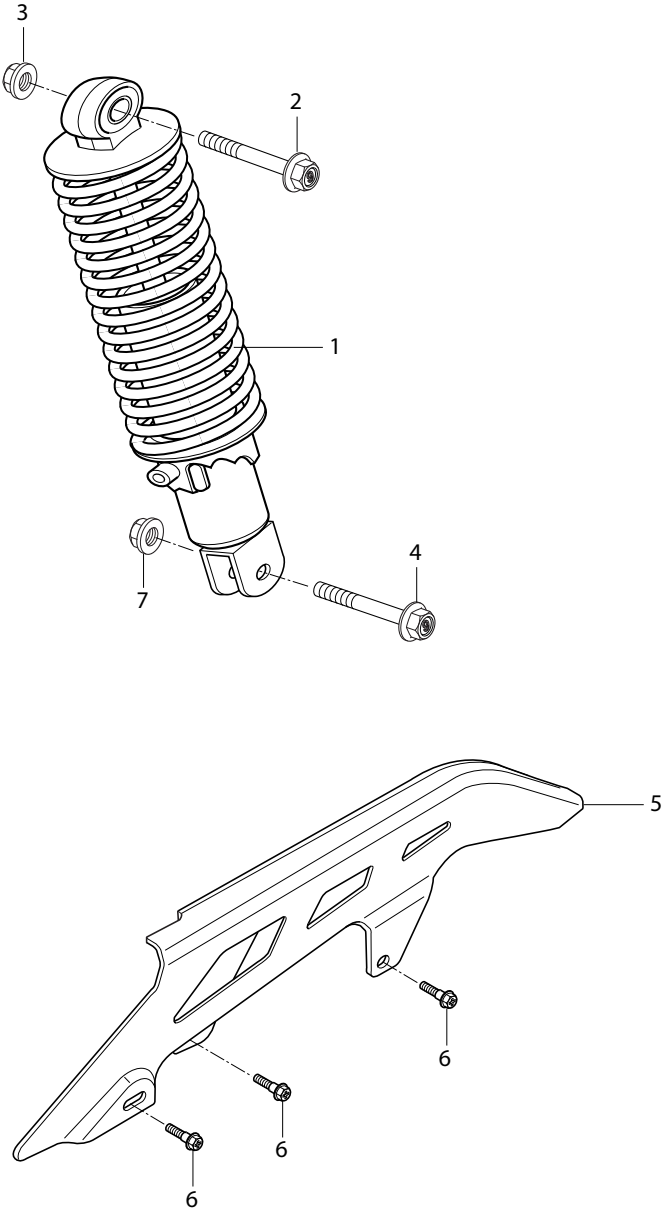


FIG 41. REAR SHOCK ABSORBER

REF. NO.	PARTS NO.			PARTS NAME	Q`TY	REMARKS	REC.Q'TY (PCS)
	SEN01/SSA01	SEU01/SF01/SG01/SS01	7EG01/8EG01				
1	62100HM5404	62100HM5404	62100HM5404	SHOCK ABSORBER ASSY, rear	1		5
2	61181-02C00	61181-02C00	61181-02C00	BOLT, rear shock absorber upper	1		5
3	08319-31108	08319-31108	08319-31108	NUT, rear shock absorber upper	1		
4	09103H10101	09103H10101	09103H10101	BOLT, rear shock absorber lower	1		
5	61311HG5802	61311HG5802	61311HG5802	CHAIN CASE	1		5
6	09111H06066	09111H06066	09111H06066	BOLT, chain case	3		20
7	08319-31108	08319-31108	08319-31108	NUT, rear shock absorber lower	1		

FIG.42

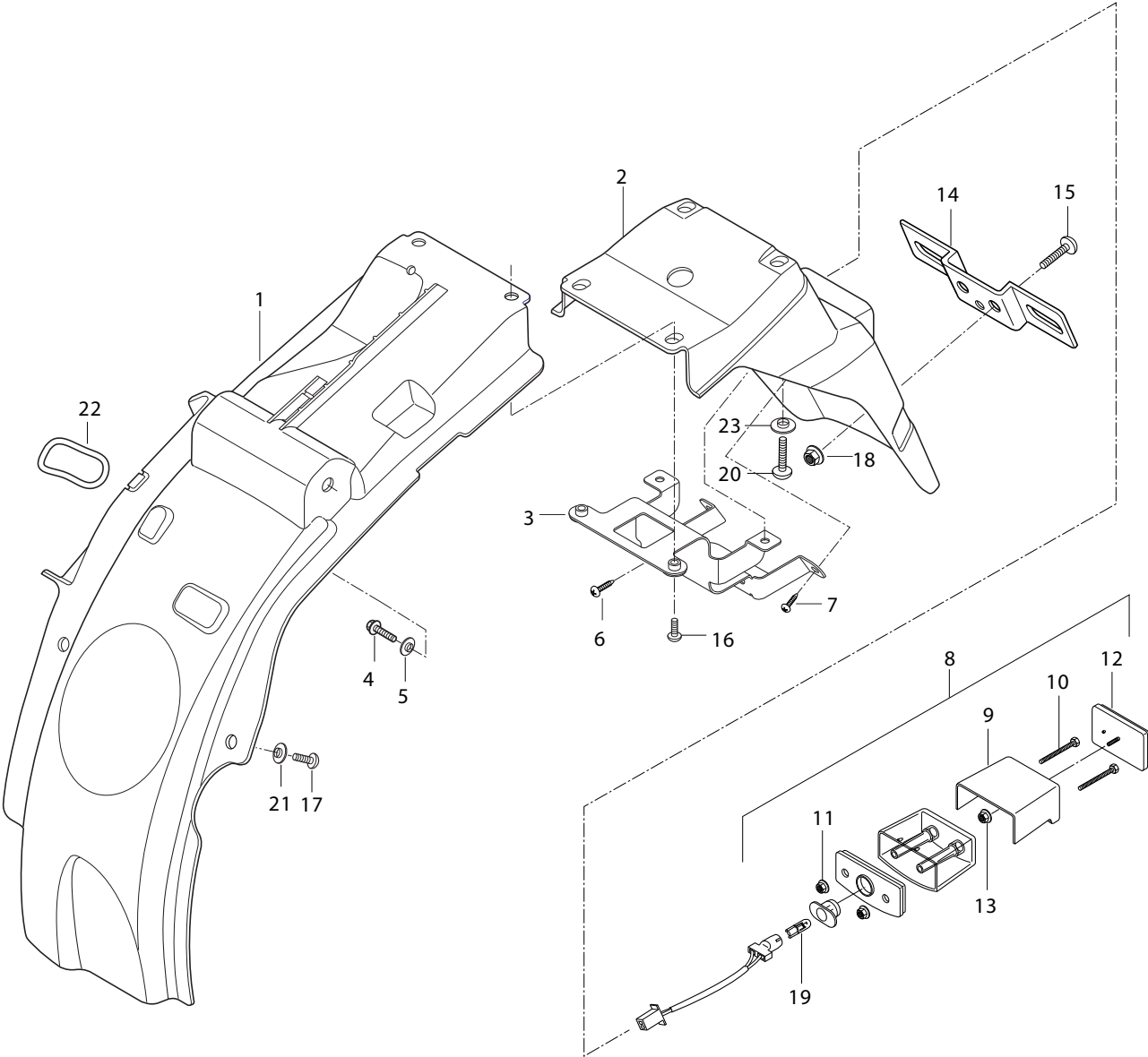


FIG 42. REAR FENDER

REF. NO.	PARTS NO.			PARTS NAME	Q'TY	REMARKS	REC.Q'TY (PCS)
	SEN01/SSA01	SEU01/SF01/SG01/SS01	7EG01/8EG01				
1	63112HM5402	63112HM5402	63112HM5402	REAR FENDER, front	1		5
2	63113HM5401	63113HM5401	63113HM5401	REAR FENDER, rear	2		
3	63120HM5400	63120HM5400	63120HM5400	BRACE COMP, RR fender	2		
4	01517-08168	01517-08168	01517-08168	BOLT, seat rear	6		
5	08322-11088	08322-11088	08322-11088	SCREW, rear fender front	1		5
6	02142-06166	02142-06166	02142-06166	SCREW, brace & RR combi	2		
7	02142-06126	02142-06126	02142-06126	SCREW, brace & RR fender RR	2		
8	35910HM5450	35910HM5450	35910HM5450	LAMP ASSY, license			
9	35915HG5800	35915HG5800	35915HG5800	COVER, license lamp	1		5
10	01107-05605	01107-05605	01107-05605	BOLT, license lamp	2		10
11	08316-26055	08316-26055	08316-26055	NUT, license lamp	2		
12	35970-17303	35970-17303	35970-17303	REFLEX REFLECTOR ASSY, rear	1		
13	08316-26055	08316-26055	08316-26055	NUT, rear reflex reflector	1		
14	35927H44430	35927H44430	35927H44430	BRACKET, license plate	1		
15	02142-06165	02142-06165	02142-06165	SCREW, license plate bracket	2		
16	02142-06206	02142-06206	02142-06206	SCREW, brace RR fender RR	2		
17	02142-06166	02142-06166	02142-06166	SCREW, rear fender front	2		
18	08316-16068	08316-16068	08316-16068	NUT, license plate bracket	2		
19	09471-12210	09471-12210	09471-12210	BOLT, seat rear	1	NOT SALE	
20	02142-06166	02142-06166	02142-06166	SCREW, rear fender rear	2		
21	09169-06032	09169-06032	09169-06032	WASHER, rear fender front	2		
22	09280-63003	09280-63003	09280-63003	O-RING, tool bag	1		
23	09169-06032	09169-06032	09169-06032	WASHER, rear fender rear	2		

FIG.43

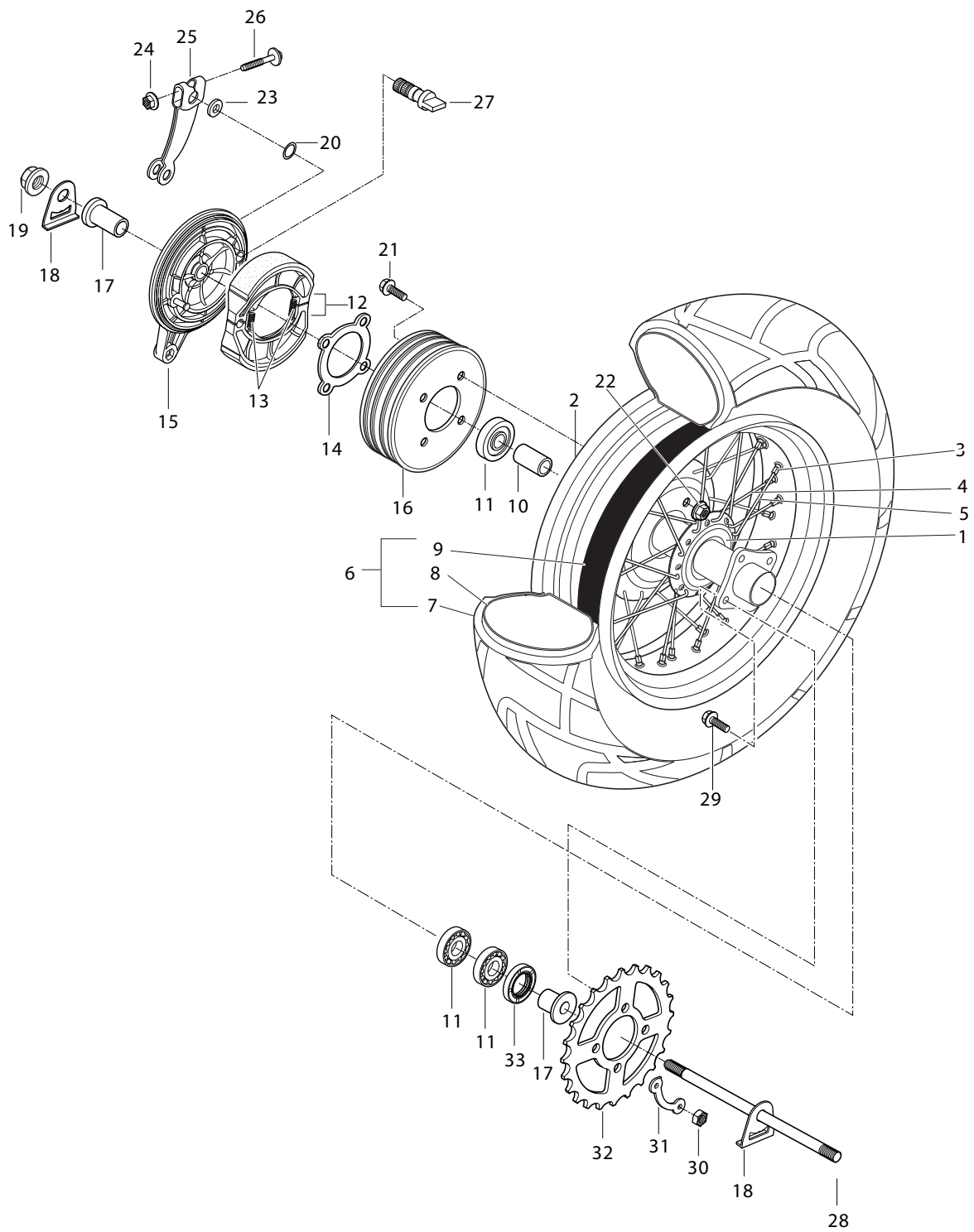


FIG 43. REAR WHEEL

REF. NO.	PARTS NO.			PARTS NAME	Q'TY	REMARKS	REC.Q'TY (PCS)
	SEN01/SSA01	SEU01/SF01/SG01/SS01	7EG01/8EG01				
1	64110HM5402PAM	64110HM5402PAM	64110HM5402PAM	HUB COMP, rear	1		5
2	65311HM5400	65311HM5400	65311HM5400	RIM, rear wheel (MT4.50X14M/C)	1		5
3	65325HM5400	65325HM5400	65325HM5400	NIPPLE, wheel spoke	36		
4	65321HM5400	65321HM5400	65321HM5400	SPOKE, rear wheel R inner	9		5
5	65322HM5400	65322HM5400	65322HM5400	SPOKE, rear wheel outer	9		
6	65401HM5400	65401HM5400	65401HM5400	TIRE SET, rear (180/80-14 M/C78P)	1	NOT SALE	
7	65100HM5400	65100HM5400	65100HM5400	TIRE COMP, rear (180/80-14 M/C78P)	1		
8	65200HM5400	65200HM5400	65200HM5400	TIRE ASS'Y rear wheel inner	1		
9	65261HM5400	65261HM5400	65261HM5400	PROTECTOR, rear wheel inner	1		
10	64730HM5400	64730HM5400	64730HM5400	SPACER, COMP, rear hub bearing	1		
11	08133-62037	08133-62037	08133-62037	BEARING, rear hub R/L	3		5
12	64400S93B03	64400S93B03	64400S93B03	SHOE COMP, brake	1		
13	09443H08025	09443H08025	09443H08025	SPRING, rear brake shoe	2		
14	64621HM5402	64621HM5402	64621HM5402	PLATE COMP, rear drum	1		
15	64200HM5402	64200HM5402	64200HM5402	PANEL COMP, rear brake anchor	1		
16	64610HM5403121	64610HM5403121	64610HM5403121	DRUM COMP, rear hub R	1		
17	64751HM5400	64751HM5400	64751HM5400	SPACER, rear axle R/L	1		
18	64712HM5400	64712HM5400	64712HM5400	WASHER, chain adtuster	2		
19	09159H16002	09159H16002	09159H16002	NUT, rear axle	1		
20	09280-14003	09280-14003	09280-14003	O-RING, rear brake cam	1		3
21	09119H08060	09119H08060	09119H08060	BOLT, rear hub plate	4		
22	08319-31088	08319-31088	08319-31088	WASHER, rear brake cam dust seal	4		3
23	09160H14001	09160H14001	09160H14001	WASHER, rear sprocket	1		
24	08316-16068	08316-16068	08316-16068	NUT, rear brake cam lever	1		
25	64451-38210	64451-38210	64451-38210	LEVER, rear brake cam	1		
26	01517-06358	01517-06358	01517-06358	BOLT, rear brake cam lever	1		5
27	54441-29306	54441-29306	54441-29306	CAM, rear brake	1		
28	64711HM5400	64711HM5400	64711HM5400	AXLE, rear	1		
29	09105H08060	09105H08060	09105H08060	BOLT, rear sprocket	4		
30	08310-11088	08310-11088	08310-11088	NUT, rear sprocket	4		
31	09169-08012	09169-08012	09169-08012	WASHER, rear sprocket	2		
32	64511HM5400	64511HM5400	64511HM5400	SPROCKET, rear 48t	1		
33	09285-250A1	09285-250A1	09285-250A1	OIL SEAL, rear hub bearing R	1		
34	64110HM5402HPA	64110HM5402HPA	64110HM5402HPA	WHEEL REAR+TIRE	1		
35	64110SM5402HPA	64110SM5402HPA	64110SM5402HPA	WHEEL REAR	1		