

ISSUE NO. : 10-001

DATE : 8th January. 2010

PAGES : 1 OF 1

SUBJECT	CAUTION TO THROTTLE BODY REPAIR.
MODEL	GT(R),GV - 250/650, MS3-250(D)
EFFECTIVE F/M NO	ALL FI MODEL

This service bulletin is written to inform you about caution in repairing Throttle body with FI type.

1. The reason of the notice

Wrong repair at Throttle body or Cylinder head could cause serious problem.

2. Caution guidance when repair

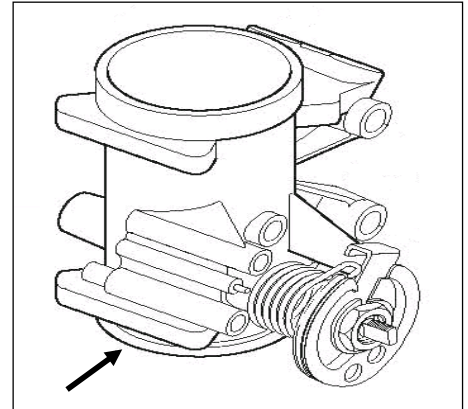
Must confirm that inside diameter part of intake pipe is assembled perfectly to groove of throttle body when you re-install cylinder head or throttle body. And then, do clamping.

3. In case of wrong installation

- ▷ Intake pipe would be separated by vibration and strange sound such as leaking of air appears.
- ▷ Unstable mixing condition by abnormal throttle operation could cause backfire phenomenon and there is small possibility of fire.

4. Related Vehicle

All F.I.(Fuel Injection) type model



5. Note!!

Before clamping intake pipe, must shake it to check whether it is assembled exactly.
This notice is only for service information. So, there is no special trouble code and FRT.

- The End -