



HYOSUNG



TE 90/100

ATV

Reservedele



SCANDINAVIAN MACHINERY IMPORT ApS

Holtvej 8-10, Høruphav

6470 Sydals

Telefon: +45 73 15 11 00

Fax: +45 73 15 11 01

E-mail: info@scanmi.dk

www.scanmi.dk



 **HYOSUNG**
MOTORS & MACHINERY INC.

REFERENCE

1.The detailed specifications of each model are referred by the persons who are in charge of overseas marketing team, Hyosung.

2.Special demand

When you order any colored parts, please add color code to the end of parts number and it will be helpful to register your parts order.

※ Color code

CRB : RED + BLACK

HYOSUNG

FIG 1

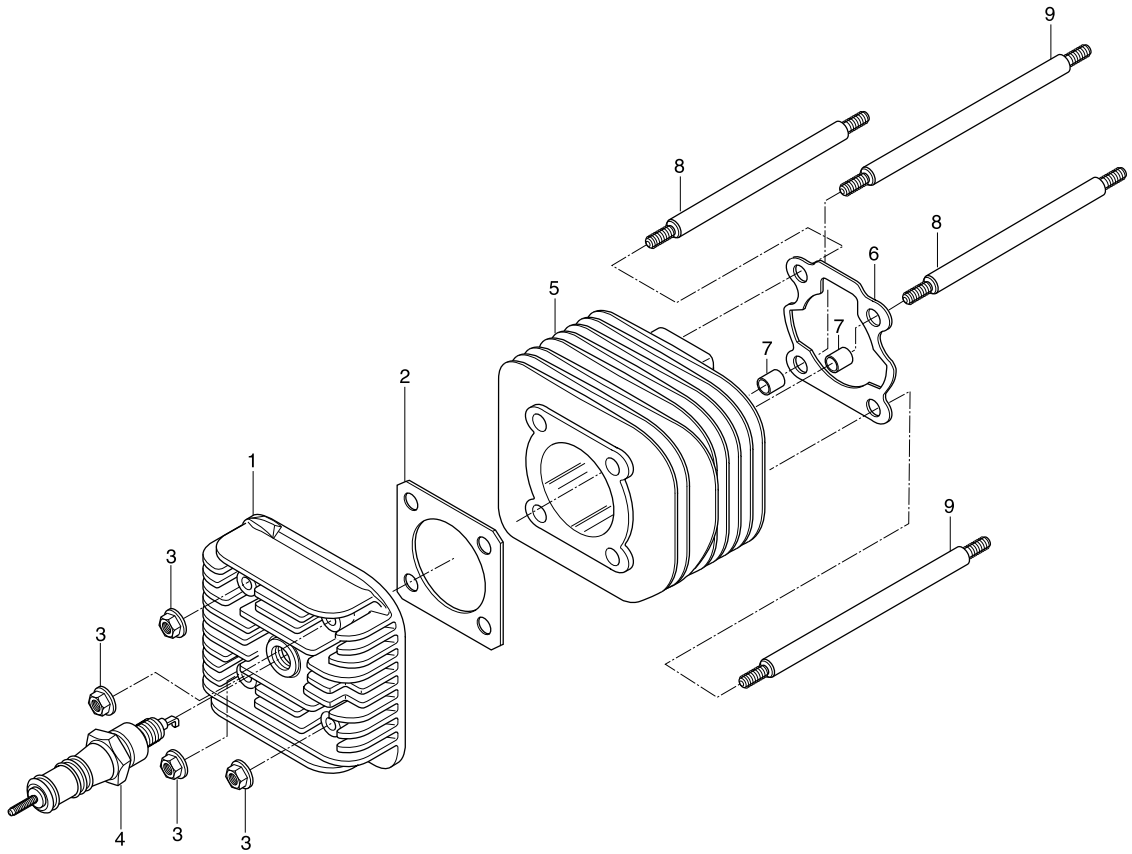


FIG 1. CYLINDER

REF. PARTS NO.	DESCRIPTION	USAGE	REMARKS	REC.Q'TY
NO. RST01		(PCS)		(PCS)
1	1111HE7101	CYLINDER COMP HEAD	1	2
2	11141-04C00	GASKET,cylinder head	1	10
3	08316-16088	NUT,cylinder head(M8)	4	
4	09482-00255	PLUG,spark(W22FPR)	1	25
5	11210HE7100PCY	CYLINDER COMP	1	
6	11241HE7102	GASKET,cylinder	1	10
7	04213-11129	PIN,cylinder knock	2	
8	09108-08056	STUD BOLT,cylinder	2	
9	09108-08216	STUD BOLT,cylinder	2	

FIG 2

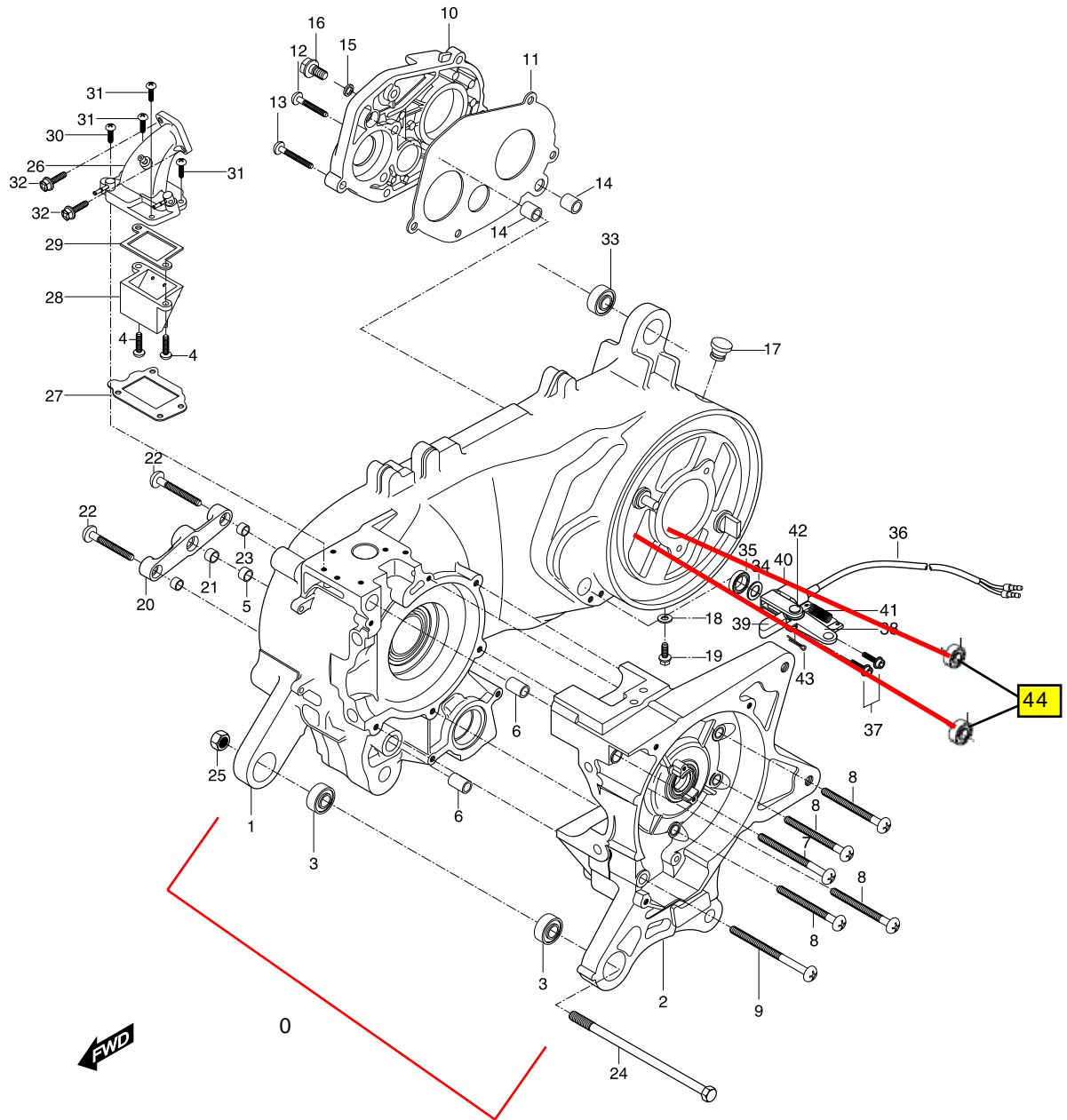


FIG 2. CRANK CASE

REF. PARTS NO.	DESCRIPTION	USAGE	REMARKS	REC.Q'TY
NO. RST01		(PCS)		(PCS)
0	11300HP4300HPA	CASE SET,crank		
1	11311HP4301HPA	CASE,crank RH		
2	11321SE7100HPA	CASE,crank LH		1
3	09319-12036	BUSH,engine mounting		
4	09138-04003	SCREW,rear valve ass'y		
5	09300-08016	BUSH,starter idle shaft	NOT SALE	
6	04213-11169	PIN,clutch cover		
7	02112-06758	SCREW,crank case(M6*75)		
8	02112-06508	SCREW,crank case(M6*50)		5
9	02112-06858	SCREW,crank case(M6*85)		
10	11431HP4303PCR	COVER,gear box		1
11	11484HP4302	GASKET,gear box cover		3
12	01547-06258	SCREW,gear box cover(M6*25)		
13	01547-06308	SCREW,gear box cover(M6*30)		
14	04213-11169	PIN,clutch cover		
15	09168-08008	GASKET,oil level(NA)		2
16	01514-08128	BOLT,oil level		2
17	09250H11005	PLUG,oil filler		2
18	09168H10003	GASKET,oil drain bolt		2
19	09247-100A8	PLUG,oil drain		2
20	11382-37B01	CAP,starter idle gear		
21	09300-08016	BUSH,starter idle shaft	NOT SALE	
22	02112-06308	SCREW,starter idle gear cap(M6		
23	04213-09109	PIN,starter idle gear cap		
24	09100-12028	BOLT,engine mounting(M12*18		
25	08319-31126	NUT,engine mounting(M12)		

FIG 2

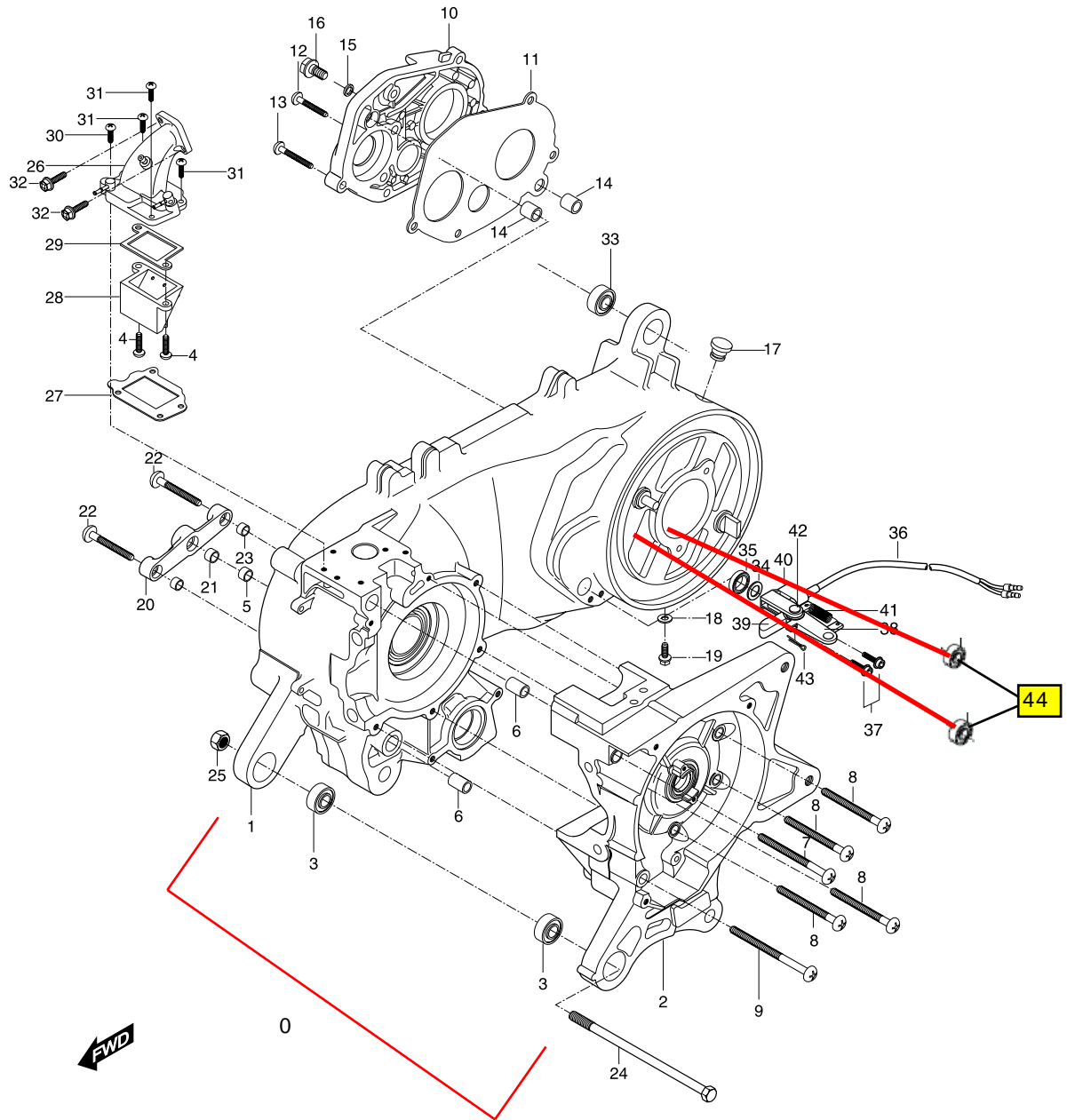


FIG 2. CRANK CASE

REF. PARTS NO.	DESCRIPTION	USAGE	REMARKS	REC.Q'TY
NO. RST01		(PCS)		(PCS)
26	13110HL4100	PIPE COMP,intake		2
27	13125HE7101	GASKET,intake pipe		5
28	13150HE7100	VALVE ASS'Y, reed		5
29	13126HE7102	GASKET,reed valve		5
30	02112-36256	SCREW,intake pipe front L(M6*		
31	02112-36206	SCREW,intake pipe(M6*20)		12
32	09128-06026	SCREW,carburetor		
33	09319H10055	BUSH		
34	08322-21108	WASHER, gear shift return		
35	09282-10007	SEAL, gear shift shaft oil		
36	37600HP4301	SWITCH ASS'y, reverse		
37	09106-06030	BOLT, gear shift arm bracket		
38	25512HP4301	ARM, gear shift shaft No1		
39	25513HP4301	ARM, gear shift shaft No2		
40	25514HP4301	BRACKET, gear shift arm		
41	09443H09006	SPRING, gearshift arm		
42	09200-06030	PIN, gear shift arm blacket		
43	04111-20158	COTTER PIN, gear shift arm blacke		
44	08113-62010	Bearing 6201C3		

FIG 3

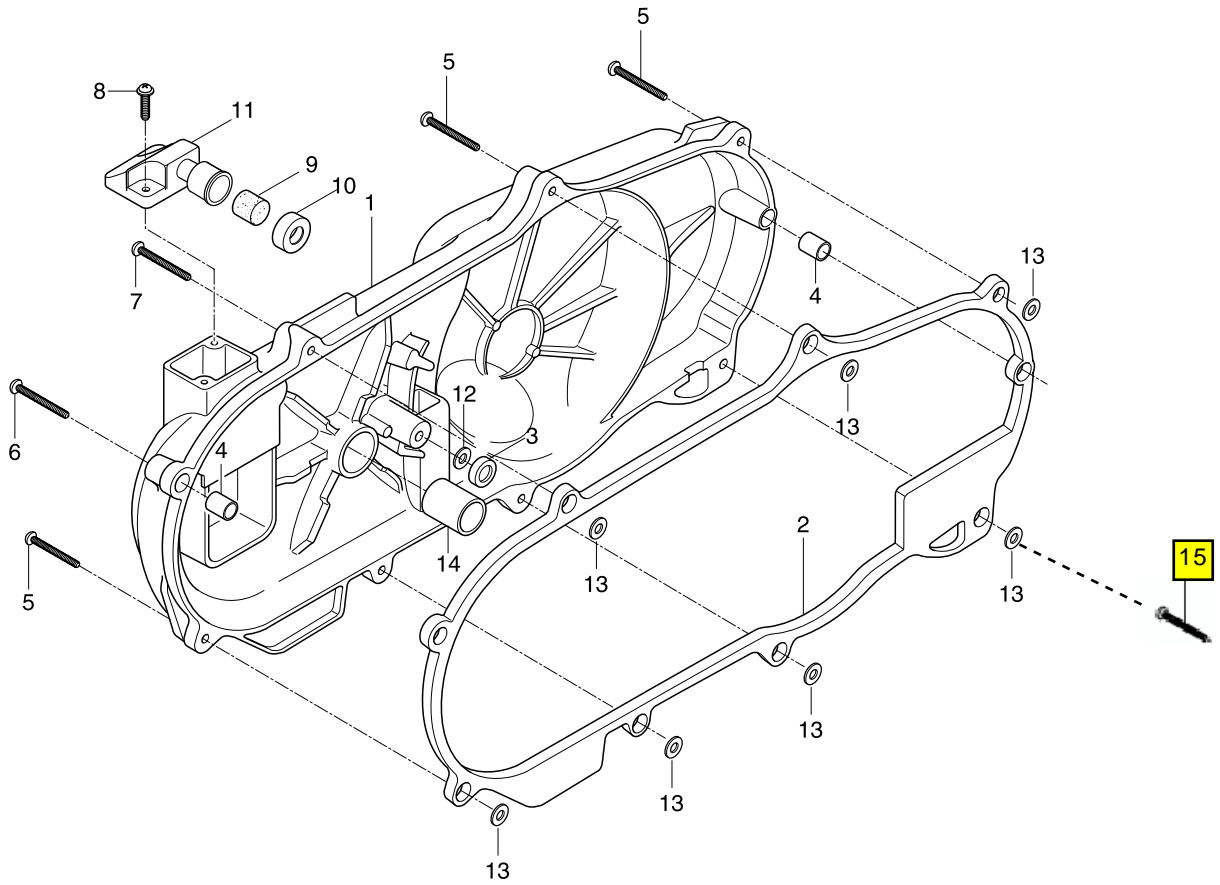


FIG 3. CLUTCH COVER

REF. PARTS NO.	DESCRIPTION	USAGE	REMARKS	REC.Q'TY
NO. RST01		(PCS)		(PCS)
1	11341HP4300999	COVER,clutch		1
2	11480HE7102	GASKET COMP,clutch cover		
3	11490HE7102	GASKET COMP,crank case R c		
4	04213-11169	PIN,clutch cover		
5	02112-06255	SCREW,clutch cover(M6*25)		6
6	02112-06455	SCREW,clutch cover(M6*45)		
7	02112-06605	SCREW,clutch cover(M6*60)		5
8	02142-06125	SCREW,crankcase cleaner(M6*1		
9	17213HE7110	FILTER,crankcase cleaner case		
10	17212HE7110	CAP,crankcase cleaner case		
11	17200HL4100	CASE,crankcase cleaner	(No11=No9+No10+No11)	
12	09180H12001	SPACER,clutch cover gasket No.2	NOT SALE	
13	09180H07001	SPACER,clutch cover gasket No.1	NOT SALE	
14	09300H14003	BUSH, kick start		
15	02112-06505	SCREW,clutch cover(M6*50)		

FIG 4

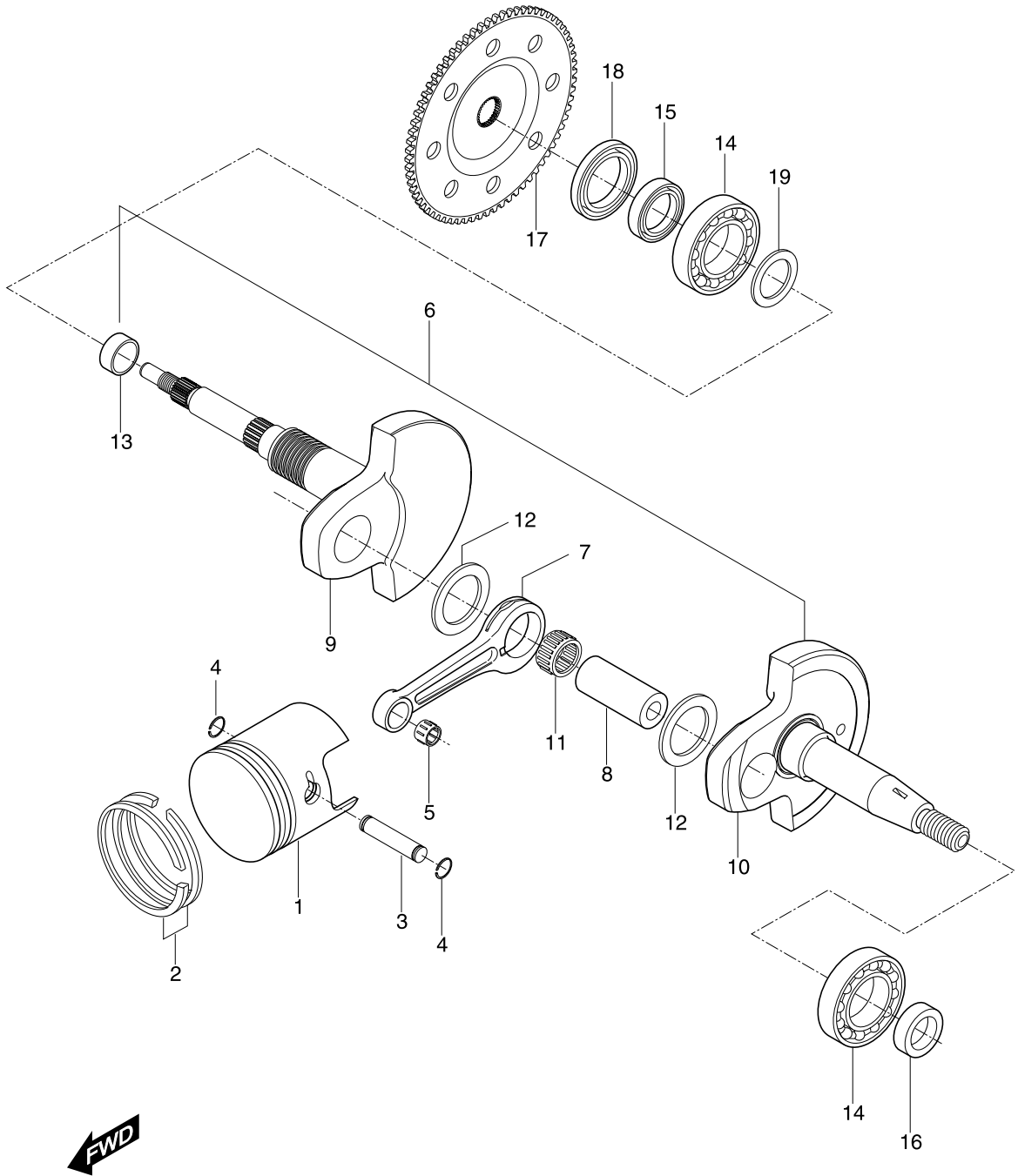
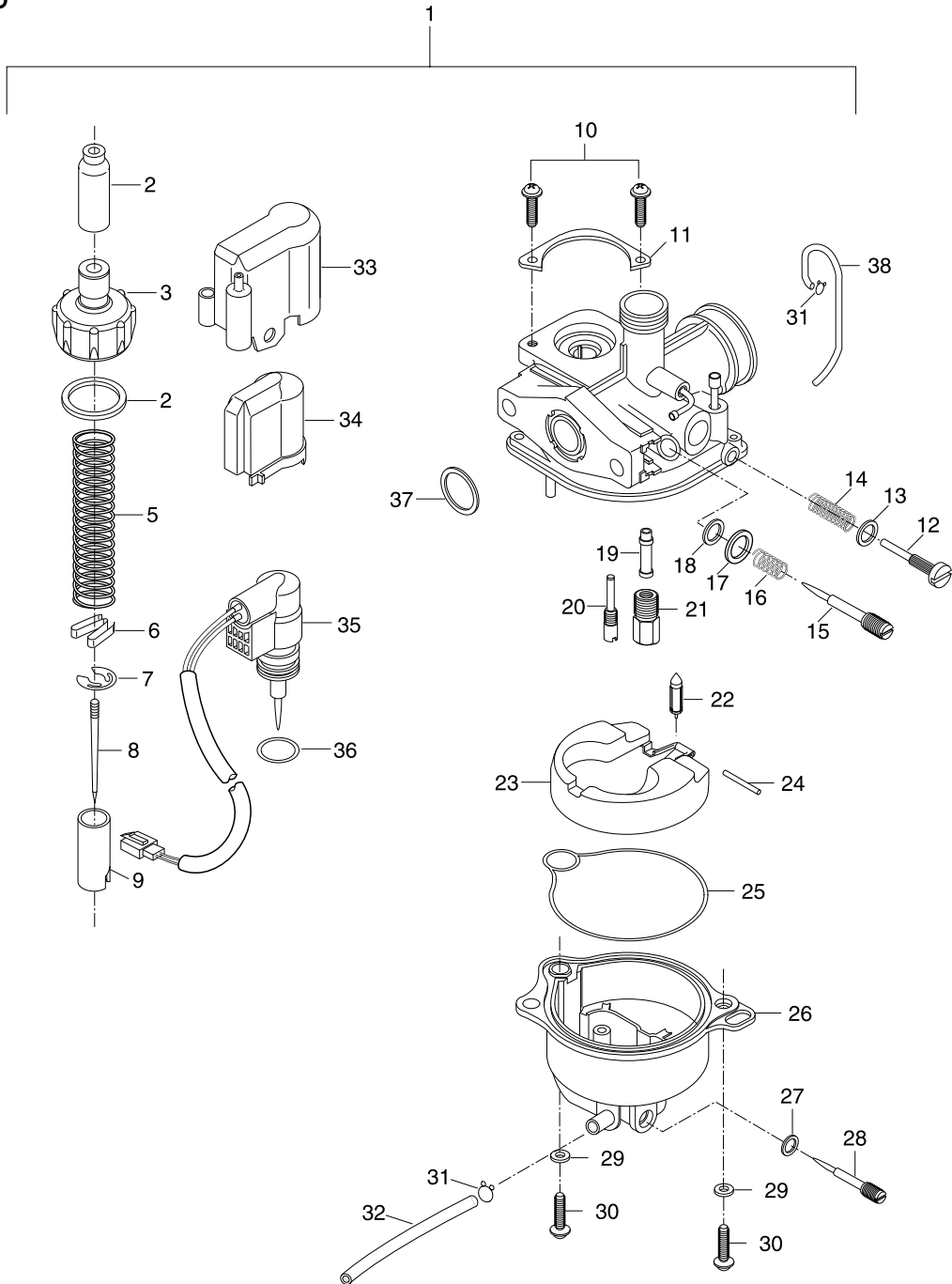


FIG 4. CRANK SHAFT

REF. PARTS NO. NO. RST01	DESCRIPTION	USAGE (PCS)	REMARKS	REC.Q'TY (PCS)
1	12111-41D00PSA	PISTON,comp	1	3
2	12141-35510	RING,piston	2	15
3	12151-35500	PIN,piston	1	5
4	09381-12001	CIRCLIP	2	10
5	09263H12004	BEARING,piston pin	1	
6	12200HP4300HPA	CRANKSHAFT,assy	1	
7	12161HE7100	CONNROD	1	3
8	12211HE7100	PIN,crank	1	2
9	12221HP4302CSA	CRANKSHAFT,R	1	
10	12261HE7100CSA	CRANKSHAFT,L	1	
11	09263H20002	BEARING,crank pin	1	
12	09160-20010	THRUST WASHER	2	
13	09180-18011	SPACER	1	
14	09262H250A2	BEARING,crankshaft	2	4
15	09283-25083	OIL SEAL,crankshaft R	1	
16	09283-17017	OIL SEAL,crankshaft L	1	
17	12622HE7101	GEAR,starter	1	
18	09284-24001	OIL SEAL	1	
19	09181-25057	SHIM,crankshaft R	1	

FIG 5

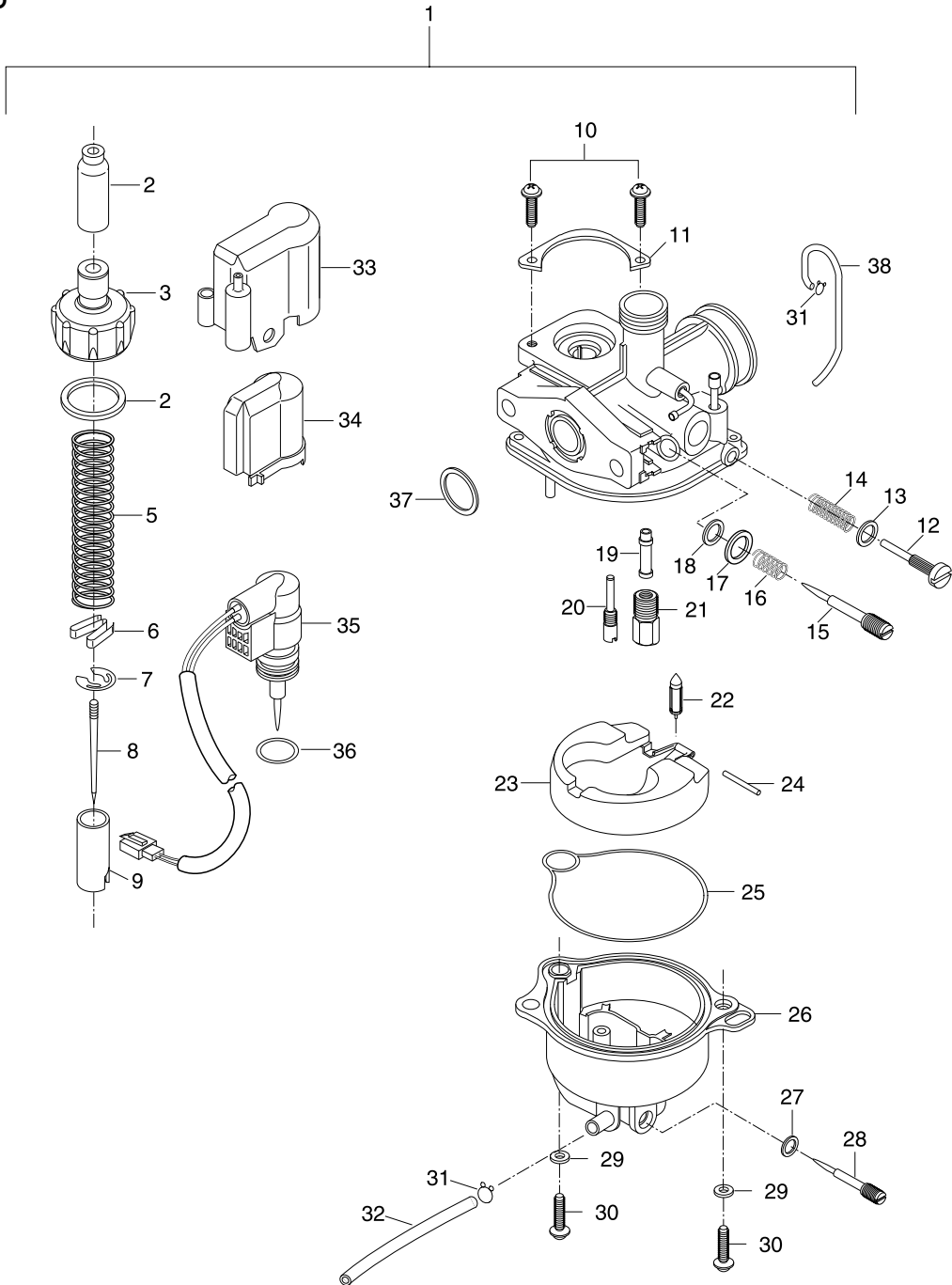


FWD

FIG 5. CARBURETOR

REF. PARTS NO. NO. RST01	DESCRIPTION	USAGE (PCS)	REMARKS	REC.Q'TY (PCS)
1	13200HN4700	CARBURETOR ASS'Y		1
2	13681HE7100	CAP,carburetor top		
3	13261HE7100	COVER,top		
4	13249HE7100	GASKET,top cover		
5	13573HE7100	SPRING,throttle valve		
6	13581HE7100	CLIP		
7	13533HE7100	E-RING,throttle valve		
8	13383HE7100	NEEDLE,jet		
9	13551HE7100	VALVE,throttle		
10	13601HE7100	SCREW		2
11	13610HE7100	RETAINER		1
12	13267HE7100	SCREW,throttle stop		1
13	13266HE7100	WASHER		1
14	13265HE7100	SPRING		1
15	13269HE7100	SCREW,pilot air		1
16	13268HE7100	SPRING		1
17	13606HE7100	WASHER		1
18	13295HE7100	O-RING		1
19	09494HE7100	JET,needle		1
20	09492HE7100	JET,pilot		1
21	09491HE7100	JET,main		1
22	13370HE7100	VALVE,needle		1
23	13250HE7100	FLOAT		1
24	13254HE7100	PIN,float		1
25	13258HE7100	GASKET		1
26	13245HE7100	BODY.float		1
27	13278HE7100	O-RING,drain screw		1
28	13247HE7100	SCREW,drain		1

FIG 5

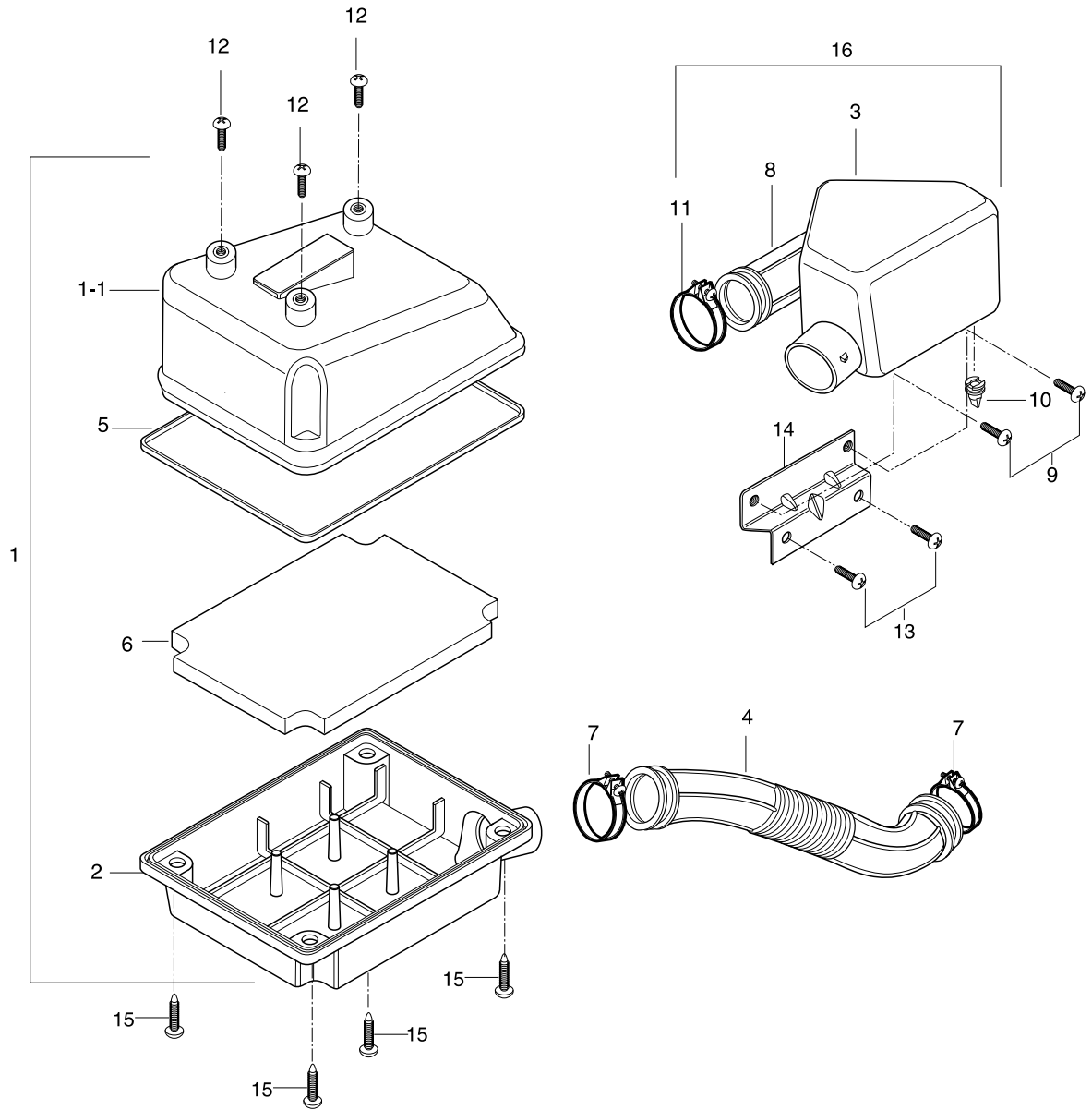


FWD

FIG 5. CARBURETOR

REF. PARTS NO.	DESCRIPTION	USAGE	REMARKS	REC.Q'TY
NO. RST01		(PCS)		(PCS)
29	08321HE7100	WASHER		2
30	02112-04148	SCREW(M4*14)		2
31	09401-08401	CLIP		2
32	13683HE7100	HOSE		1
33	13630HE7100	CAP,holder outer		1
34	13640HE7100	CAP,holder inner		1
35	13430HE7100	ELEMENT ASSY,thermo		1
36	13650HE7100	O-RING,element		1
37	13277HE7100	O-RING		1
38	13684HE7100	HOSE,air vent		1

FIG 6



FWD

FIG 6. AIR CLEANER

REF. PARTS NO. NO. RST01	DESCRIPTION	USAGE (PCS)	REMARKS	REC.Q'TY (PCS)
1	13700HK3104	CLEANER,assy air		3
1-1	13721HK3103	CASE,air cleaner		
2	13740HK3101	CAP,air cleaner		
3	13821HK3102	CHAMBER,air cleaner		
4	13831HK3101	TUBE, connecting		
5	13736HK3100	GASKET,air cleaner		
6	13781HK3100	FILTER,air cleaner		
7	09402-36207	CLAMP, tube connecting		
8	13881HK3100	TUBE, outlet		
9	02112-06168	SCREW,air cleaner chamber(M6)		
10	13861HE7100	TUBE, drain		
11	09402-34207	CLAMP, outlet tube		
12	02112-16166	SCREW,air cleaner(M6*16)		
13	02142-05128	SCREW(M5*12)		
14	13830HL4100	BRACKET,air cleaner chamber	NOT SALE	
15	03142-05169	SCREW(M5*16)		
16	13820HL4100	CHAMBER,assy air cleaner		

FIG 7

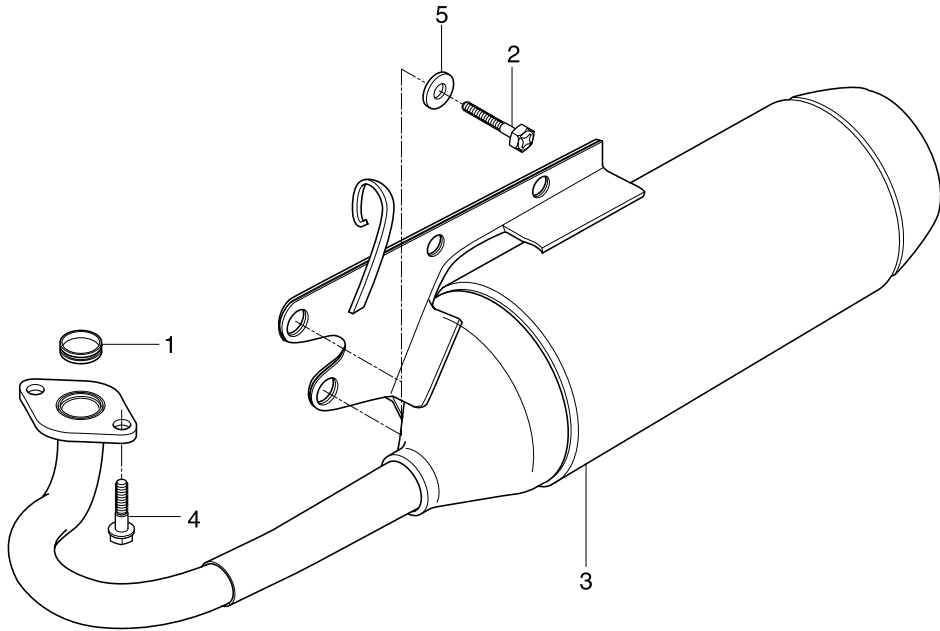
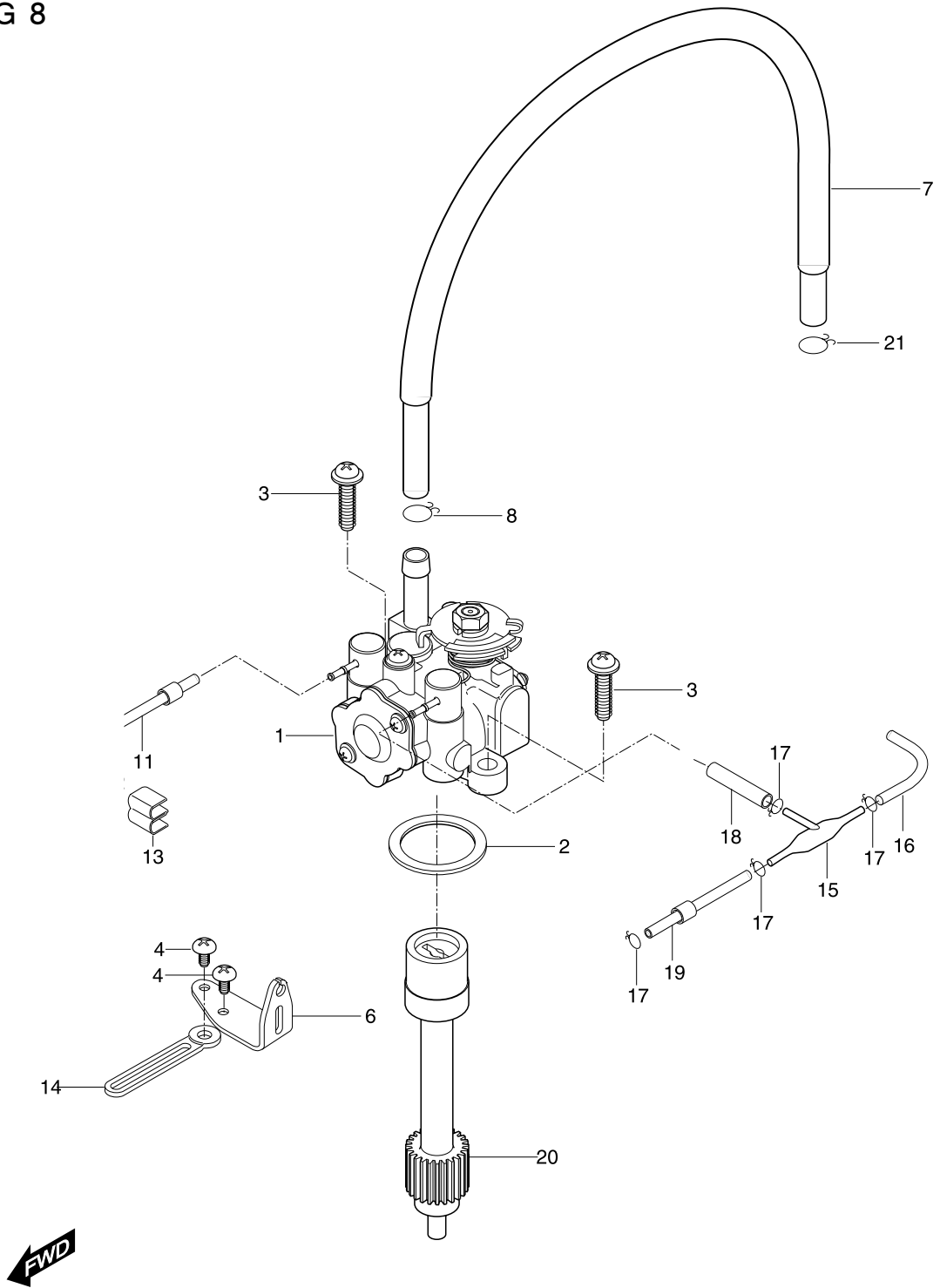


FIG 7. MUFFLER

REF. PARTS NO.	DESCRIPTION	USAGE	REMARKS	REC.Q'TY
NO. RST01		(PCS)		(PCS)
1	14181-41D00	GASKET,exhaust pipe(NA)	1	
2	01177-08268	BOLT,muffler support bracket(N	2	
3	14310HP4301PAM	BODY COMP,muffler	1	2
3~A	14310HP4302PAM	BODY COMP,muffler	1	2
4	09128-08001	BOLT,exhaust pipe	2	
5	08321-31088	SPRING WASHER,exhaust	2	

FIG 8



FWD

FIG 8. OIL PUMP

REF. PARTS NO.	DESCRIPTION	USAGE	REMARKS	REC.Q'TY
NO. RST01		(PCS)		(PCS)
1	16000-41D06	PUMP,assy oil	1	4
2	09280H20002	O-RING,oil pump	1	
3	02112-35168	SCREW,oil pump(M5*16)	2	10
4	02112-06128	SCREW,oil pump cable bracket(2	
6	16631HE7101	BRACKET,oil pump cable adjus	1	
7	16821HK3100	HOSE,oil No.1	1	
8	09401-10401	CLIP	2	
11	16831H11200	HOSE,oil No.2(L=170)	1	
13	09408-00066	CLAMP,oil hose No.2	1	
14	09404-06401	CLAMP	1	
15	09367-03001	JOINT, oil hose No2	1	
16	09352-20503080	HOSE,oil(L=80)	1	
17	09401-04401	CLIP,oil hose No.2	4	
18	09352-20503025	HOSE,oil(L=25)	1	
19	16831HE7102200	HOSE,oil No.2(L=200)	1	
20	16331-37B00	GEAR,oil pump driven	1	
21	09401-10401	CLIP,oil hose No.1	1	

FIG 9

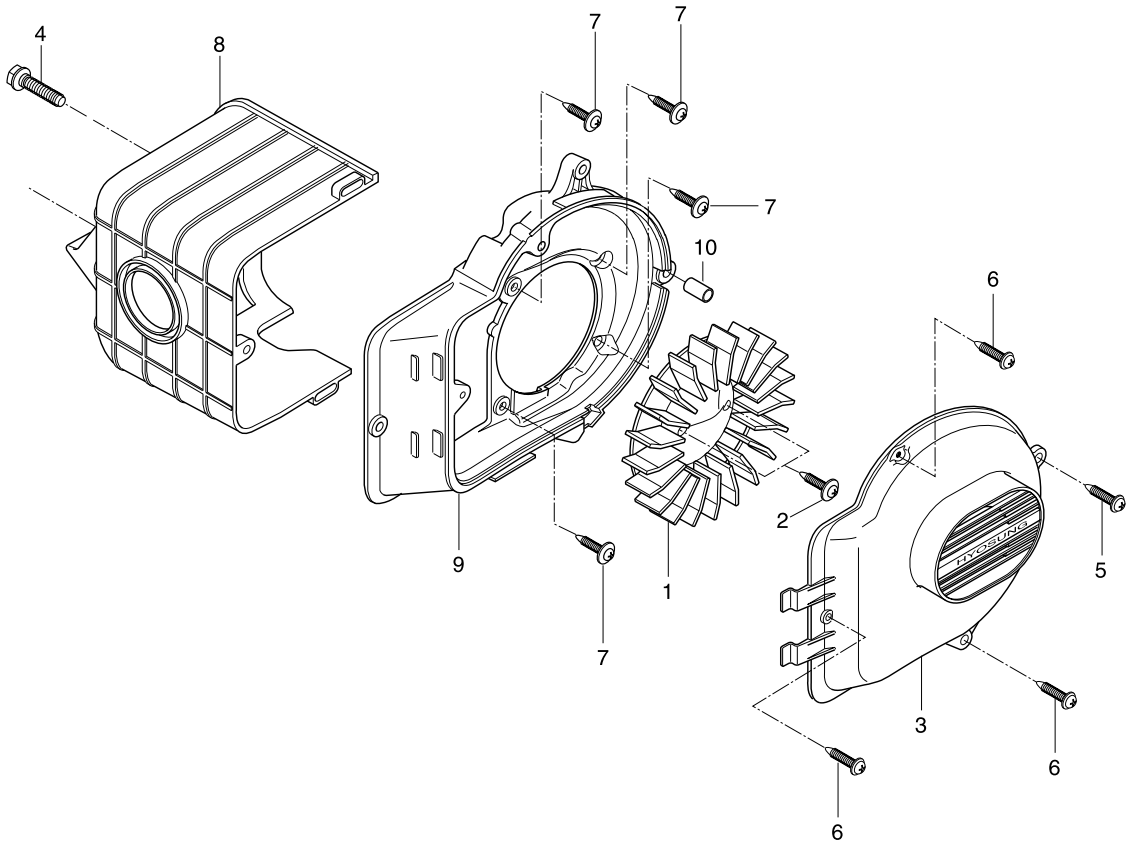


FIG 9. COOLING FAN

REF. PARTS NO.	DESCRIPTION	USAGE	REMARKS	REC.Q'TY
NO. RST01		(PCS)		(PCS)
1	17110-04C00	FAN COMP,cowling	1	1
2	02152-06128	SCREW,cooling fan(M6*12)	2	8
3	17131HE7100	COWLING,fan	1	2
4	02112-96168	SCREW,cylinder cowling(M6*2	1	
5	03141-06305	SCREW,cowling fan(M6*30)	1	
6	03151-06208	SCREW,cowling fan(M6*20)	3	4
7	02112-06168	SCREW,fan case(M6*16)	4	
8	17120HE7104	COWLING COMP,cylinder	1	2
9	17140HL4100	CASE COMP,fan	1	2
10	17146HF1601	SPACER,fan case	1	

FIG 10

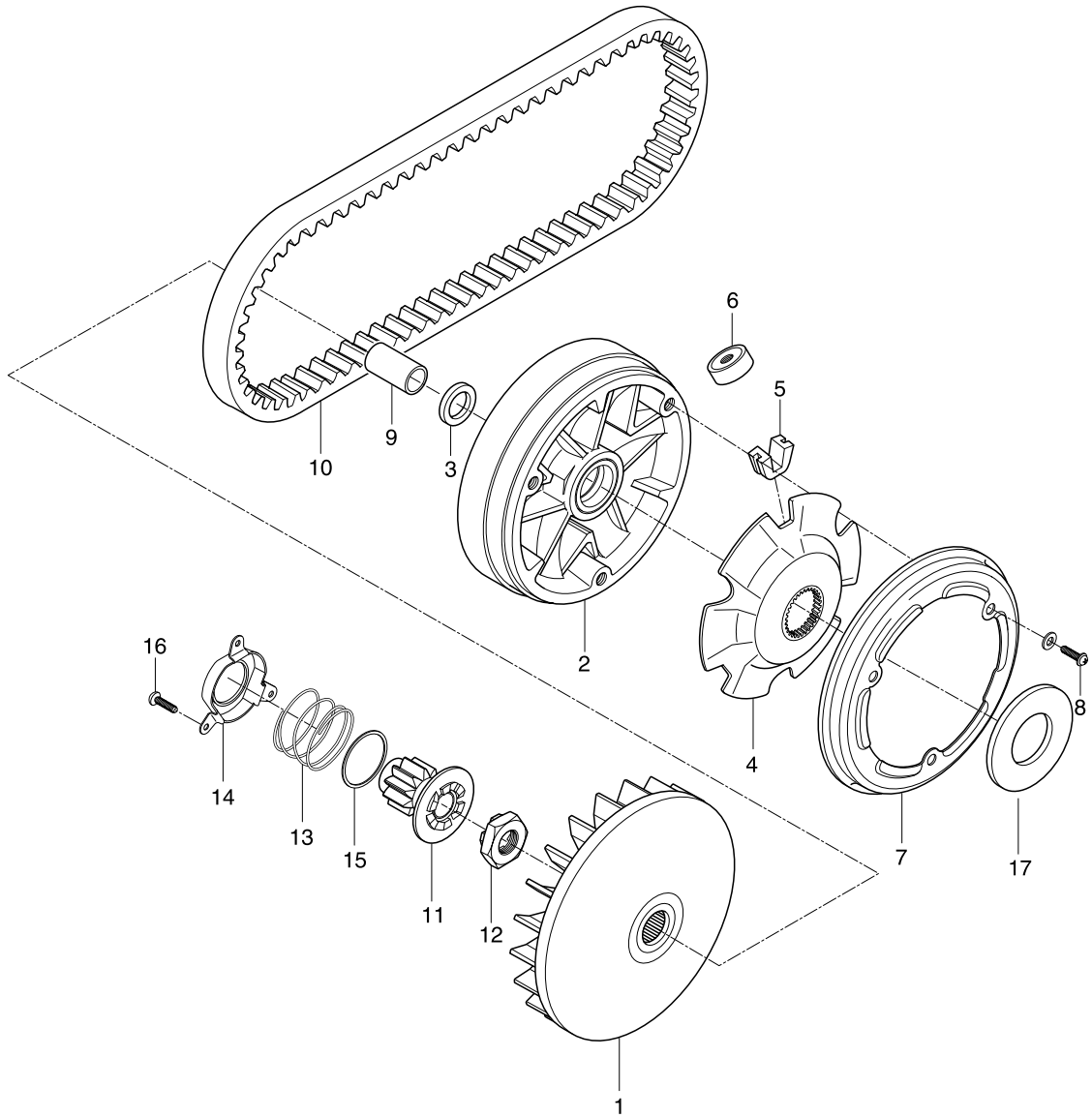


FIG 10. TRANSMISSION(1)

REF. PARTS NO.	DESCRIPTION	USAGE	REMARKS	REC.Q'TY
NO. DOMESTIC		(PCS)		(PCS)
1	21110HE7102	FACE, fixed drive		3
2	21120HP5301	FACE, movable drive		3
3	09284-22003	OIL SEAL, movable drive	NOT SALE	
4	21431HE7100	PLATE, movable drive		
5	21481HE7100	DAMPER, movable drive		1
6	21650HF4500HPA	ROLLER COMP, movable drive		18
7	21122-37B01	COVER, movable drive		
8	02142-04088	SCREW, movable drive(M4*8)		
9	09180H16023	SPACER, movable drive		
10	27601HE7100	V-BELT, drive		4
11	26280HP4300	GEAR, kick starter		
12	26282HE7100	NUT, kick starter driven gear		
13	09440-33003	SPRING, kick driven gear		
14	26283-41D02	HOLDER, k/st drvn gear spring		
15	26284-41D00	W/S, k/st drvn gear spring		
16	02112-74108	SCREW		3
17	09160-18009	SPACER, movable drive plate		1

FIG 11

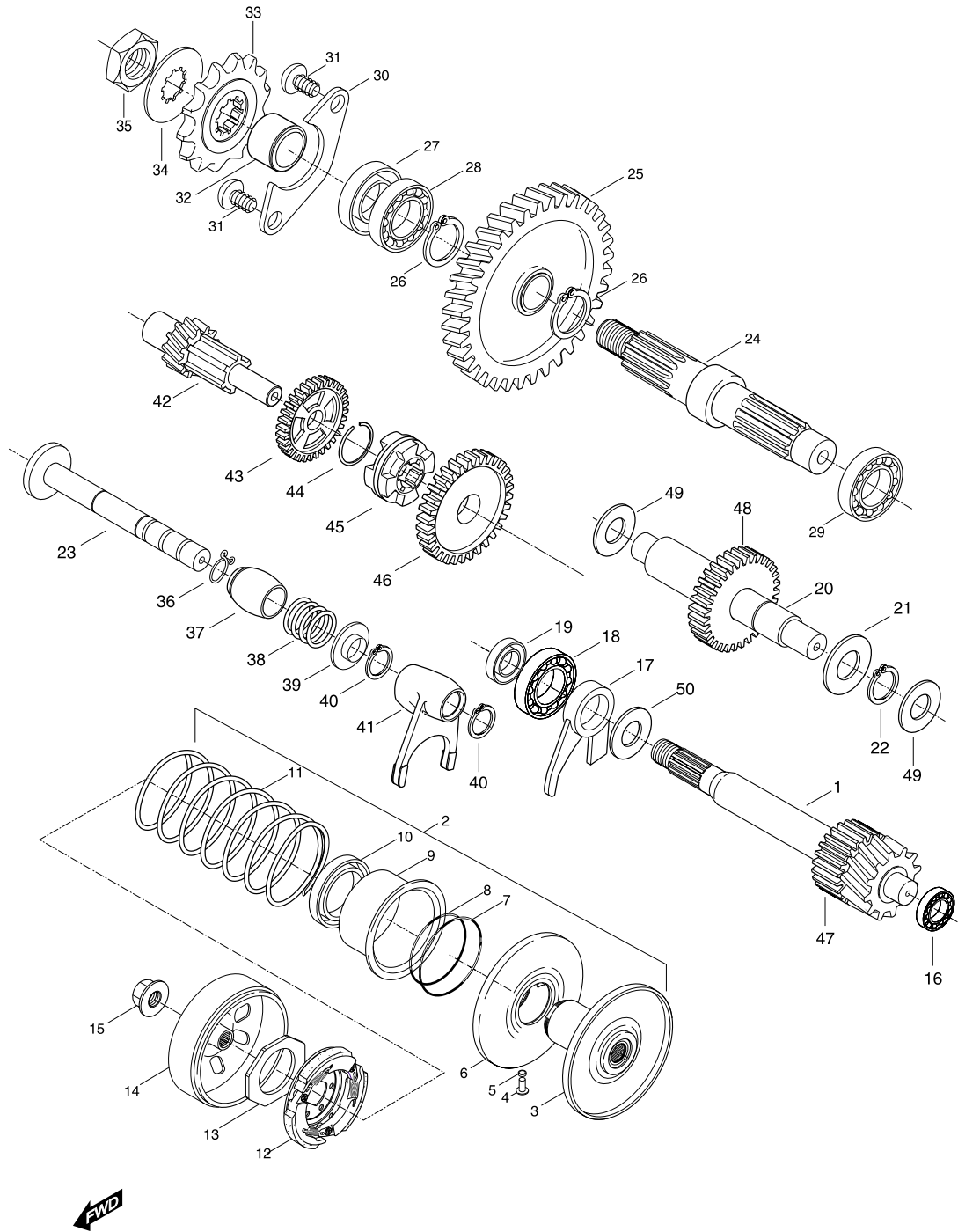


FIG 11. TRANSMISSION(2)

REF. PARTS NO.	DESCRIPTION	USAGE	REMARKS	REC.Q'TY
NO. RST01		(PCS)		(PCS)
1	24131HP4301	SHAFT,drive(14T)		1
2	21091HE7101	PULLEY ASS'Y,driven		
3	21210HE7101	FACE,fixed driven		
4	09201H05002	PIN,movable driven		
5	09180H05002	SPACER		
6	21240HE7101	FACE,movable driven		
7	09280H38002	O-RING		
8	09280H36002	O-RING		
9	21471HE7100	SHEET,movable driven		
10	09284H34001	OIL SEAL		
11	09440H54002	SPRING, driven face		
12	21501HL4100	CLUTCH ASS'Y,,shoe(NA)		
13	09140H28004	NUT(M28)		
14	21220HE7102	HOUSING COMP,clutch		
15	08316-26108	NUT,cluch housing(M10)		
16	09263H16002	BEARING, idle shaft L		
17	25520HP4303	PLATE COMP, gear shift lock		
18	09262H17001	BEARING, idle shaft R		
19	09283H17003	OIL SEAL, drv shaft		
20	24551HP4301	SHAFT, reverse idle		
21	08211-10181	WASHER, reverse idle gear		
22	08331-31109	CIRCLIP, reverse idle gear		
23	25511HP4303	SHAFT, gear shift		
24	24141HP4301	SHAFT,rear axle		1
25	24371HP4302	GEAR,final driven		

FIG 11

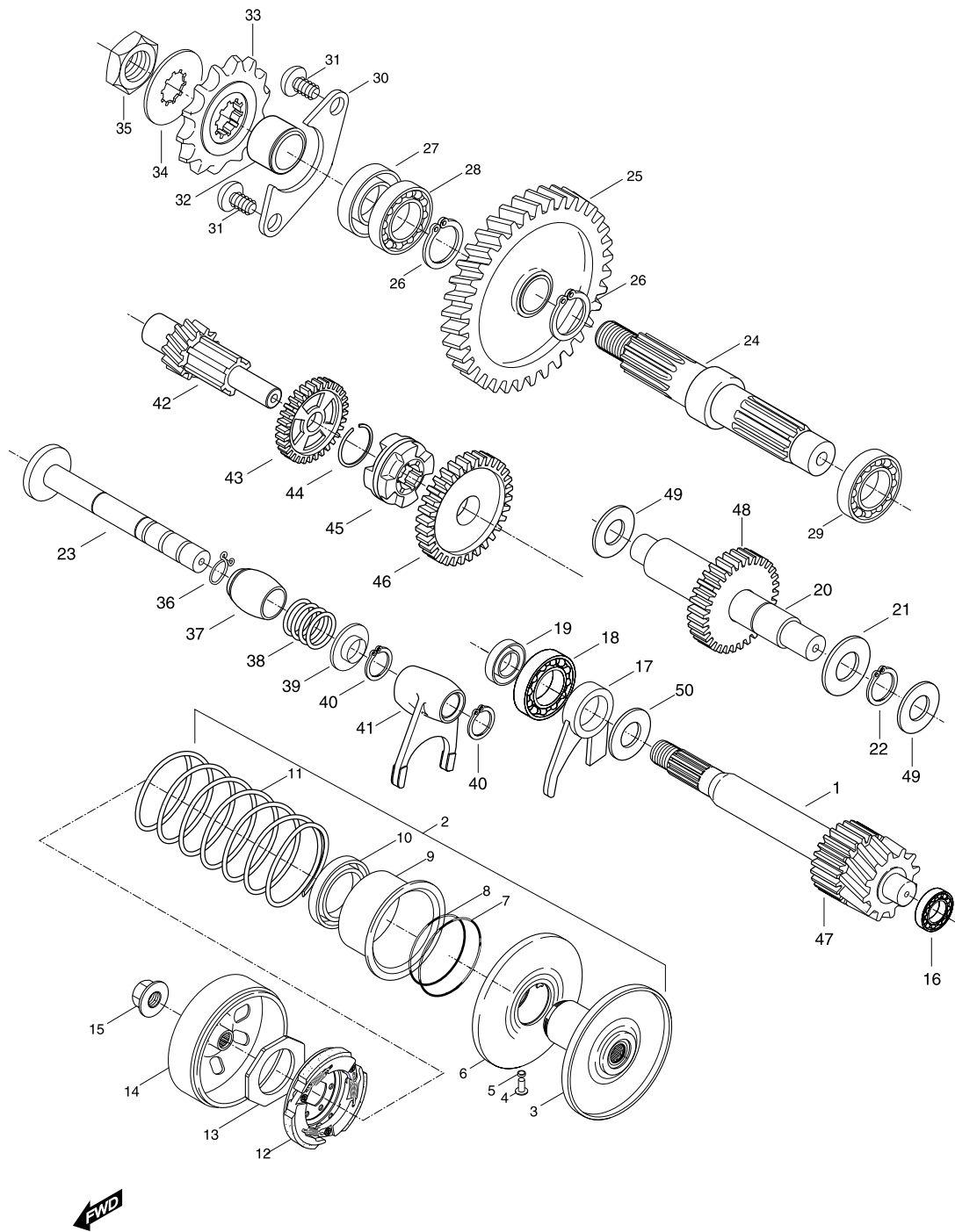


FIG 11. TRANSMISSION(2)

REF. PARTS NO.	DESCRIPTION	USAGE	REMARKS	REC.Q'TY
NO. RST01		(PCS)		(PCS)
26	08331-31229	CIRCLIP,final driven gear		2
27	09283-27010	O-SEAL, axle shaft L		1
28	08130-62047	BEARING,axle shaft L		1
29	08110-62030	BEARING,axle shaft R		1
30	24751H07900	RETAINER,axle bearing		1
31	02122-06168	SCREW,bearing fetainer(M6*16		2
32	27531HL4100	SPACER,rear axle shaft		1
33	27511HP4300	SPROCKET,engine(17T)		1
34	09167-20006	WASHER,engine sprocket knock		1
35	09140-16017	NUT,engine sprocket		1
36	09401H16402	CIRCLIP		1
37	09289H16001	DUST SEAL		1
38	09440H13002	SPRING, gear shift return		1
39	09169H10001	WASHER, dust seal		1
40	08331-31109	CIRCLIP		2
41	25211HP4300	FORK, gear shift		1
42	24151HP4302	SHAFT, idle		1
43	24571HP4302888	GEAR, reverse driven		1
44	09380-17007	CIRCLIP, reverse driven gear		1
45	24581HP4301	WHEEL, sliding dog		1
46	24381HP4300	GEAR, idle driven		1
47	24132HP4302	GEAR, reverse drive		1
48	24561HP4301	GEAR, reverse idle		1
49	08211-08141	WASHER, reverse idle shaft		1
50	08211-17261	WASHER, 1st drn gear thrust		1

FIG 11-1

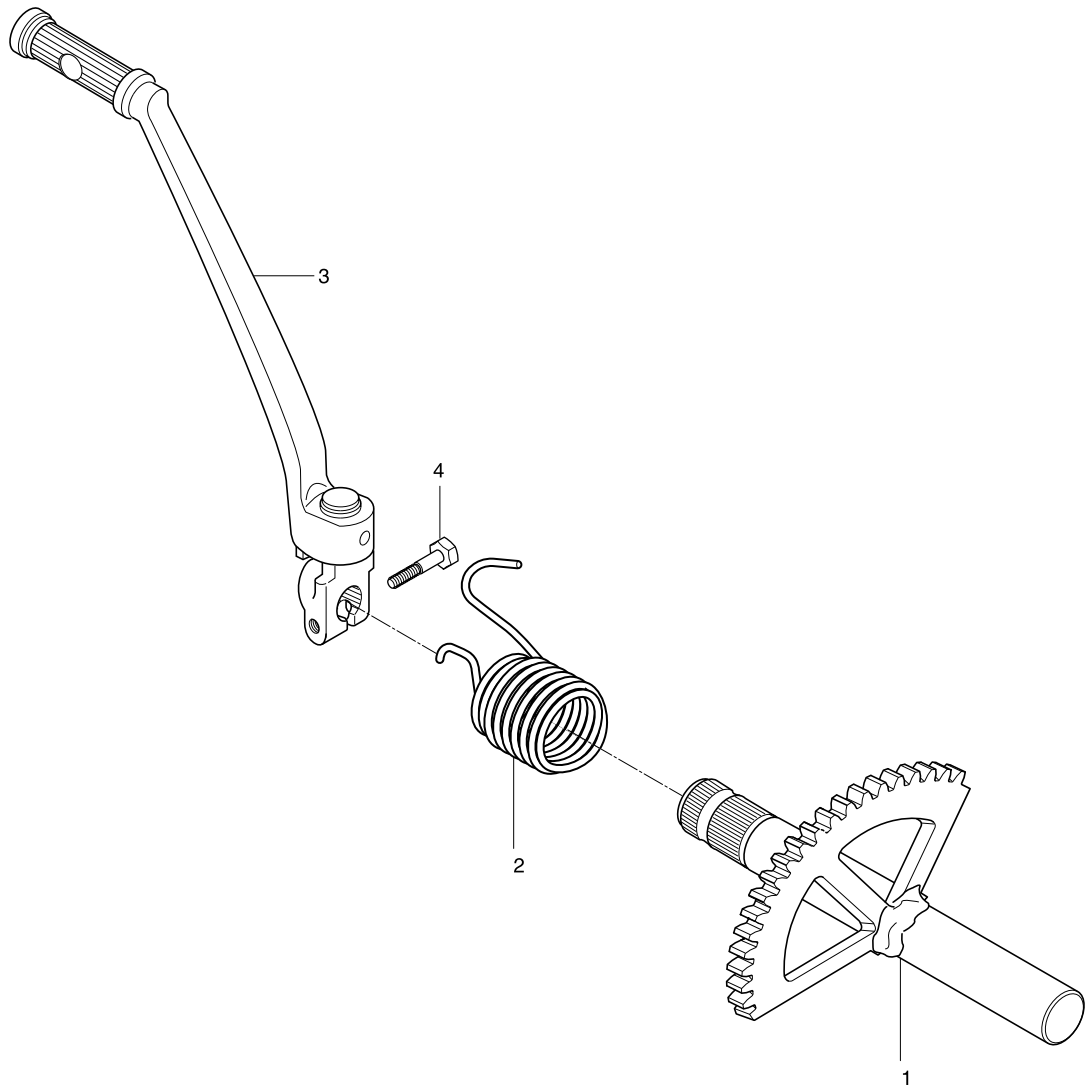


FIG 11-1. KICK STARTER

REF. PARTS NO.	DESCRIPTION	USAGE	REMARKS	REC.Q'TY
NO. RST01		(PCS)		(PCS)
1	26210HP4300	SHAFT, kick starter		1
2	09448H30016	SPRING, kick starter shaft		1
3	26300HP4300	LEVER ASS'y, kick starter		1
4	01107-06208	BOLT, kick starter lever		1

FIG 12

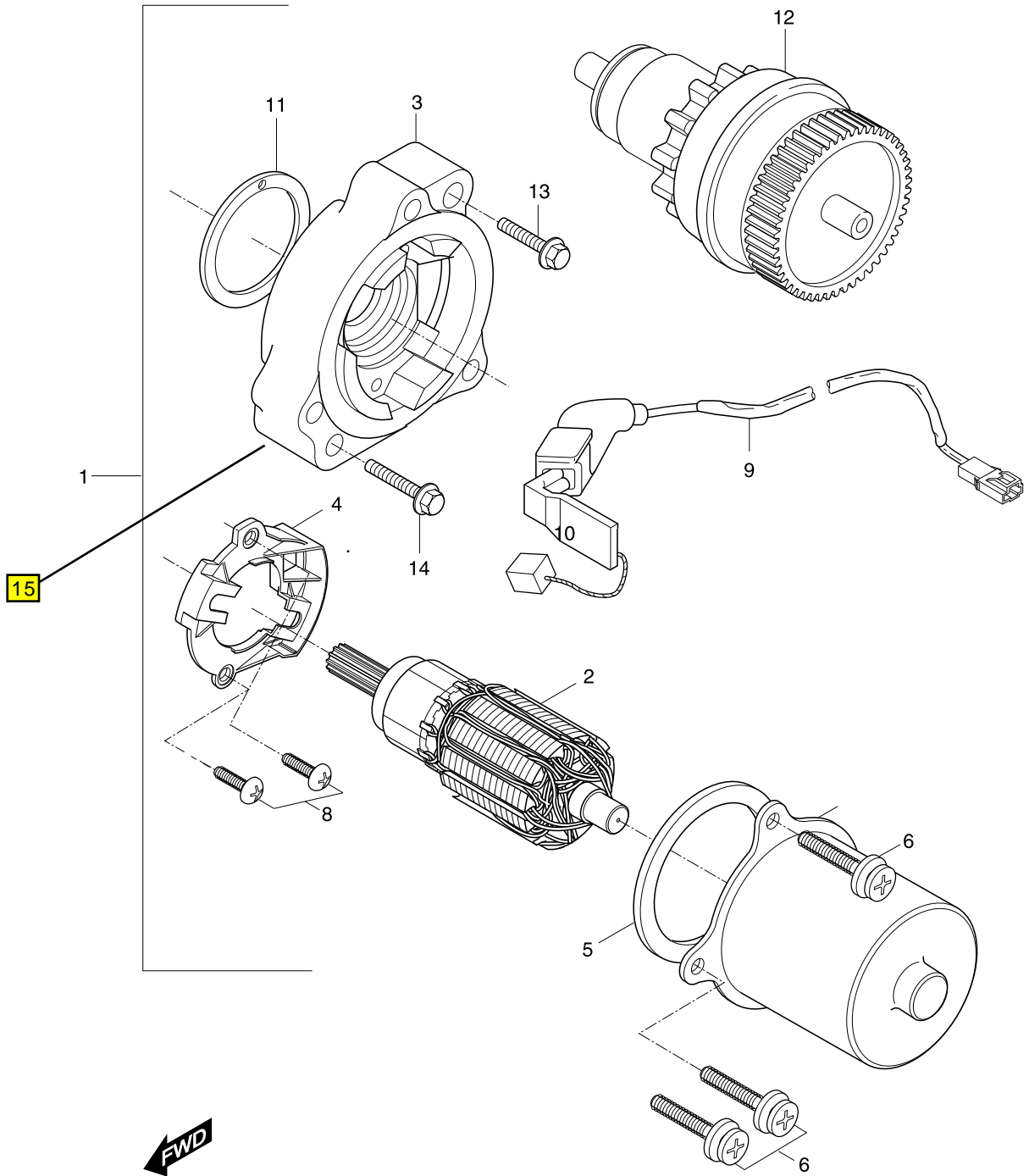


FIG 12. STARTING MOTOR

REF. PARTS NO.	DESCRIPTION	USAGE	REMARKS	REC.Q'TY
NO. RST01		(PCS)		(PCS)
1	31100HE7100	MOTOR ASS'Y,starting		4
2	31311-04C01	AMATEUR		
3	31175-04C00	FRAME		
4	31130-04C00	BURSH SET		
5	31157-02540	GASKET		
6	02112-35166	SCREW(M5*16)		
7	31135-05B00	SPRING,brush		
8	02112-06308	SCREW(M6*30)		5
9	31142-41A00	WIRE,lead		
10	31120-04C00	COVER,starting motor		
11	31156-05B00	O-RING		
12	31370HE7100	PINION ASS'Y,starting motor		5
13	02112-36308	SCREW,starting motor		
14	02112-36358	SCREW,starting motor		5
15	09404-06401	CLAMP		

FIG 13

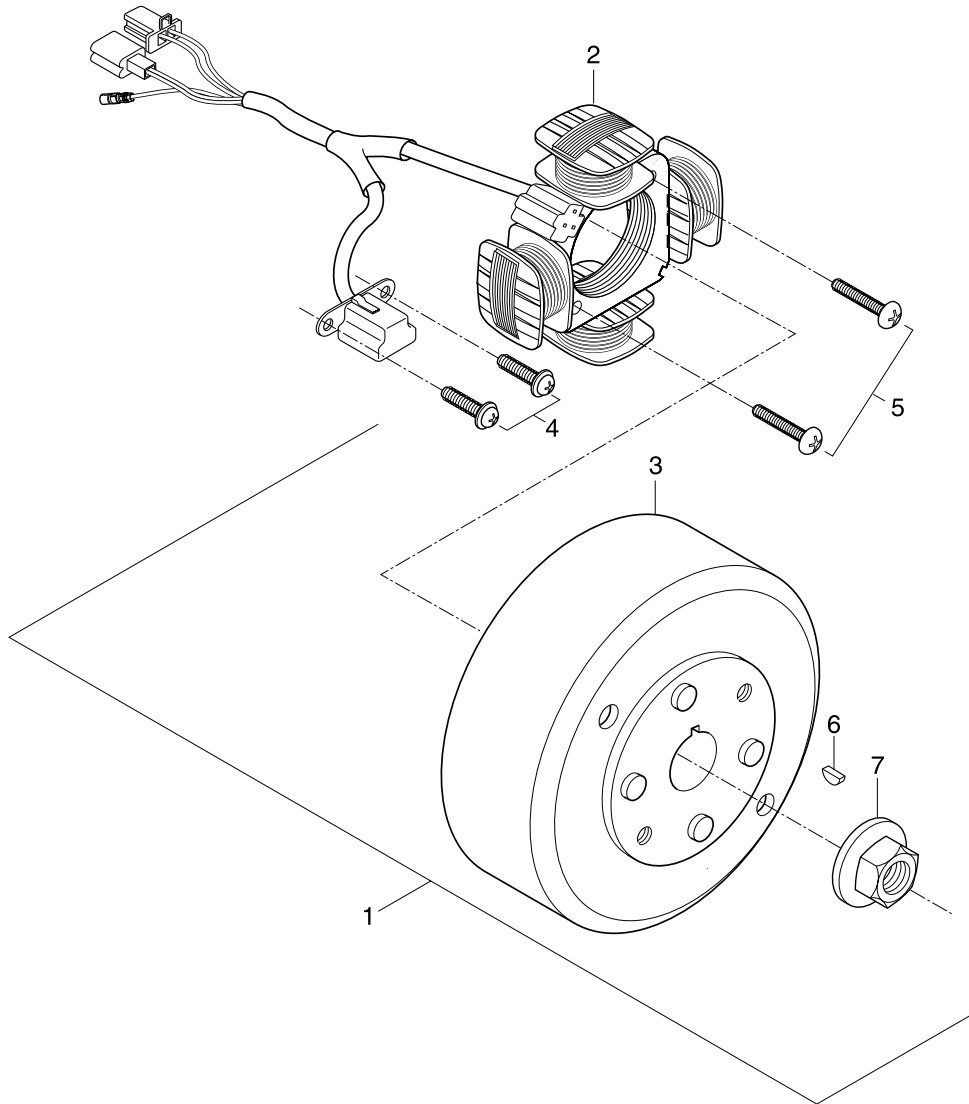


FIG 13. MAGNETO

REF. PARTS NO.	DESCRIPTION	USAGE	REMARKS	REC.Q'TY
NO. RST01		(PCS)		(PCS)
1	32100HE7100	MAGNETO,assy	1	5
2	32101HE7100	STATOR,assy	1	
3	32102HE7100	ROTOR,assy	1	
4	02112-05108	SCREW,pulser coil(M5*10)	2	
5	02112-96168	SCREW,magneto stater	2	
6	08341-31039	KEY,magneto	1	
7	09316-26108	NUT,magneto fly wheel(M10)	1	

FIG 14

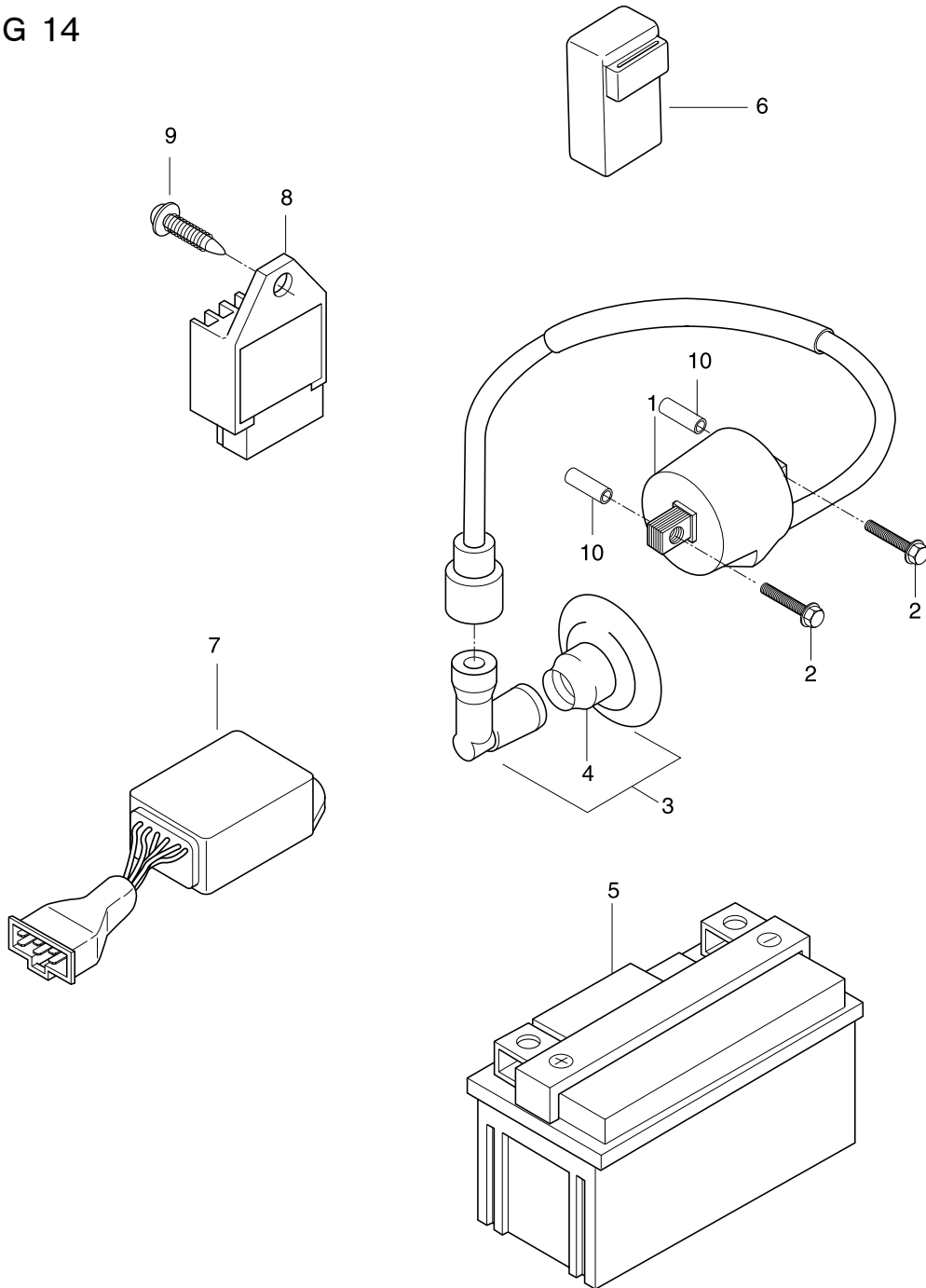


FIG 14. ELECTRICAL

REF. PARTS NO.	DESCRIPTION	USAGE	REMARKS	REC.Q'TY
NO. RST01		(PCS)		(PCS)
1	33410HK3101	COIL ASS'Y, ignition	1	2
2	01517-06308	BOLT,ignition coil(M6*30)	2	
3	33510H11200	CAP,spark plug	1	3
4	33543H11200	BOOT,spark plug, cap	1	
5	33610-40B12	BATTERY ASS'Y,(STX5L-BS)	1	7
6	31800-41D00	RELAY,starting motor	1	5
7	32900H41D10	CDI,unit	1	5
8	32800-36C20	RECTIFIER,assy	1	5
9	02112-06168	SCREW,(M6*16)	1	
10	09180-06030	SPACER,ignition coil	2	

FIG 15

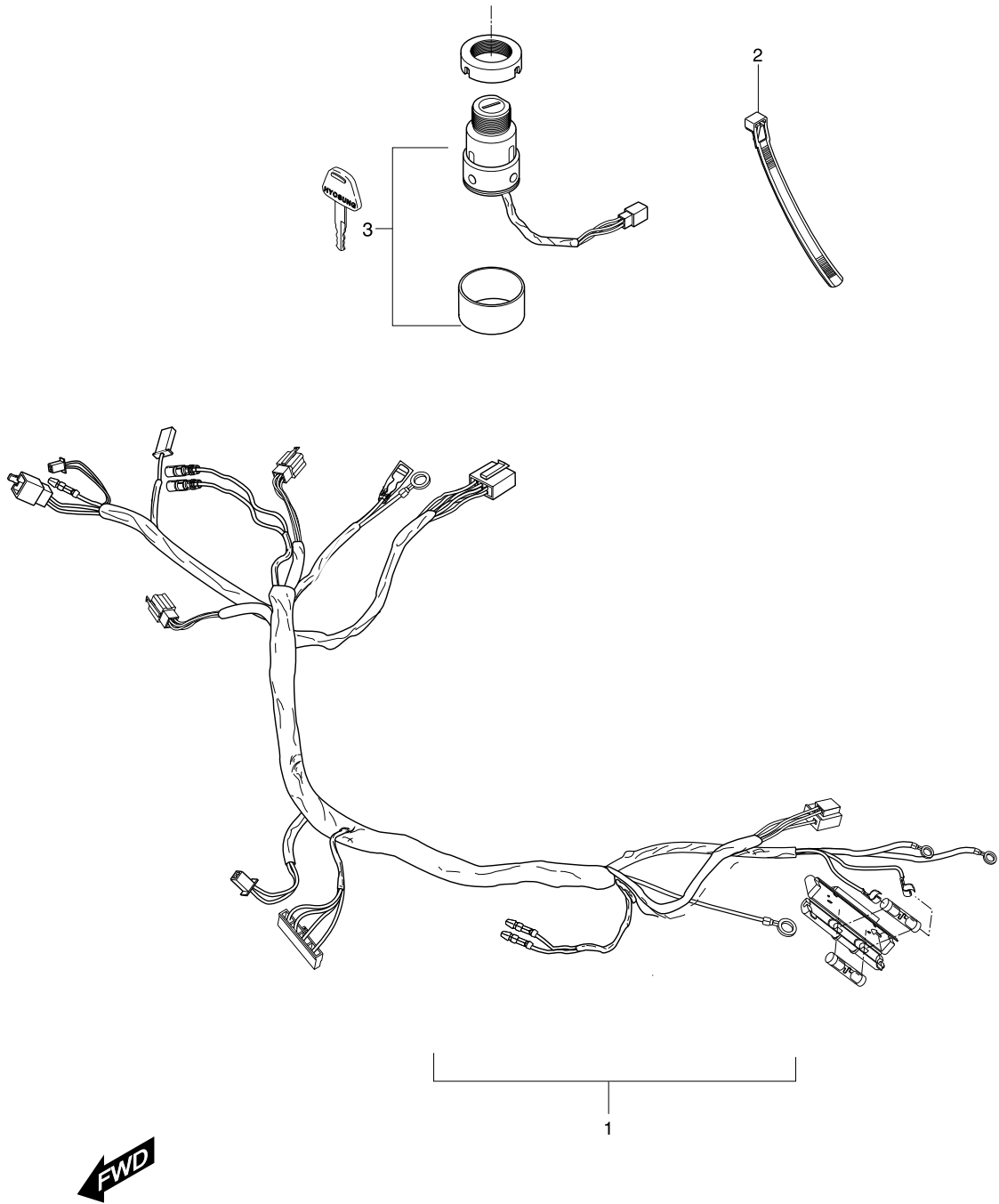


FIG 15. WIRING HARNESS

REF. PARTS NO.	DESCRIPTION	USAGE	REMARKS	REC.Q'TY
NO. RST01		(PCS)		(PCS)
1	36610HP4300	WIRING HARNESS		2
2	09407-14403	CLAMP,wiring harness		
3	37110-25319	SWITCH ASS'Y, steering		5
4	37115H05300	BRACKET, ignition switch		

FIG 16

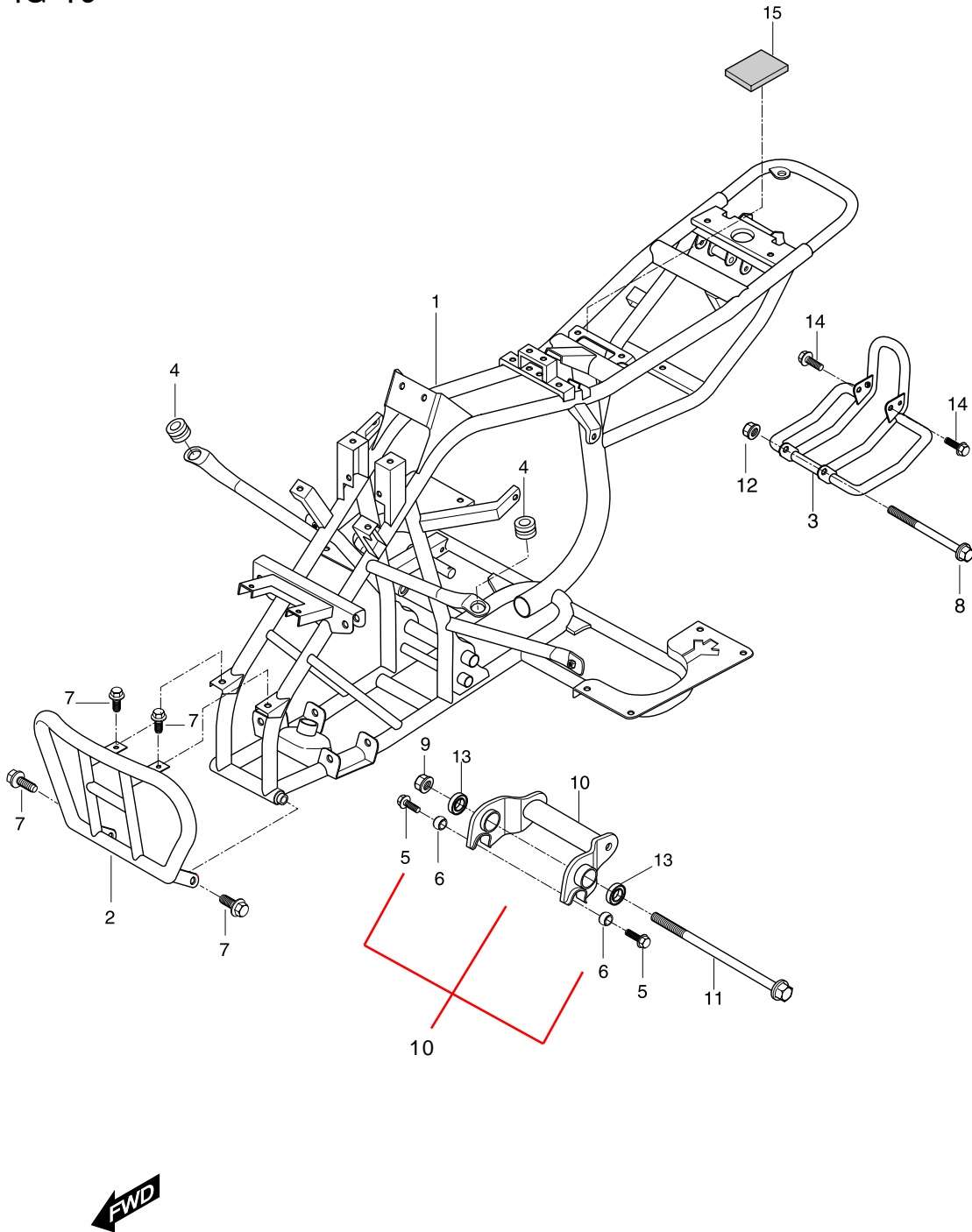


FIG 16. FRAME

REF. PARTS NO.	DESCRIPTION	USAGE	REMARKS	REC.Q'TY
NO. RST01		(PCS)		(PCS)
1	41100HN470103P	FRAME,comp		1
2	43990HK310303P	GRIP COMP, front		
3	61390HL4103120	GUARD COMP, under		
4	09320-11008	CUSHION,front fender R/L		
5	01517-10306	BOLT(M10,L=30)		
6	09320-10023	CUSHION,swing stop		
7	01517-06166	BOLT,front grip(M6*16)		
8	09103H10022	BOLT,under guard front(M10*16)		
9	08319-31126	NUT,engine mounting(M12)		
10	61110HL4100HPA	LINK COMP,engine mounting		2
11	09103H12047	BOLT,engine mounting(M12*21)		
12	08316-26106	NUT,under guard front(M10)		
13	09319-12036	BUSH,engine mounting		
14	01517-08166	BOLT,under guard rear(M8*16)		
15	44281-29C00	CUSHION,oil tank lower(30*30)		

FIG 17

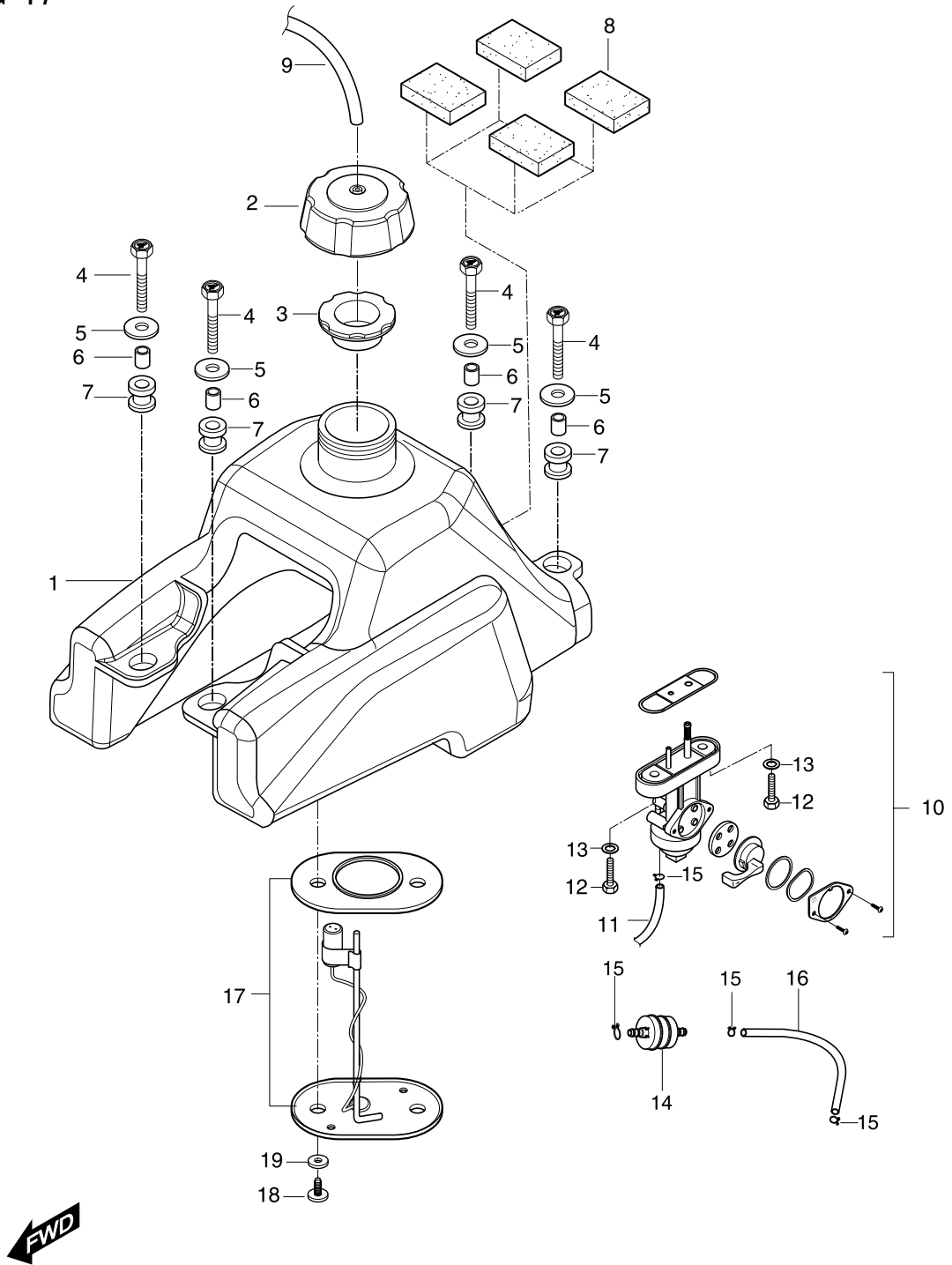


FIG 17. FUEL TANK

REF. PARTS NO.	DESCRIPTION	USAGE	REMARKS	REC.Q'TY
NO. RST01		(PCS)		(PCS)
1	44110HK3151	TANK COMP,fuel		1
2	44210HG5801	CAP,fuel tank filler		
3	44248-05210	GASKET,fuel tank filler cap		
4	01107-06256	BOLT,fuel tank(M6*25)		
5	09160-06004	WASHER,fuel tank(ø24*T1.6)		
6	09180H06069	SPACER,fuel tank(ø14*ø6.5*H7		
7	09320H10038	CUSHION,fuel tank		
8	46416HE6100	CUSHION,fuel tank lower(40*2:		
9	09343-05052	HOSE,fuel tank brth(L=580)		
10	44300HG5802	COCK ASS'Y, fuel		4
11	44199HJ8200	HOSE,fuel strainer inlet(L=70)		
12	09128-06005	BOLT,fuel cock(M6*16)		
13	09168-06010	GASKET,fuel cock		
14	44910HG2600	STRAINER COMP, fuel		
15	09401-08401	CLIP,fuel hose No.1 & No.2		
16	44199HJ8200	HOSE,fuel strainer outlet(L=110		
17	34810HP4301	GAUGE ASS'y, f/lev		
18	09128-06042	SCREW, leg lower f/t		
19	09168-06010	GASKET, fuel level		

FIG 18

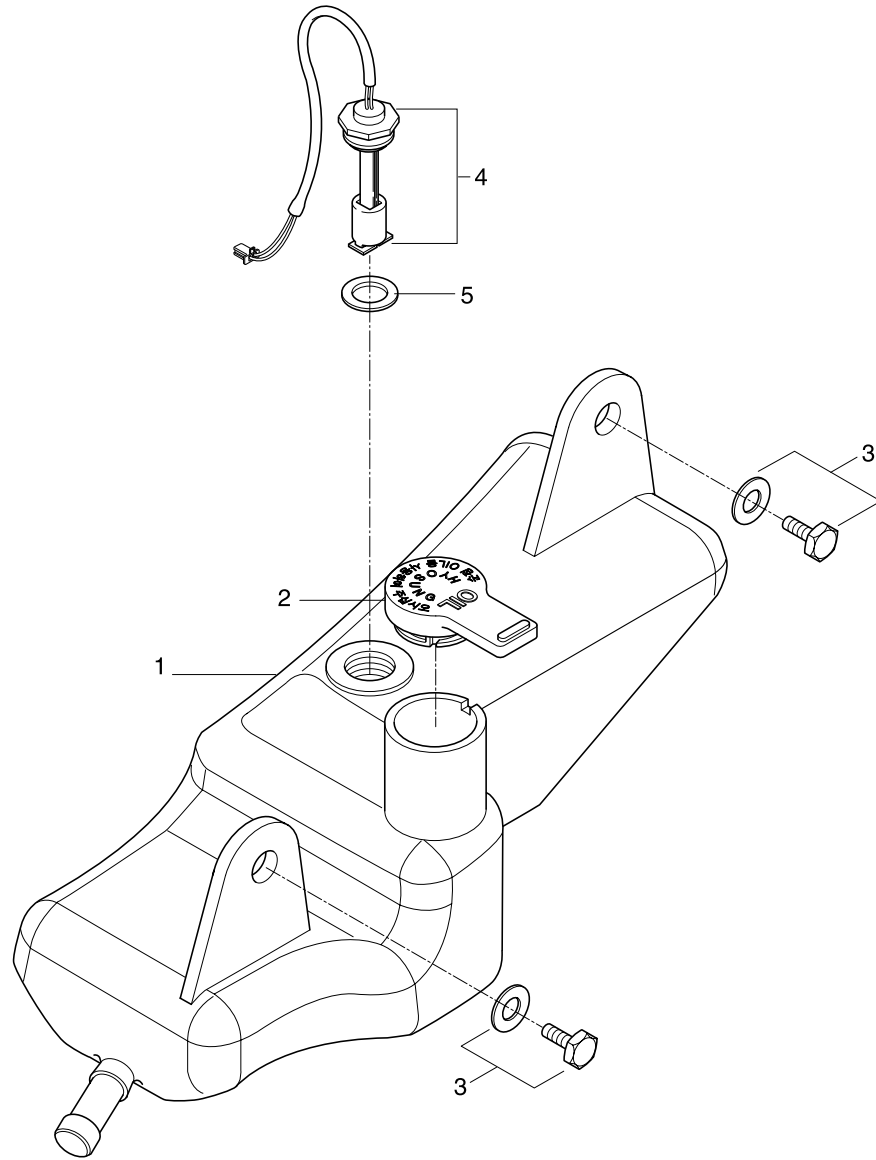


FIG 18. OIL TANK

REF. PARTS NO. NO. RST01	DESCRIPTION	USAGE (PCS)	REMARKS	REC.Q'TY (PCS)
1	44610HP4300	TANK,oil	1	3
2	44651HG2600	CAP,oil tank filler	1	
3	09116-06010	BOLT,oil tank	2	
4	37880HP4300	SWITCH ASS'y, oil level	1	
5	44643-31000	GASKET, oil level switch	1	

FIG 19

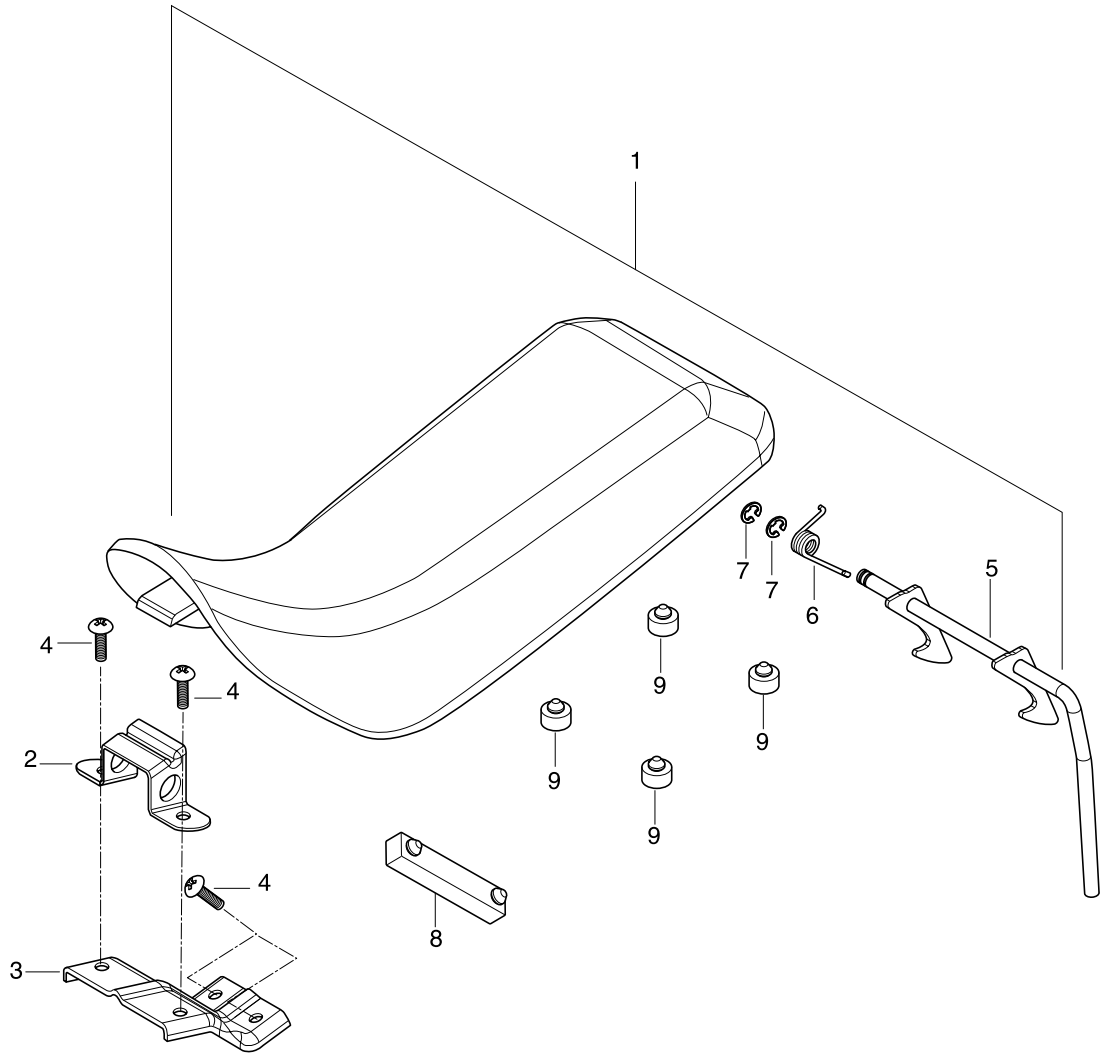


FIG 19. SEAT

REF. PARTS NO. NO. RST01	DESCRIPTION	USAGE (PCS)	REMARKS	REC.Q'TY (PCS)
1	45100HK316058P	SEAT,set		2
2	45119-02C00	PLATE,seat front hook		
3	45118HK3100	PLATE,seat front hook No.1		
4	02142-06126	SCREW,seat front hook plate(M		
5	45210HK3100	CLAMP COMP,seat		
6	45135-243A2	SPRING,seat clamp		
7	08332-11066	E-RING,seat clamp		
8	09321-080A9	CUSHION,seat(ϕ 60* ϕ 20*T6.5)		
9	09321-100B2	CUSHION,seat(ϕ 22*T10)		

FIG 20

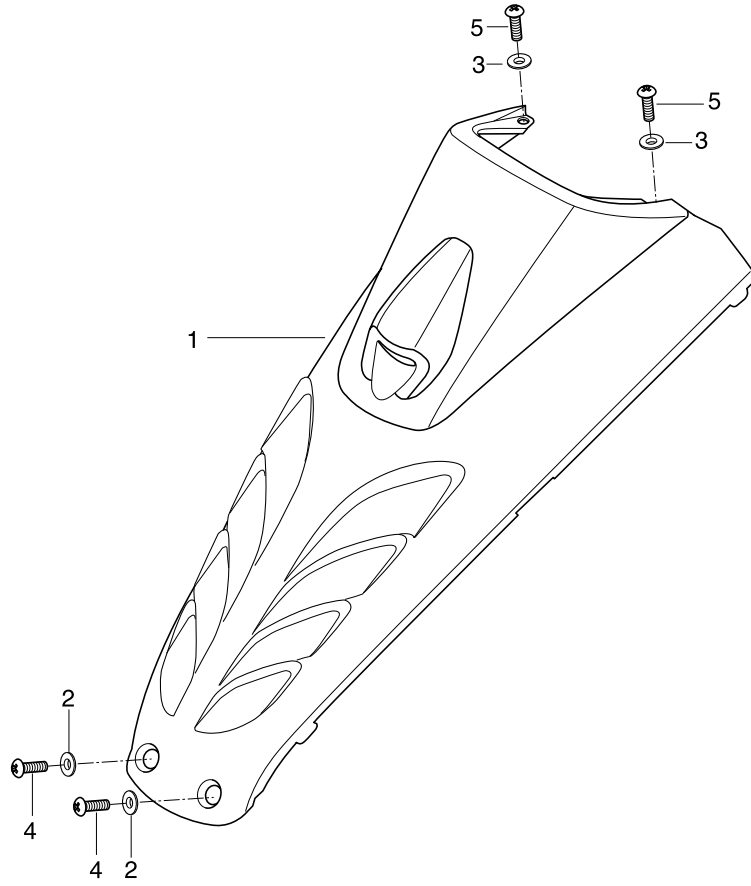


FIG 20. FENDER CENTER FRONT

REF. PARTS NO.	DESCRIPTION	USAGE	REMARKS	REC.Q'TY
NO. RST01		(PCS)		(PCS)
1	53118HK3101291	FENDER,center front(SLD,black	1	5
2	08322-21056	WASHER,center front fender fro	2	
3	09169-05007	WASHER,center front fender rea	2	
4	02142-05226	SCREW,center front fender front	2	
5	02142-05166	SCREW,center front fender rear(2	

FIG 21

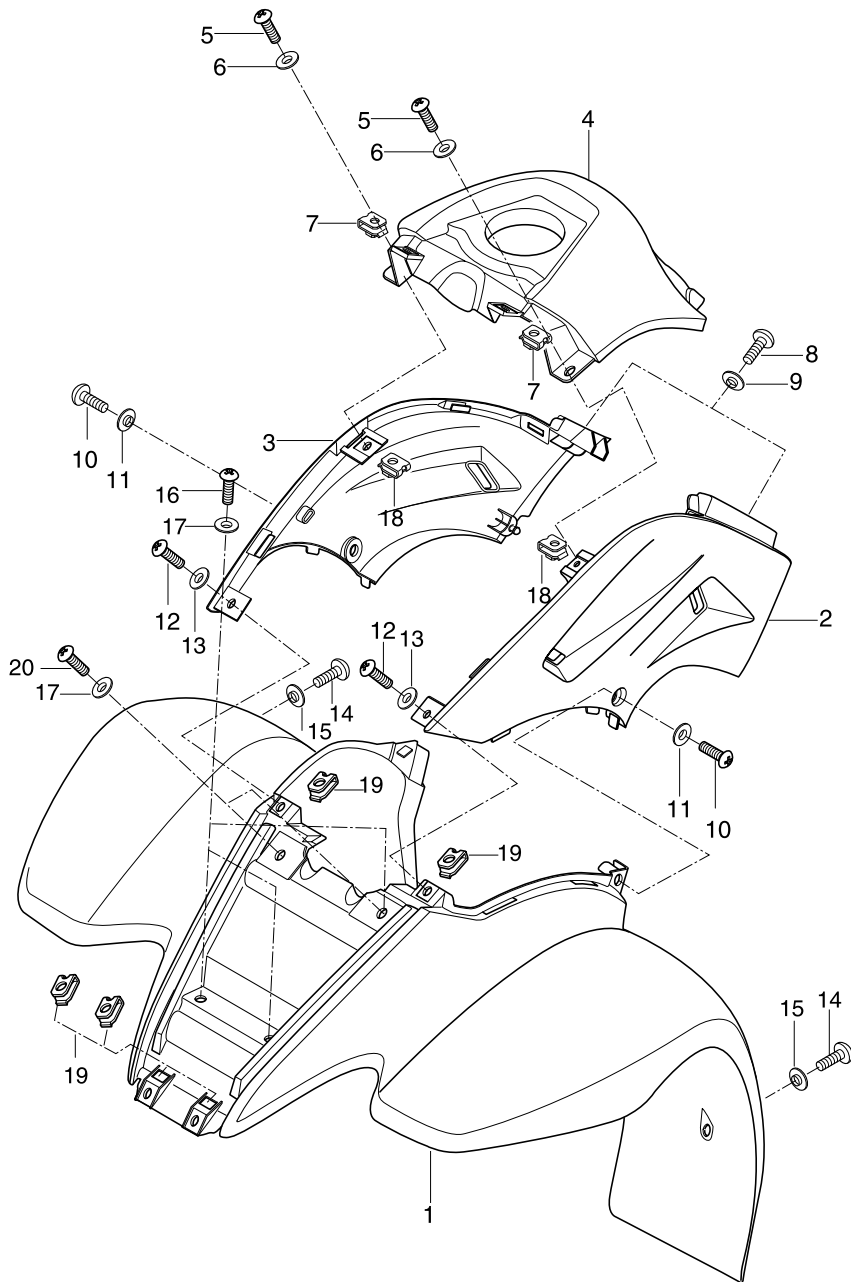


FIG 21. FENDER FRONT

REF. PARTS NO.	DESCRIPTION	USAGE	REMARKS	REC.Q'TY
NO. RST01		(PCS)		(PCS)
1	53111HK31013R3	FENDER,front		5
2	47211HK31003R3	COVER,side L		5
3	47111HK31003R3	COVER,side R		2
4	53119HK3101291	FENDER,center rear		5
5	02142-05166	SCREW,center front fender rear(2	
6	09169-05007	WASHER,center rear fender fron	2	
7	09148-05039	NUT,center rear fender front(M5	2	
8	02142-06166	SCREW,side cover rear(M6*16)	2	
9	09169-06032	WASHER,side cover rear	2	
10	02142-06166	SCREW,side cover lower FT(M6	2	
11	08322-21066	WASHER,side cover lower front	2	
12	02142-05166	SCREW,side cover front upper(M	2	
13	09169-05007	WASHER,side cover front upper	2	
14	02112-06308	SCREW,front fender lower(M6*	2	
15	09169-06032	WASHER,front fender lower	2	
16	02142-06166	SCREW,front fender upper(M6*	3	
17	09169-06032	WASHER,fender front upper	3	
18	09148-05039	NUT,side cover center(M5)	2	
19	09148-05039	NUT,front fender upper(M5)	4	
20	02142-06206	SCREW,staring motor relay & F	1	

FIG 22

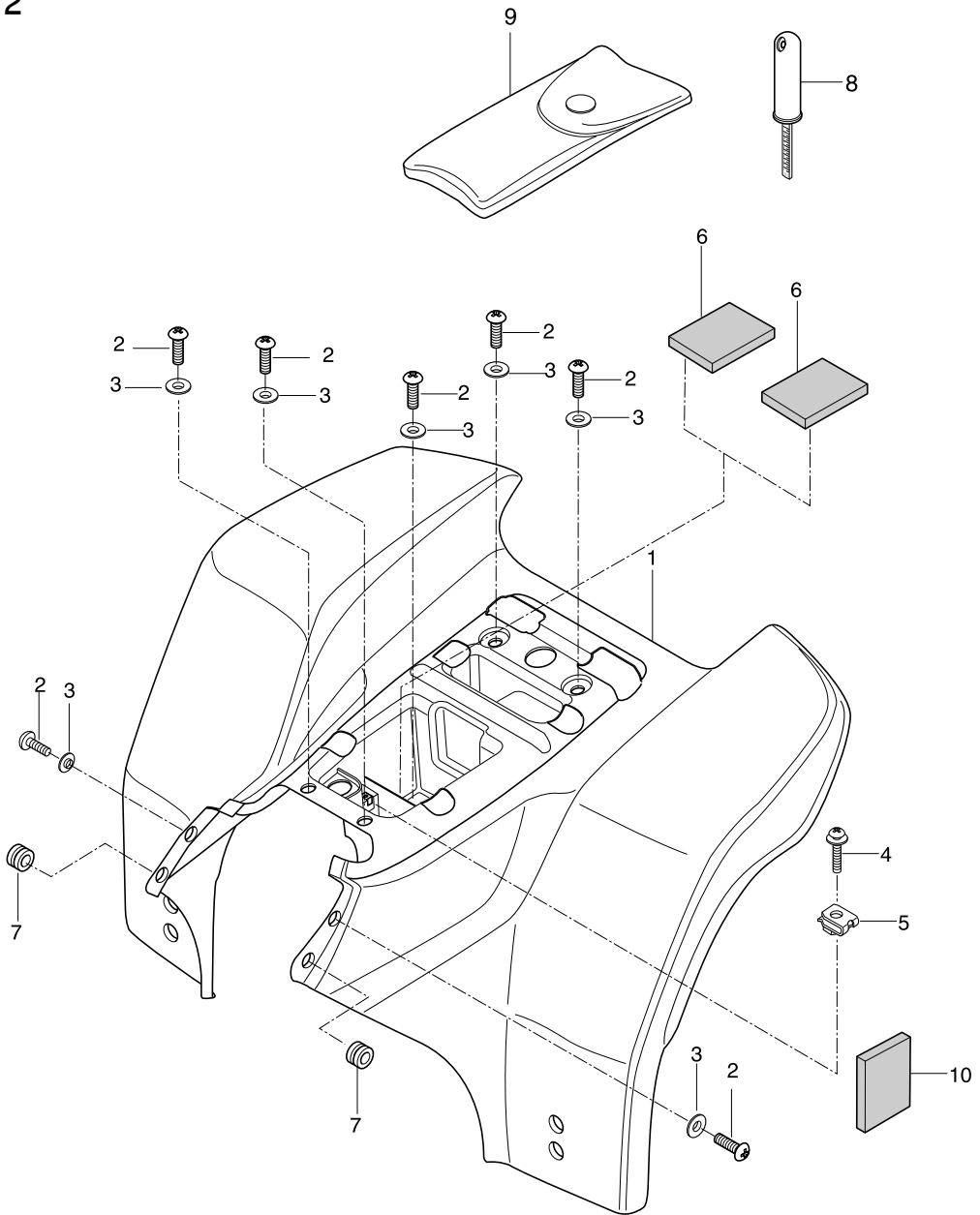


FIG 22. FENDEDR REAR

REF. PARTS NO.	DESCRIPTION	USAGE	REMARKS	REC.Q'TY
NO. RST01		(PCS)		(PCS)
1	63111HK310203R3	FENDER,rear		5
2	02142-06166	SCREW,rear fender(M6*16)		
3	09169-06032	WASHER,rear fender		
4	02142-06206	SCREW,starting motor relay & r		
5	09148-06020	NUT,starting motor relay & rear		
6	33652-01A10	CUSHION,rear fender & battery		
7	09320-08028	CUSHION,rear fender front		
8	96200HK3100	GAUGE,assy air pressure		
9	09800HK3100	TOOL,assy		
10	63118HL4100	HEAT SHIELD,rear fender		

FIG 23

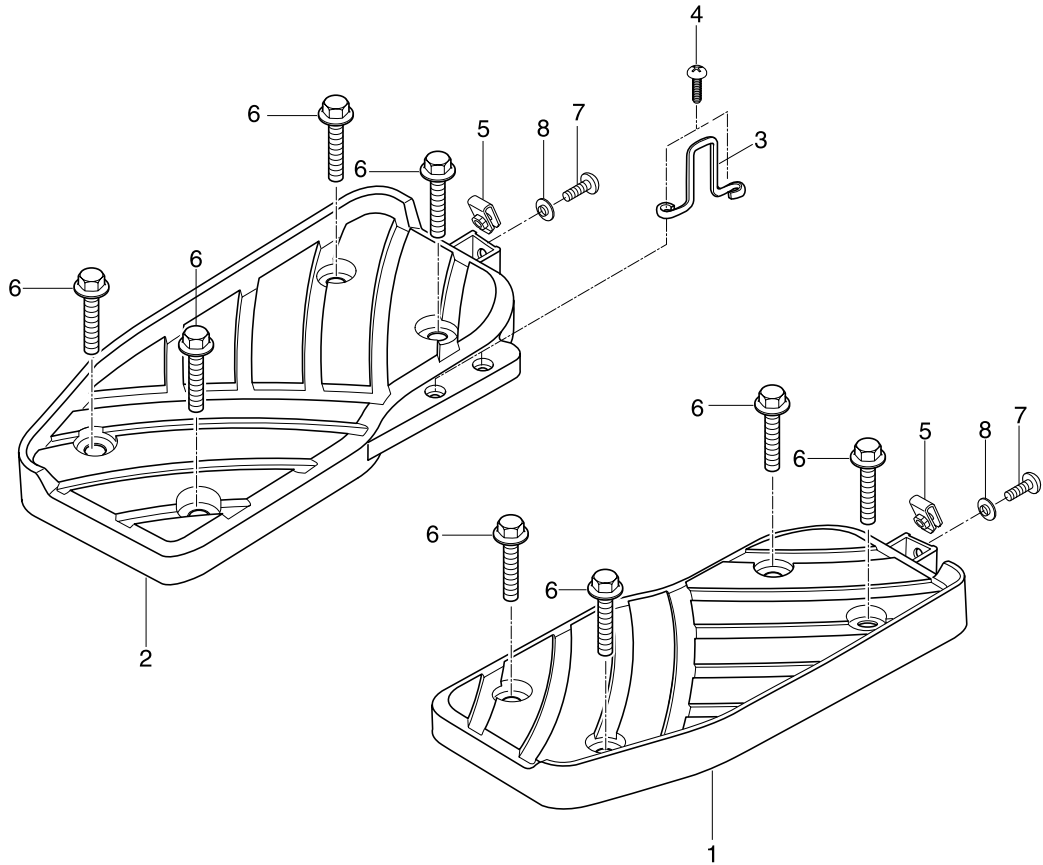


FIG 23. FOOTREST

REF. PARTS NO. NO. RST01	DESCRIPTION	USAGE (PCS)	REMARKS	REC.Q'TY (PCS)
1	43521HL410126B	FRONT FOOTREST L		1
2	43511HL410026B	FRONT FOOTREST R		1
3	45210HL4101	GUARD,footrest RH		1
4	02142-06166	SCREW,footrest guard(M6*16)		2
5	09148-06020	NUT,footrest & RR fender(M6)		2
6	01517-06306	BOLT,front footrest(M6*30)		8
7	02142-06166	SCREW,footrest & RR fender(M		2
8	09169-06032	WASHER,footrest & RR fender		2

FIG 24

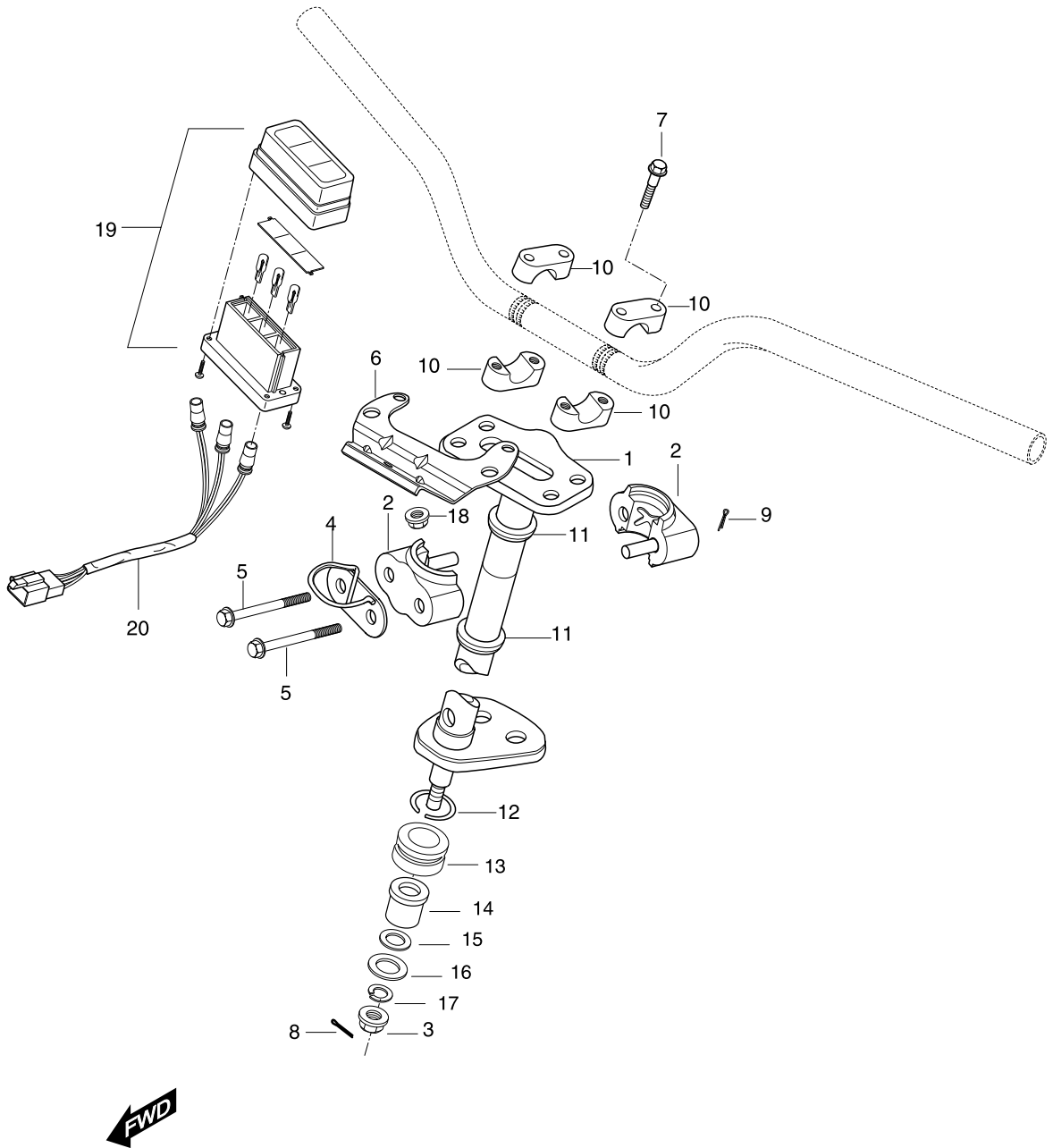
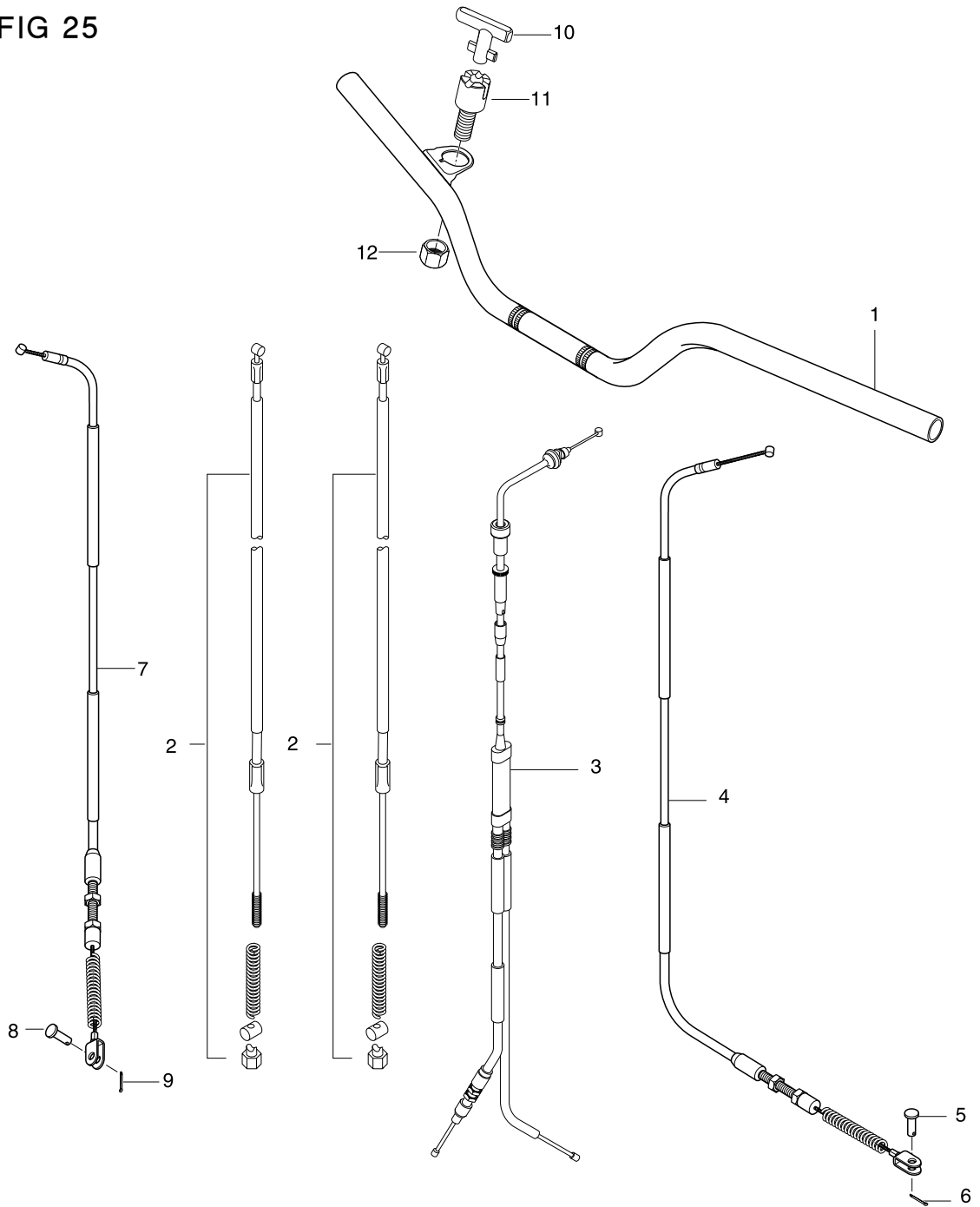


FIG 24. SHAFT COMP STTERING

REF. PARTS NO.	DESCRIPTION	USAGE	REMARKS	REC.Q'TY
NO. RST01		(PCS)		(PCS)
1	51650HP4300PAM	SHAFT,comp steering		1
2	51670-18902KOR	HOLDER,steering shaft		2
3	08319-31106	NUT,steering shaft(M10)		
4	51680HK3101	REINF,steering holder		
5	09103-08085KOR	BOLT,steering shaft(M8*60)		
6	51820HP4300	BKT, h/lamp, hous'g		
7	01234-08556	BOLT,handle bar holder(M8*55)		
8	04111-20206	COTTER PIN,steer`r shaft lower		
9	04111-20206	COTTER PIN,steer`r shaft lower		
10	56211-272A0	HOLDER,handle bar		
11	51678-18900KOR	DUST SEAT,steering shaft(32*2		
12	09380H30002	SNAP RING,dust seal		
13	51662-18900KOR	DUST SEAL,steering(35*24.6*1		
14	51661-40B00KOR	BUSH,steering shaft lower		
15	09280-14003	O-RING,steering shaft lower(25 ^d		
16	09160-10068	WASHER,steering shaft low upp		
17	08321-31106	WASHER,steering shaft low low		
18	08319-31088	NUT		
19	39000HP4300	LAMP ASS'y, idicator		
20	39150HP4300	SOCKET Ass'y, indicater		

FIG 25



FWD

FIG 25. HANDLE BAR

REF. PARTS NO. NO. RST01	DESCRIPTION	USAGE (PCS)	REMARKS	REC.Q'TY (PCS)
1	56111HP4300PAM	HANDLE BAR		1
2	58110HK3102	CABLE,assy front brake		
3	58300HL4101	CABLE,assy throttle		5
4	58510HL4100	CABLE,RR BK		
5	09200-06004	CLANP,RR BK CABLE 2		
6	04111-20158	PIN		
7	56400HP4302	CABLE ASS'y, reverse		
8	09200-06004	PIN		
9	04111-20158	COTTER, pin		
10	56141HP4301	LEVER, reverse		
11	56142HP4301	HOLDER, reverse lever		
12	56143HP4302	NUT, reverse lever hold		

FIG 26

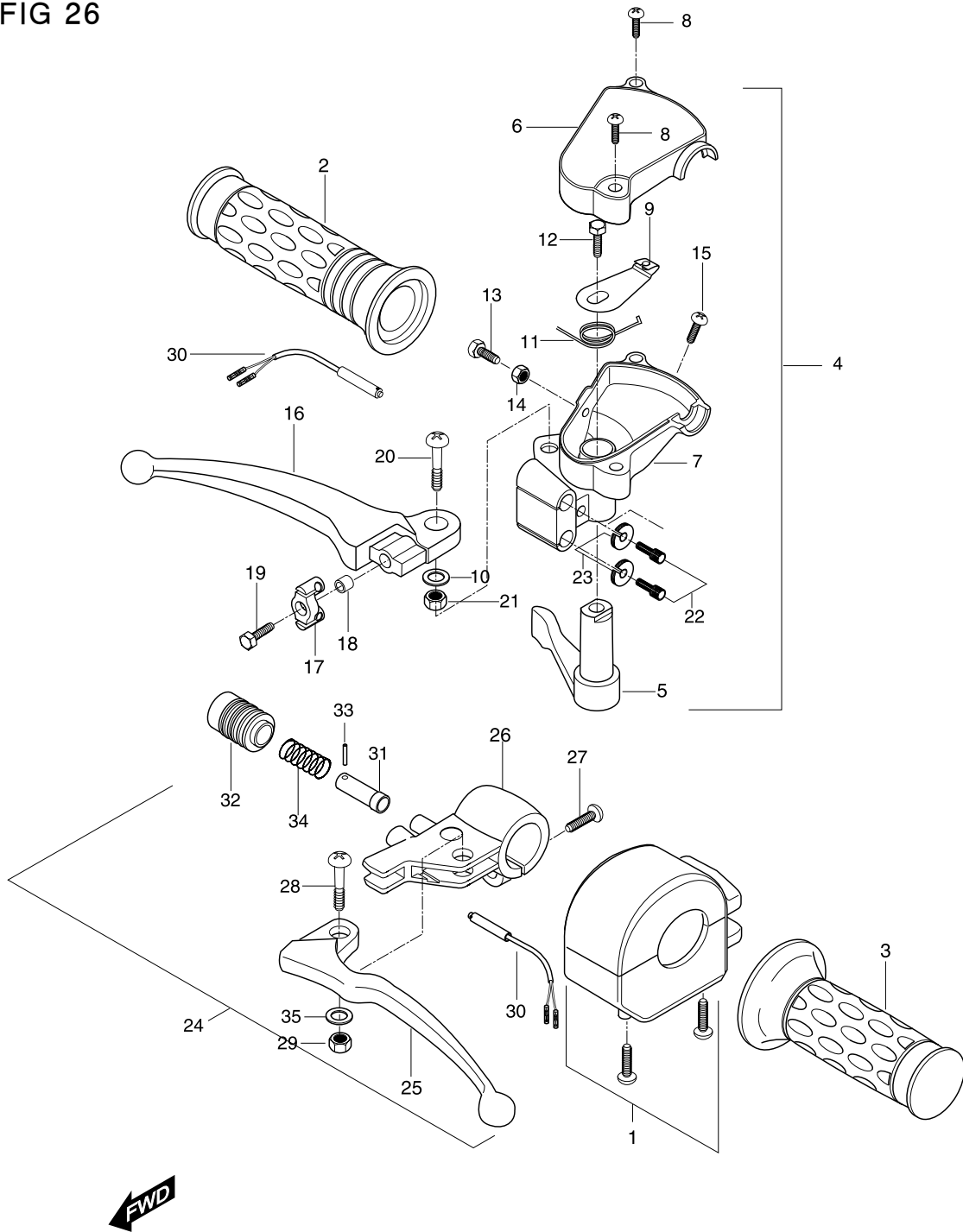


FIG 26. HANDLE SWITCH

REF.	PARTS NO.		DESCRIPTION	USAGE	REMARKS	REC.Q'TY
NO. DOMESTIC	NNE01	ST01		(PCS)		(PCS)
1	37400HK3100	37400HK3100	37400HK3100	SWITCH,assy handle LH	1	5
2	57311HK3100	57311HK3100	57311HK3100	GRIP,handle RH	1	3
3	57211HK3101	57211HK3101	57211HK3101	GRIP,handle LH	1	3
4	57100HK3104	57100HK3104	57100HK3104	LEVER,assy throttle & FT brake	1	4
5	57151HK3101	57151HK3101	57151HK3101	LEVER,throttle	1	
6	57131HK3100	57131HK3100	57131HK3100	COVER,throttle case	1	
7	57121HK3100	57121HK3100	57121HK3100	CASE,throttle lever	1	
8	02112-05165	02112-05165	02112-05165	SCREW,throttle case cover(M5*	2	
9	57158HK3100	57158HK3100	57158HK3100	ARM,throttle lever	1	
10	08321-51055	08321-51055	08321-51055	WASHER,front brake lever pivo	1	
11	57159HK3100	57159HK3100	57159HK3100	SPRING,throttle lever return	1	
12	09125-06072	09125-06072	09125-06072	BOLT,throttle lever(M6*12)	1	
13	09100-05001	09100-05001	09100-05001	BOLT,throttle adjuster(M5*25)	1	
14	08310-11055	08310-11055	08310-11055	NUT,caliper pad push adjuster(M	1	
15	02112-06205	02112-06205	02112-06205	SCREW,throttle case(M6*20)	1	
16	57621HK3100	57621HK3100	57621HK3100	LEVER,comp front brake	1	
17	57396HK3100	57396HK3100	57396HK3100	EQUILIZER	1	
18	09180H06250	09180H06250	09180H06250	BUSH	1	
19	09128-06072	09128-06072	09128-06072	BOLT,equilizer	1	
20	57431HK3100	57431HK3100	57431HK3100	BOLT,front brake lever pivot	1	
21	08310-11055	08310-11055	08310-11055	NUT,brake lever pivot(M5)	1	
22	57441-26010	57441-26010	57441-26010	ADJUSTER,brake cable	2	
23	57442-26010	57442-26010	57442-26010	NUT,brake cable adjuster	2	
24	57460HK3100	57460HK3100	57460HK3100	SWITCH ASS'Y,RR brake	1	
25	57500HK3102	57500HK3102	57500HK3102	LEVER,RR BRAKE	1	

FIG 26

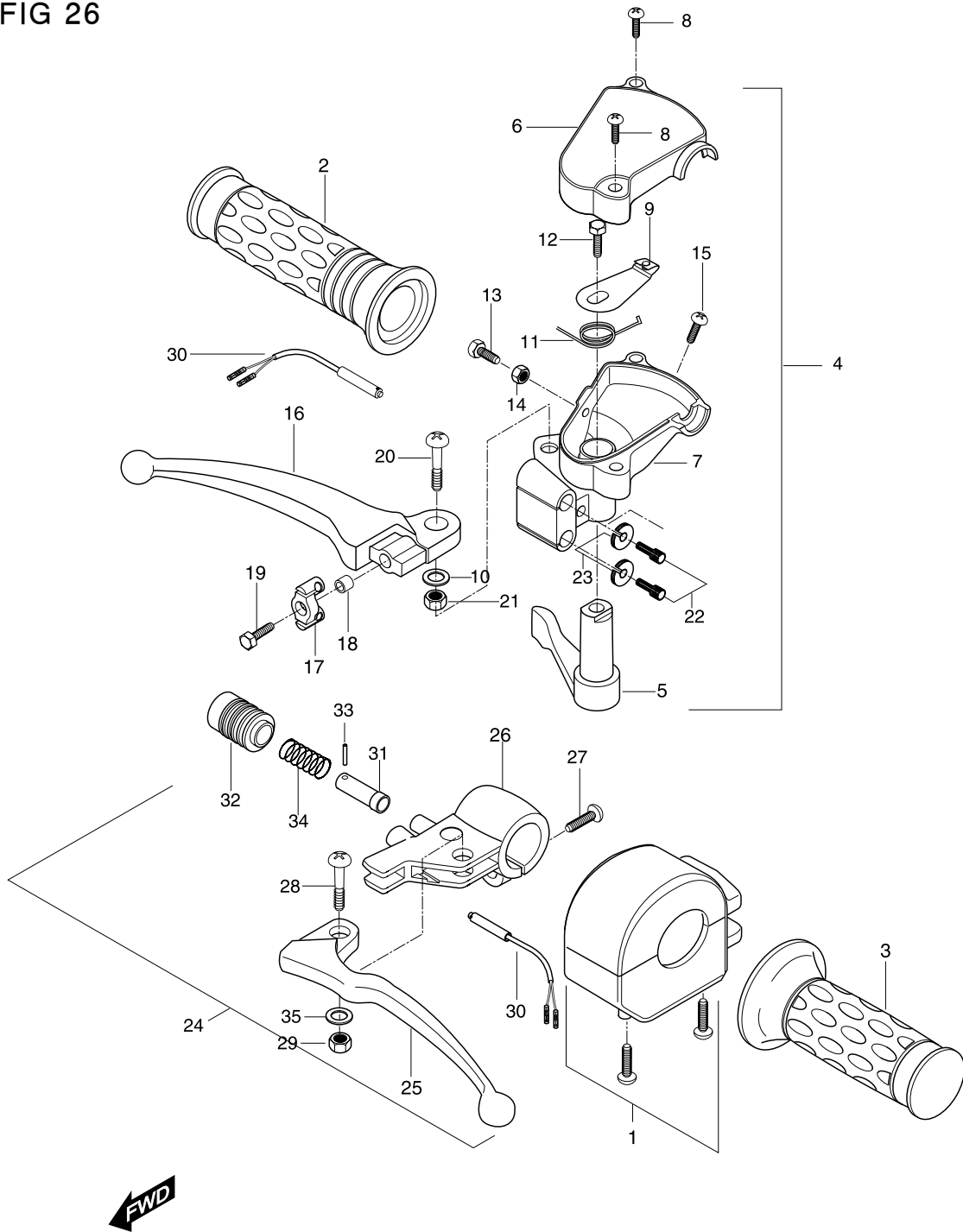


FIG 26. HANDLE SWITCH

REF. PARTS NO.	DESCRIPTION	USAGE	REMARKS	REC.Q'TY
NO. RST01		(PCS)		(PCS)
30 57460HK3100	SWITCH,assy RR brake	2		
31 57781-04600	PIN,brake lever stop	1		
32 57784-04600	COVER,RR brake cover stopper	1		
33 57785-04600	PIN,brake cover	1		
34 57783HK3100	SPRING,brake lever stopper pin	1		
35 08321-21055	WASHER,rear brake lever pivot	1		

FIG 27

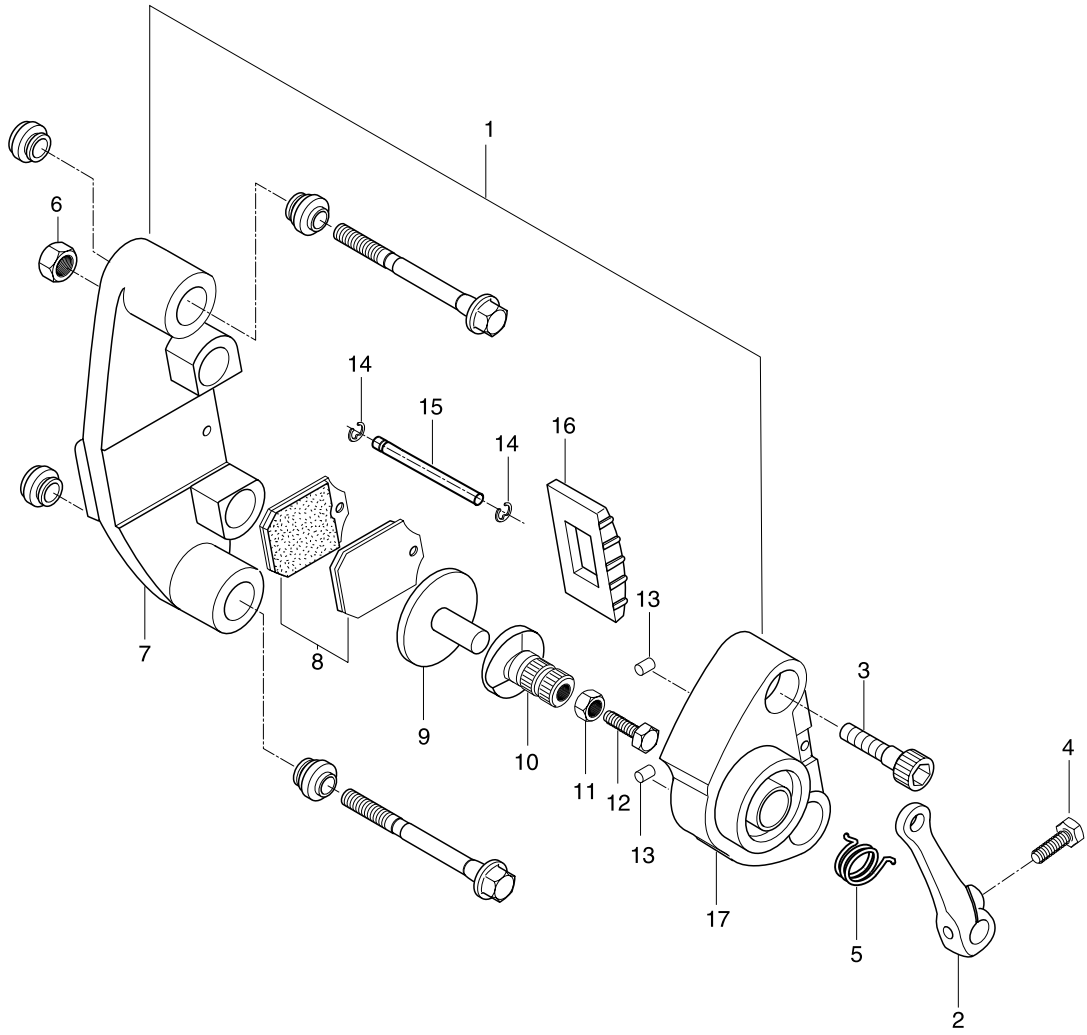


FIG 27. CALIPER

REF. PARTS NO. NO. RST01	DESCRIPTION	USAGE (PCS)	REMARKS	REC.Q'TY (PCS)
1	69300HP4300	CALIPER,assy rear		4
2	64451HK3101	LEVER,rear brake caliper		
3	57431H05D00	BOLT,caliper		
4	01107-06208	BOLT,rear brake lever(M6*16)		
5	09448H15002	SPRING,rr caliper lever return		
6	08310-11005	NUT,caliper pad push adjuster(M5)	NOT SALE	
7	59311-21000	HOUSING RH,caliper	NOT SALE	
8	59300-21000	PAD,brake		15
9	59322-21000	PLATE,pad push	NOT SALE	
10	59321-21000	CAM,brake	NOT SALE	
11	08310-11055	NUT,adjuster(M5)		
12	01107-05305	BOLT,adjust(M5*30)		
13	09261-06930	ROLLER	NOT SALE	
14	09383-25041	E-RING	NOT SALE	
15	09209-21000	PIN,pad guide	NOT SALE	
16	59340-21000	CAP		
17	59312-21000	HOUSING LH,caliper	NOT SALE	

FIG 28

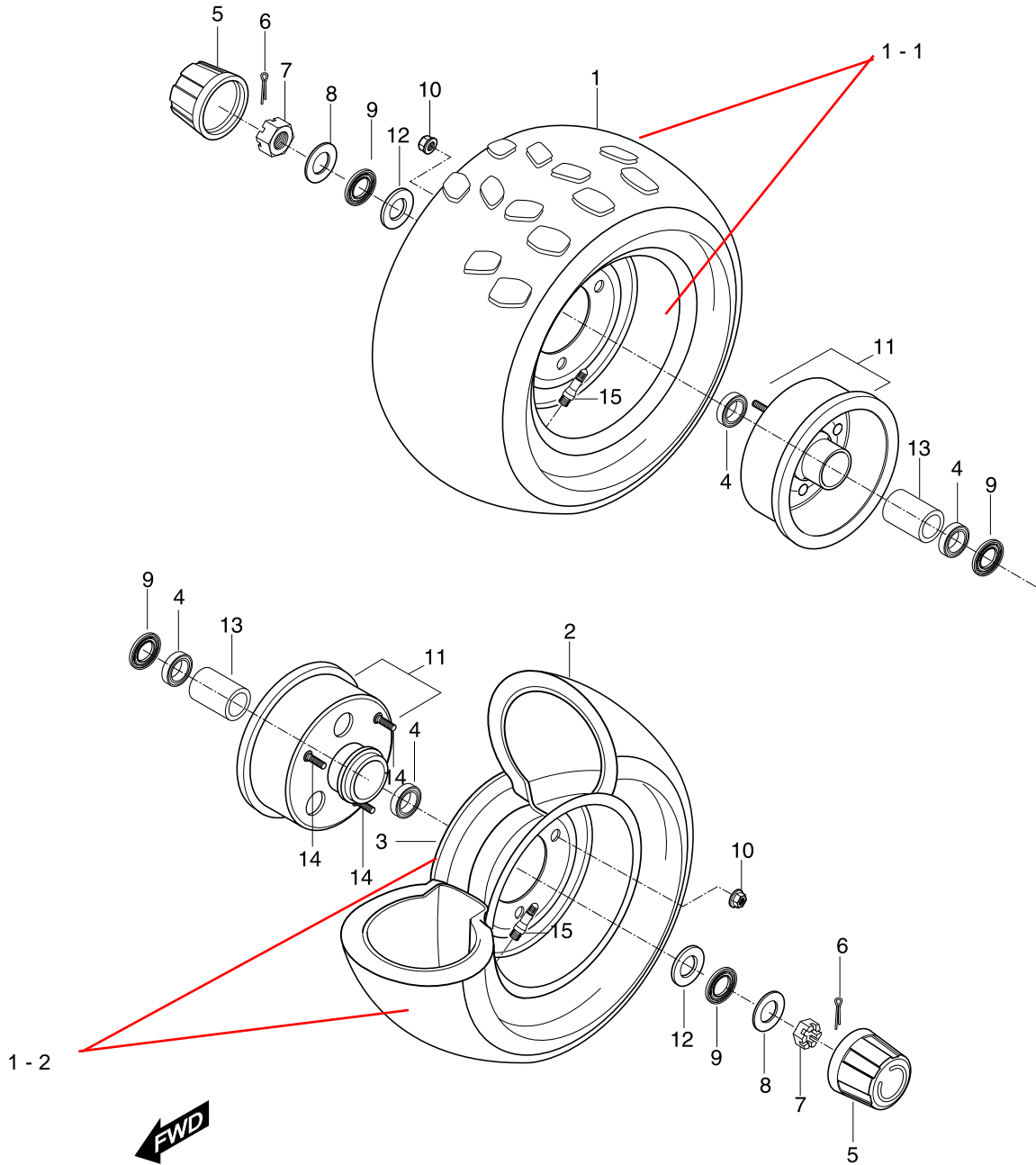


FIG 28. FRONT WHEEL

REF. PARTS NO. NO. RST01	DESCRIPTION	USAGE (PCS)	REMARKS	REC.Q'TY (PCS)
1	55100HL4100	TIRE,set front		
1-1	55300HL4100	TIRE + WHEEL SET R		7
1-2	55400HL4100	TIRE + WHEEL SET L		
2	55100HL4100	TIRE,comp front(AT18*7-7)		
3	55310HL4100	RIM COMP,front		
4	08120-60027KOR	BEARING,front hub(15*32*9)		
5	54725HK3101	CAP,wheel center		
6	04111-30258	CONTER PIN,axle front		
7	08314-40146	NUT,front axle(M14)		
8	08322-11148	WASHER,front wheel		
9	54841-04200	SEAL,front hub brg(32*20*3)		
10	08319-31088	NUT,front wheel(M8)		
11	54110HK3104	HUB,comp front wheel		2
12	54741-04200KOR	SPACER,front axle		
13	54731-04200KOR	SPACER,front hub bearing		
14	09119H08060	BOLT,hub(M8*17)		

FIG 29

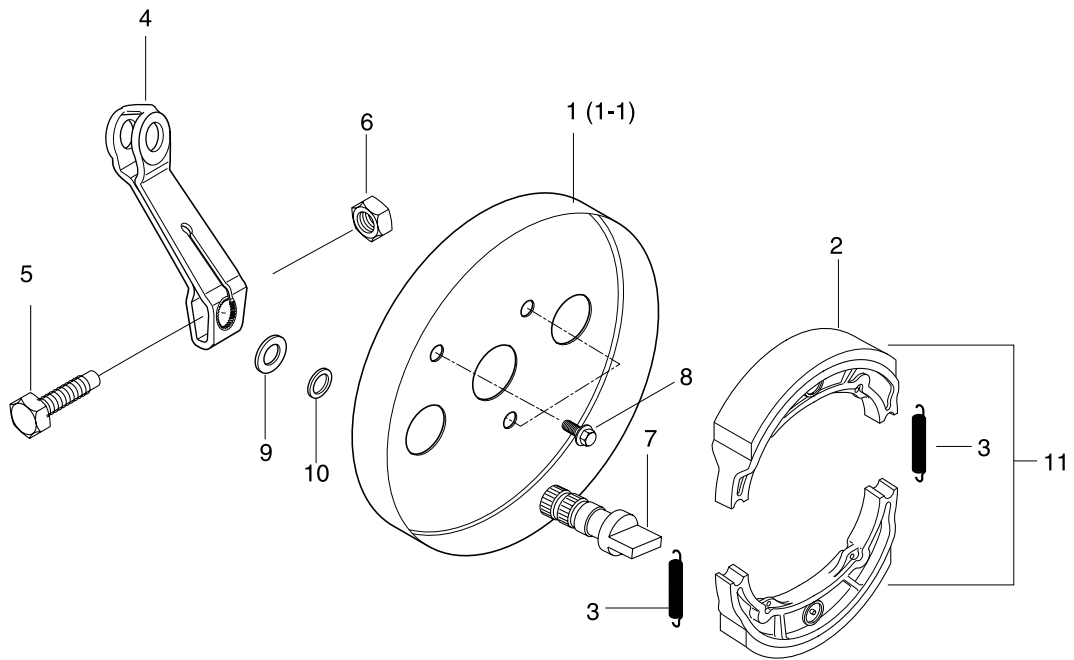


FIG 29. FRONT BRAKE

REF. PARTS NO. NO. RST01	DESCRIPTION	USAGE (PCS)	REMARKS	REC.Q'TY (PCS)
1	54511HK3106	PLATE,front brake RH	1	
1-1	54611HK3106	PLATE,front brake LH	1	
2	64400HK3100	SHOE,comp front brake	4	12
3	09443H08025	SPRING,front brake shoe(L=32)	4	
4	54451HK3102	LEVER,front brake cam	2	4
5	12812-30A00	BOLT,rear brake cam lever(M6*)	2	
6	08316-16068	NUT,rear brake cam lever(M6)	2	
7	54441HK3103	CAM,front brake	2	
8	09100-06158	BOLT,front brake plate(M6*8)	6	
9	09160-12011	WASHER,front brake cam(ϕ 20*)	2	
10	09280H14005	O-RING,front brake cam(ID:11.4)	2	
11	64400HK3100	SHOE ASS'Y, brake	2	

FIG 30

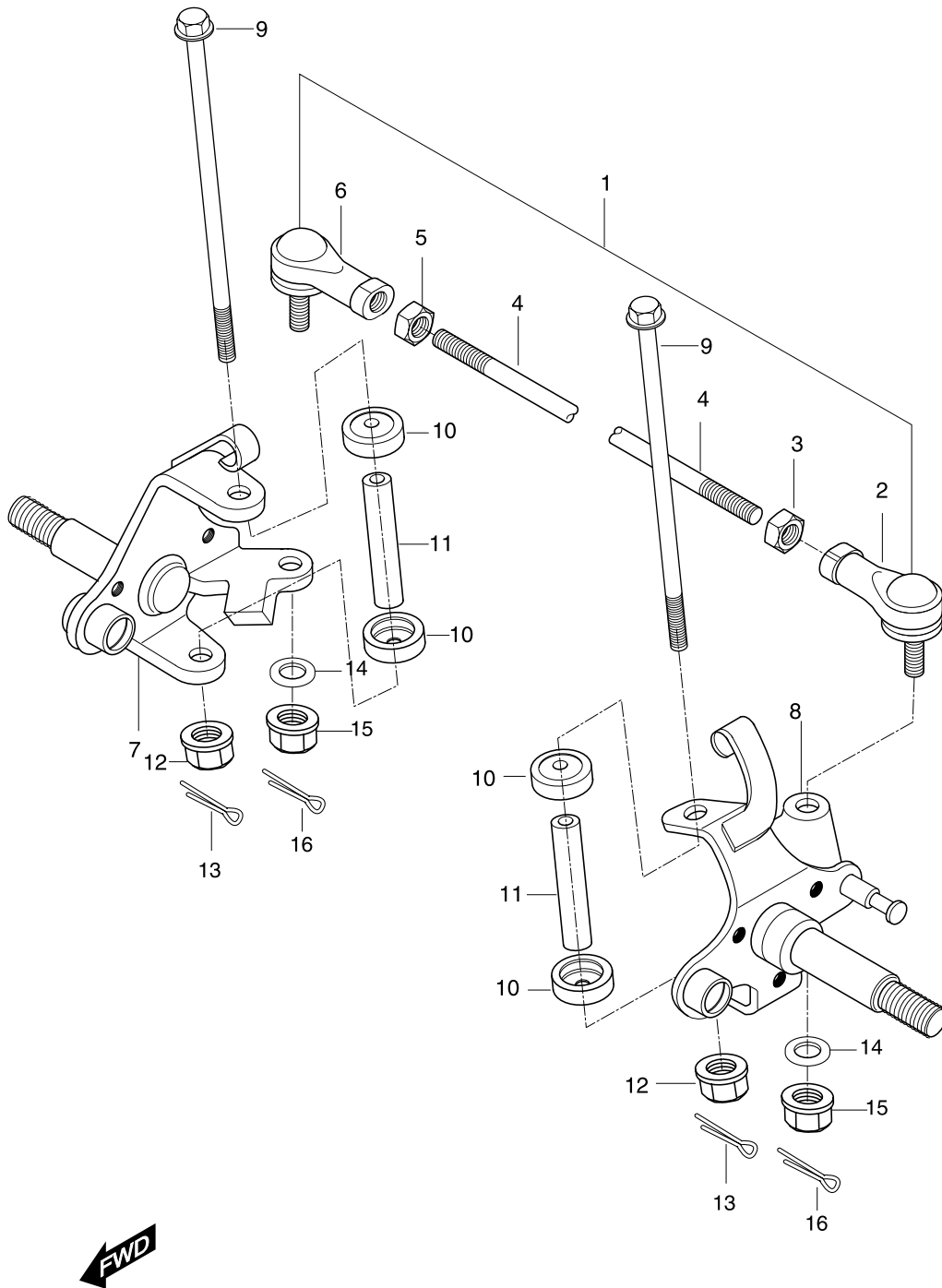


FIG 30. TIE ROD SET

REF. PARTS NO. NO. RST01	DESCRIPTION	USAGE (PCS)	REMARKS	REC.Q'TY (PCS)
1	51091HK3102	TIE ROD,set steering		2
2	51270HK3100	END,comp rod L		2
3	09140-10027	NUT,tie rod inner(M10)		2
4	51281HK3101	TIE ROD,steering(M10*162)		2
5	09140-10043	NUT,tie rod outer(M10)		2
6	51260HK3100	END,comp rod R		2
7	51230HK3110	KNUCKLE,comp steering R		1
8	51240HK3110	KNUCKLE,comp steering L		1
9	09103-10082KOR	BOLT,knuckle arm(M10*110)		2
10	51255-18900KOR	SEAL,knuckle arm dust		4
11	51251HK3100	SPACER,king pin		2
12	08319-31106	NUT,knuckle arm(M10)		2
13	04111-20206	COTTER PIN,knuckle arm bolt(2
14	08321-31106	WASHER,rod end (ø18.8*ø10.2)		2
15	08319-31106	NUT,rod end(M10)		2
16	04111-20206	COTTER PIN,rod end(L=20)		2

FIG 31

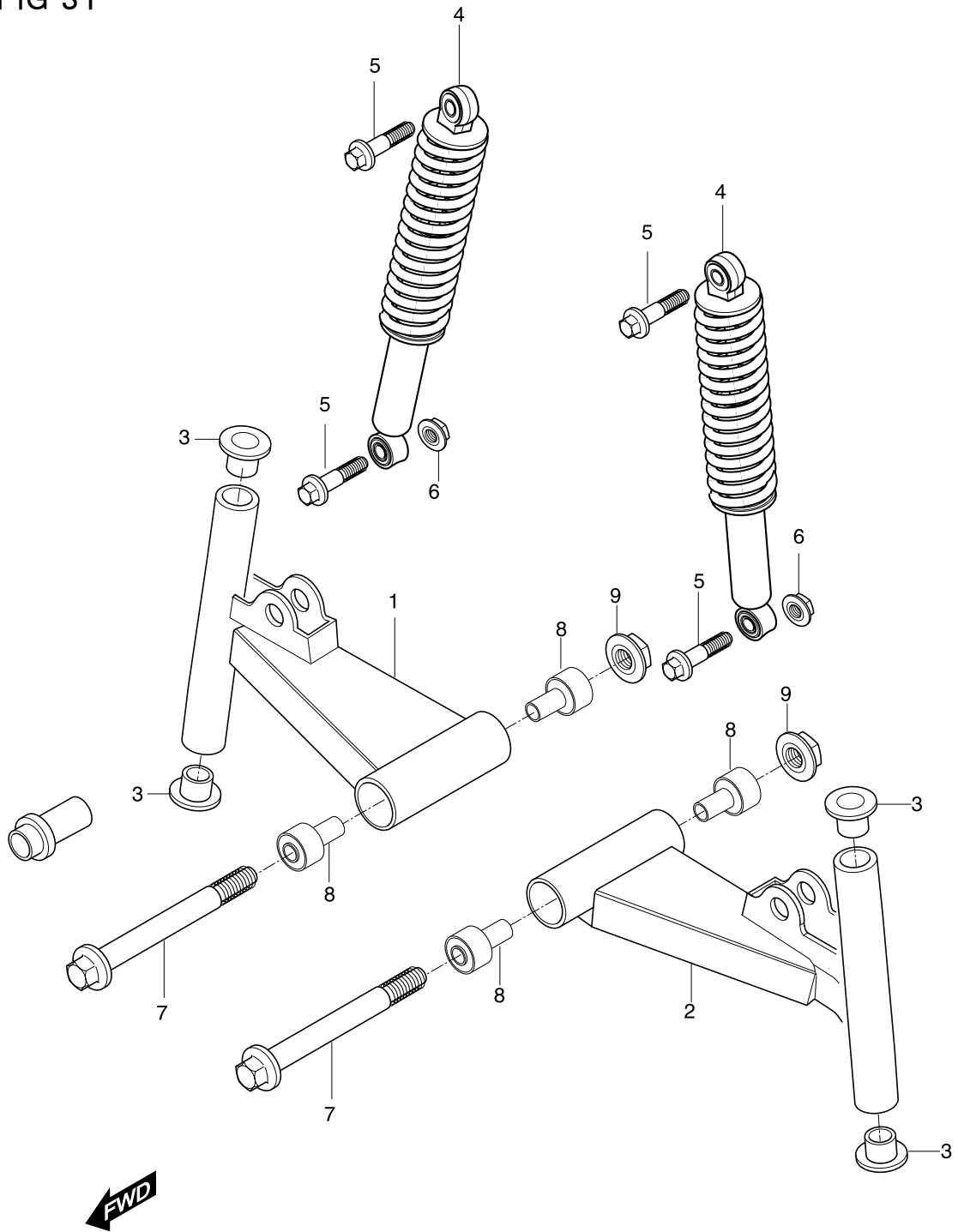


FIG 31. SUSPENSION ARM

REF. PARTS NO.	DESCRIPTION	USAGE	REMARKS	REC.Q'TY
NO. RST01		(PCS)		(PCS)
1	52410HL4101PAM	ARM,comp suspension R		4
2	52420HL4101PAM	ARM,comp suspension L		4
3	51236-40B00KOR	BUSH,king pin		
4	52100HL4100	ABSORBER,assy front shock		4
5	61181-02C00	BOLT,front shock absorber assy(
6	08316-26106	NUT,front shock absorber assy(N		
7	09103H12026	BOLT,suspension arm(M12*124		
8	09319H12005	BUSH,suspension arm		
9	08319-31126	NUT,suspension arm(M12)		

FIG 32

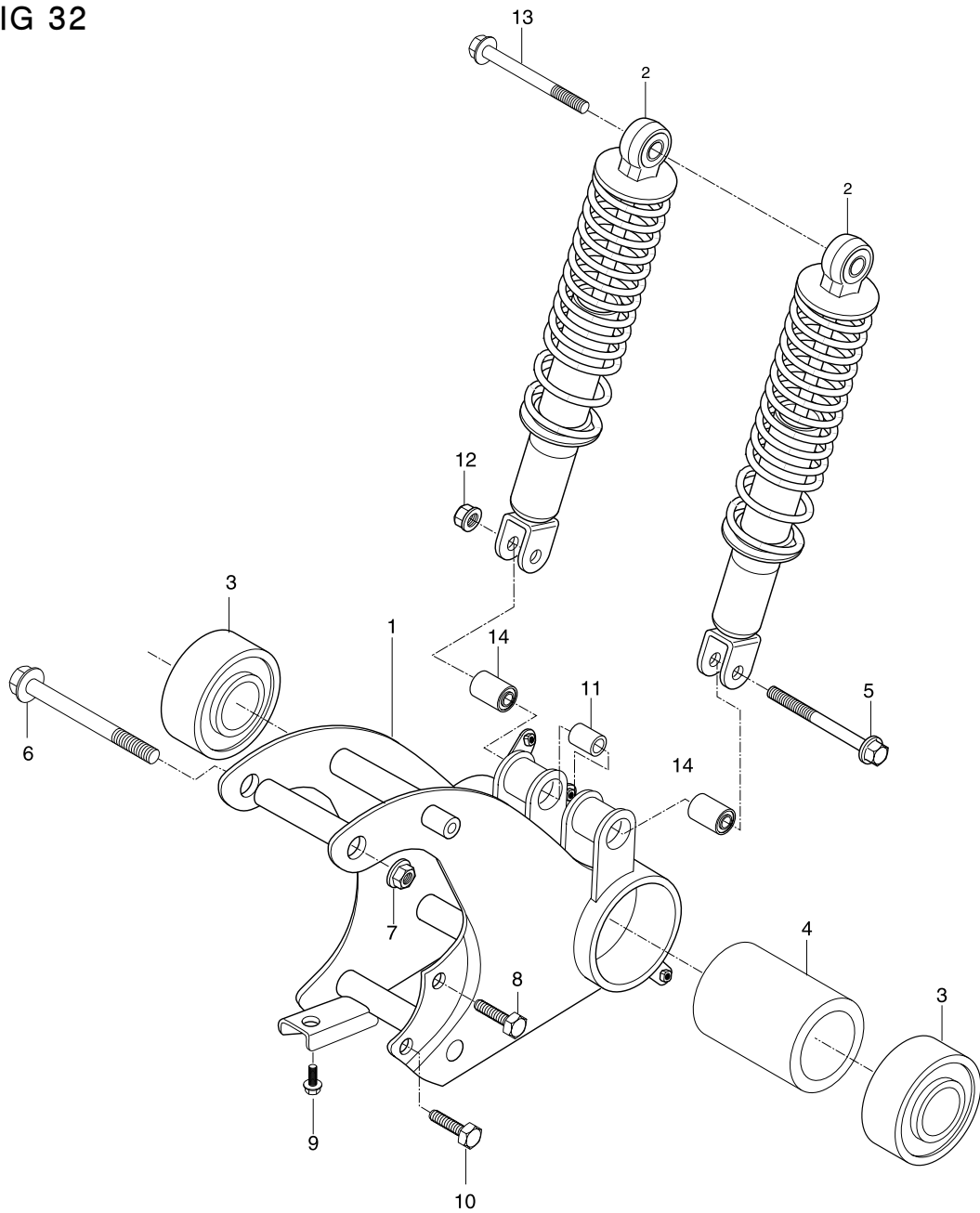


FIG 32. REAR HOUSING COMP

REF. PARTS NO.	DESCRIPTION	USAGE	REMARKS	REC.Q'TY
NO. RST01		(PCS)		(PCS)
1	64720HL4107PAM	HOUSING,comp RR axle brg		1
2	62100HL4103	ABSORBER,assy rear shock		4
2~1	62100HL4103	ABSORBER,assy rear shock		4
3	09262H32001	BEARING,rear axle(32*65*17)		2
4	64731HK3102	SPACER,rear axle bearing(L=65		1
5	61181-02C00	BOLT,rear shock absorber(M10 ³		4
6	09103H10022	BOLT,rear axle housing & case(l		1
7	08319-31106	NUT,rear axle housing & case(M		1
8	07110-08256	BOLT,RR axle housing clamp br		1
9	07110-08168	BOLT,RR axle housing bracket d		1
10	07110-08358	BOLT,RR axle housing clamp br		1
11	62211HK3101	SPACER,RR S/ASS		1
12	08319-31108	NUT, rr shock absorber low		1
13	09103H10152	BOLT, E/G MTG f/t		1
14	09319H10055	BUSH		2

FIG 33

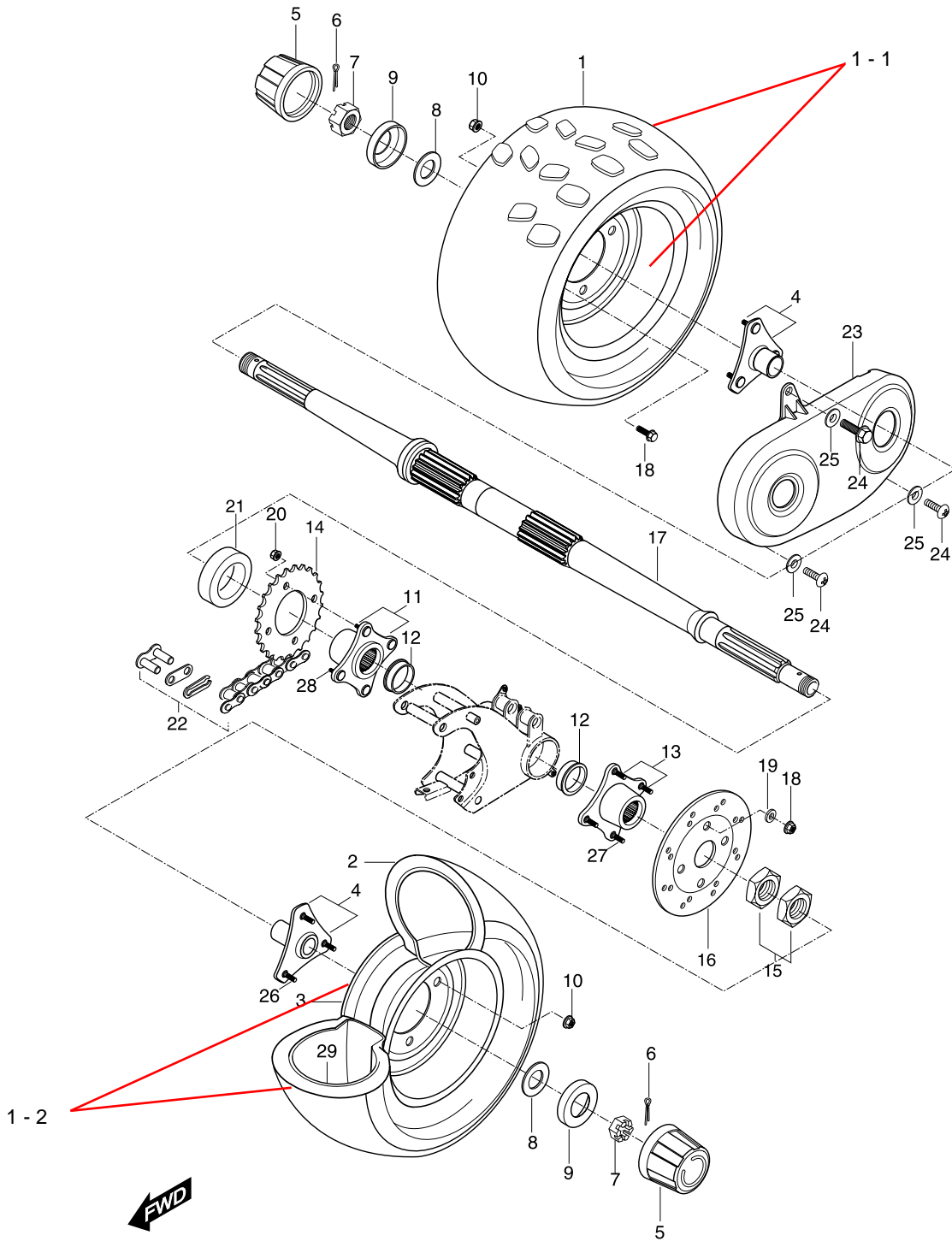


FIG 33. REAR WHEEL

REF. PARTS NO.	DESCRIPTION	USAGE	REMARKS	REC.Q'TY
NO. RST01		(PCS)		(PCS)
1	55100HL4100	TIRE,set rear (AT18*7-7)	2	
1-1	55300HL4100	TIRE + WHEEL SET R	1	
1-2	55400HL4100	TIRE + WHEEL SET L	1	7
2	55100HL4100	TIRE,comp rear(AT18*7-7)	2	
3	55310HL4100	RIM COMP,rear	2	
4	64110HL4103	HUB,comp rear	2	2
5	54725HK3101	CAP,wheel center	2	
6	04111-40308	COTTER PIN, rear hub	2	
7	09141H16000	NUT,rear hub(M16)	2	
8	64723-02400	WASHER,rear axle(ϕ 16.5* ϕ 30* ϕ 30)	2	
9	64726-04200	HOLDER,center cap	2	
10	08319-31088	NUT,wheet set(M8)	12	
11	64610HK3101HPA	FLANGE,comp sprocket mounti	1	
12	09285H42001	DUST SEAL, rear axle brg(42*6	2	
13	69220HK3101HPA	FLANGE,comp rear disk	1	
14	64511HK3101	SPROCKET,rear(28T)	1	1
15	09140-28003	NUT,rear axle(M28)	2	
16	69211HK3100	DISK,rear	1	2
17	64711HK3102	AXLE,rear	1	
18	08319-31088	NUT,rear disk(M8)	4	
19	09160-08030	WASHER,rear disk(ϕ 8.5* ϕ 22*T	4	
20	08319-31088	NUT,rear sprocket(M8)	4	
21	09180H35001	SPACER,rear axle R(34*41*T6)	1	
22	27600HL4100	CHAIN,comp drive	1	2
22~1	27600HP4300	CHAIN,comp drive	1	2
23	61311HL4100	CASE,chain	1	2
24	01517-06166	BOLT,chain case(M6*16)	3	
25	09169-06032	WASHER,chain case	3	
26	09119H08060	BOLT,hub(M8*17)	6	

FIG 33

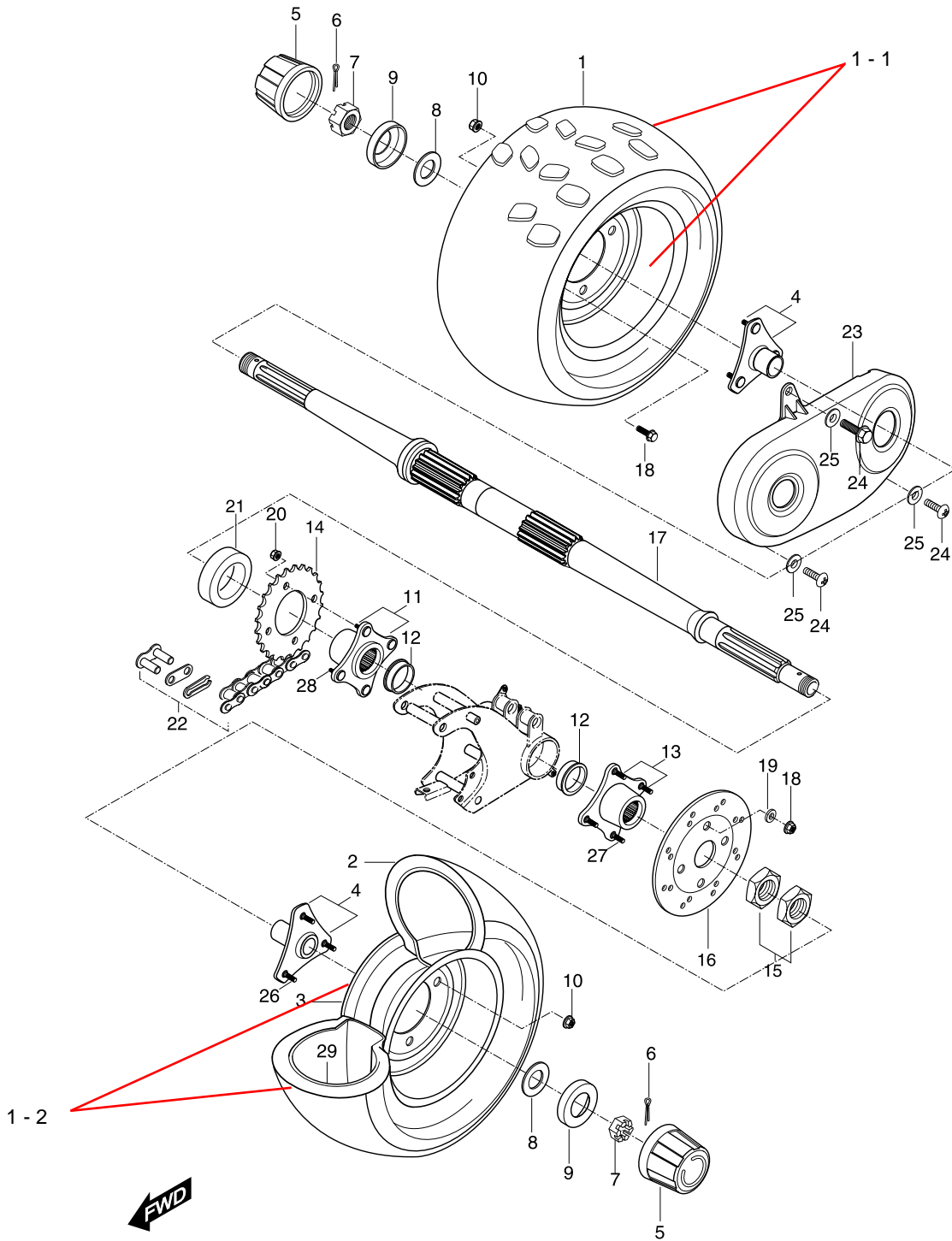


FIG 33. REAR WHEEL

REF. PARTS NO. NO. RST01	DESCRIPTION	USAGE (PCS)	REMARKS	REC.Q'TY (PCS)
27	09119-08073KOR	BOLT, rear disk flange		4
28	09119-08073KOR	BOLT, rear sprocket flange		4
29	55200-29C30	VALVE ASS'Y, wheel rim		2

FIG 34

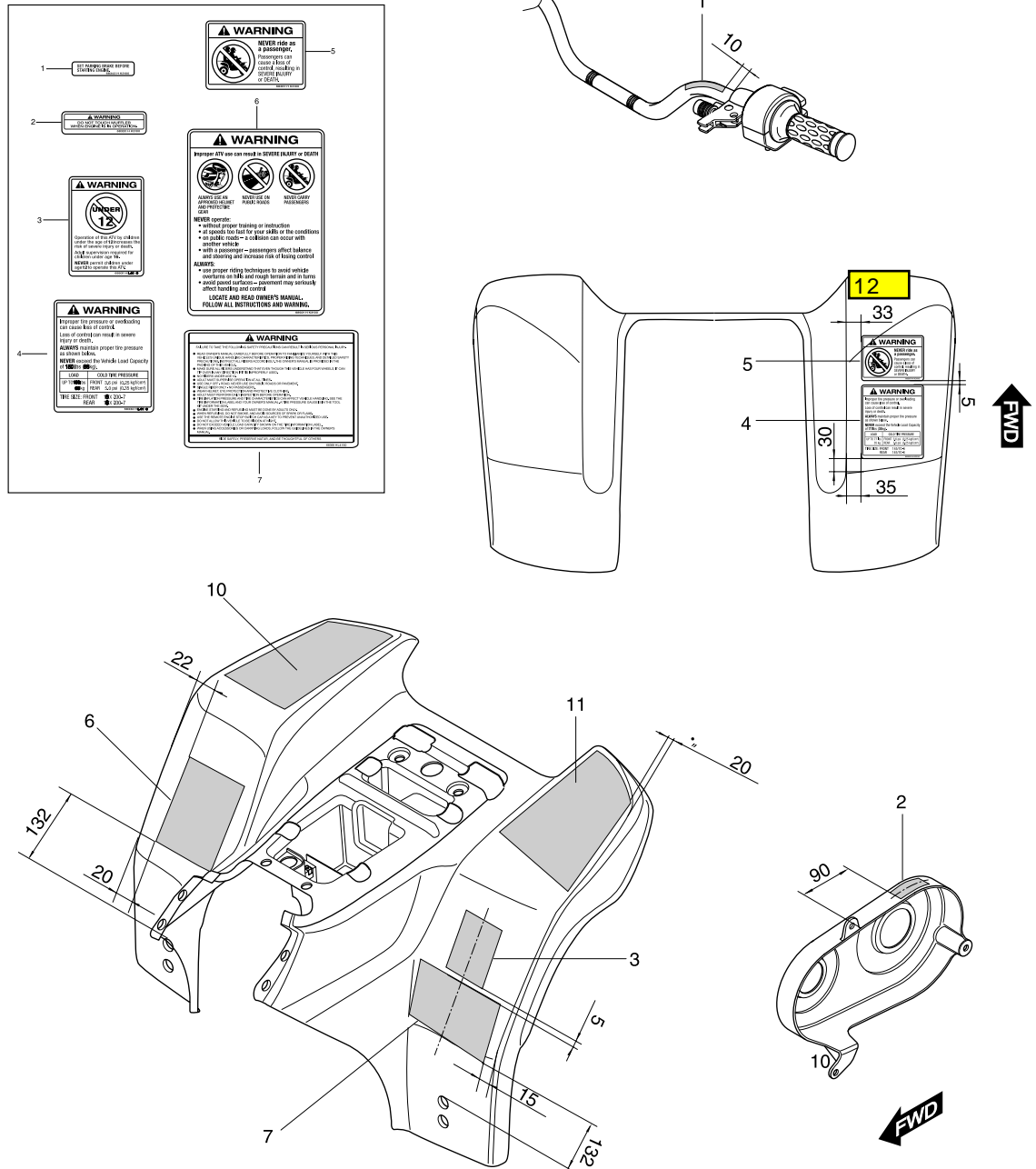


FIG 34. LABEL

REF. PARTS NO. NO. RST01	DESCRIPTION	USAGE (PCS)	REMARKS	REC.Q'TY (PCS)
1	68343HK3100	WARNING,parking brake		1
2	68320HK3100	LABEL,chain case		1
3	68931HL4150	LABEL, AGE(6/12)		1
4	68332HL4150	LABEL,tire air pressure		1
5	68367HK3100	LABEL,no passenger		1
6	68921HK3100	LABEL,general warning		1
7	68366HL4150	LABEL,warning		1
10	68134HP4300A0C	TAPE, fender RR RH		1
11	68136HP4300A0C	TAPE, fender RR LH		1
12	68500HP4350PL	LABEL, back gear		1

FIG 35

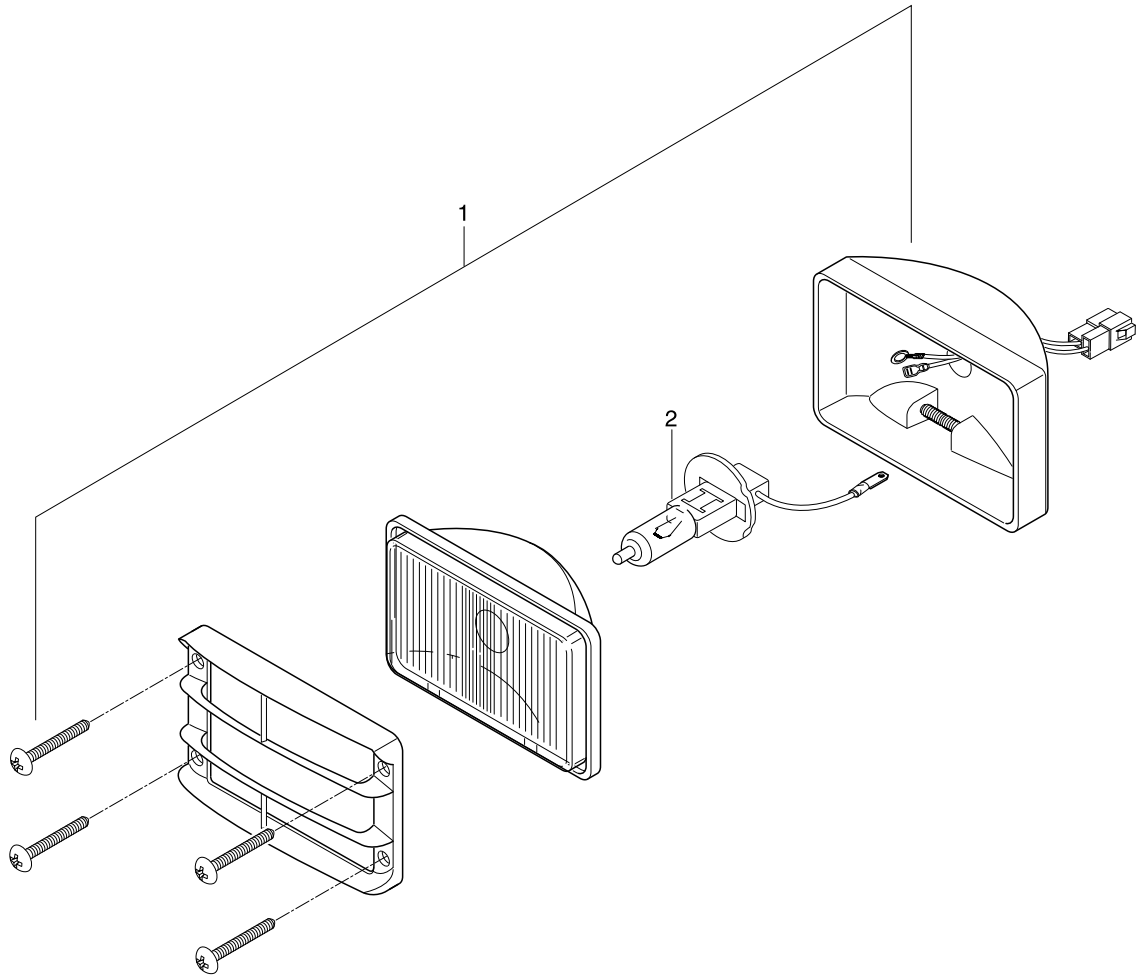
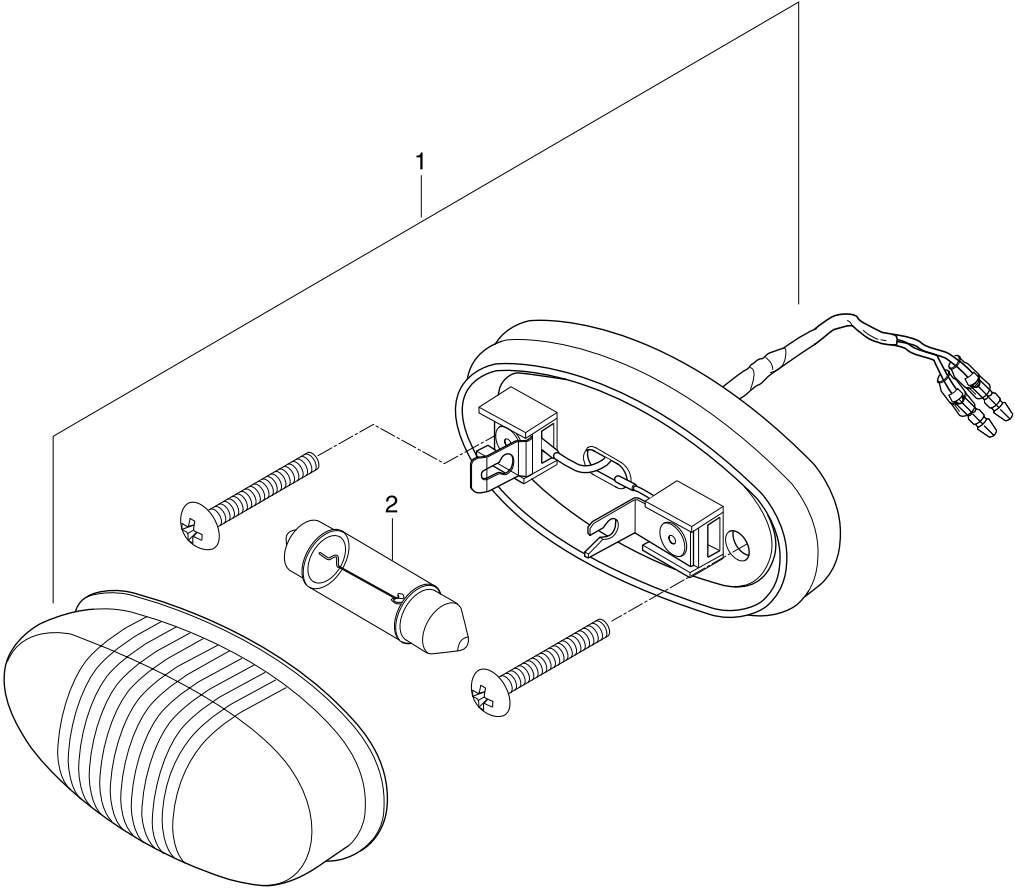


FIG 35. HEAD LAMP

REF. PARTS NO. NO. RST01	DESCRIPTION	USAGE (PCS)	REMARKS	REC.Q'TY (PCS)
1	35100HL2302	HEAD LAMP ASS'Y		1
2	09471H12104	BULB, head lamp (12v, 35W)		1

FIG 36



FWD

FIG 36. REAR COMBINATION

REF. PARTS NO. NO. RST01	DESCRIPTION	USAGE (PCS)	REMARKS	REC.Q'TY (PCS)
1	35710HL2300	LAMP ASS'Y, tail		1
2	09471H12213	BULB, tail lamp (12V, 5W)		1